

# Inca Pro 30 (remote blower version) Built - In Collection

a fusion of power and style

## Pro Series

- professional-style insert
- fits custom hoods 30" wide and up
- stainless steel finish
- 900 or 1200 cfm remote blower
- 2 halogen lights
- variable speed control
- integrated control panel
- stainless steel baffle filters
- built-in mounting system
- sloped front and sides
- 10" round duct



# FABER

### Size/Color/Model #

30 Remote Stainless	630003952
900 cfm Remote Blower	630001732
1200 cfm Remote Blower	610000007

Finally, a high-powered insert that looks as great as it performs. The Inca Pro 30 remote insert, with a choice of 900 or 1200 cfm remote blower and stylish baffle filter system, offers an all-in-one-box solution for custom ventilating.



**a** Inca Pro 30 can be used with  
**c** custom hoods 30" wide and up.  
**c** Choose either a custom liner or  
**e** our ProLiner designed for 36"  
**s** wide installations.

### Liners

Create a perfectly-sealed, non-combustible perimeter around the Inca Pro. Depth adjustable from 21" - 25".

ProLiner 36 Stainless 620000301



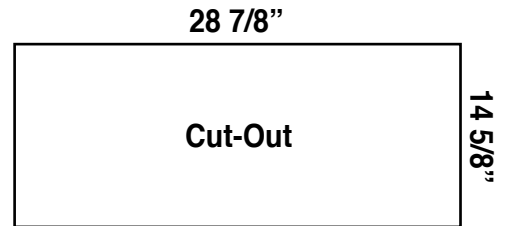
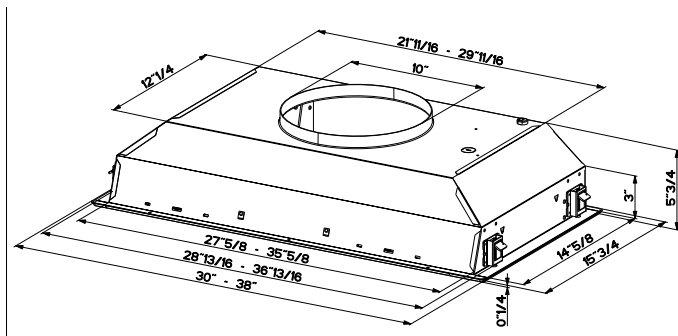
### Remote Wall Control

Provides easy access at your finger tips to the rangehood light and speed controls by allowing you to install the control panel at another location of your choice

Remote Wall Control Switch 620000542

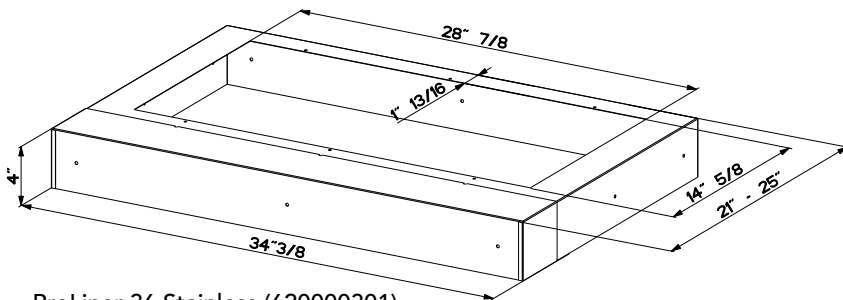


## Dimensional Diagrams



### Liners

Create a perfectly-sealed, non-combustible perimeter around the Inca Pro 30. Designed for 36" wide installations. Depth adjustable from 21" - 25"



ProLiner 36 Stainless (620000301)  
designed for 36" wide installations

**Pre-Planning Your Installation** - Important: Consult the installation instructions before you begin installing this rangehood. The recommended height to install this hood off the cooktop is a minimum of 30" for maximum effectiveness. Also consult the cooktop manufacturer's recommendation.

**Pre-Planning Your Ductwork** - Important: Consult the installation instructions before you begin installing this rangehood.

Use one 10" round duct run.

Make your ductrun as straight and short as possible. The ductrun should not exceed 55 equivalent feet if ducted with the required minimum of 10" round duct. Count 45° angles as 3 feet, 90° elbows as 5 feet, and 90° flat elbows as 12 feet.

**For best results, use no more than three 90° elbows. Make sure that there is a minimum of 24" of straight duct between elbows if more than one is used. Do not install two elbows together. If you must elbow right away, do it as far away from the hood's exhaust opening as possible.**

**WARNING!** Product specifications are subject to change without notification. Consult the installation instructions before you begin installing this rangehood.

Rev.06/08