

# Nova

C L A S S I C

a tradition in canopy hoods

- wall canopy rangehood
- classic styling
- 600 cfm
- 2 halogen lights
- variable speed control
- disappearing control panel
- dishwasher safe grease filters
- convertible to ductless
- adjustable mounting system
- sone range: 3.5 - 6.5
- 3 1/4" x 10" duct



*The Nova's classic design will bring harmony and style to your kitchen. Corners and edges are rounded for clean design and safety.*



Size/Color/Model #

30 Stainless	6032412
36 Stainless	6032409

a c c e s s o r i e s	<b>24" High Backsplash</b>	
	24" high, mounts to the wall beneath the rangehood for a coordinated look	
	30 x 24 Stainless	6098835
	36 x 24 Stainless	6098815
	<b>30" High Backsplash</b>	
	30" high, mounts to the wall beneath the rangehood for a coordinated look	
	30 x 30 Stainless	62000095
	36 x 30 Stainless	62000096

<b>Wire Rack</b>	
Includes attachments for mounting to cabinets on both sides	
30 Chrome	6099970
36 Chrome	6095040

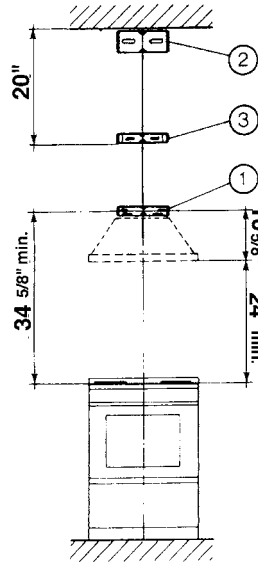
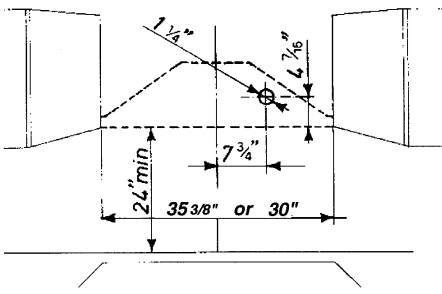
<b>Wire Rack Hanger Kit</b>	
For mounting wire rack to back wall if there are no cabinets to attach rack to	
Chrome	6099920

<b>High Ceiling Chimney Kit</b>	
One 40" upper chimney to replace 20" upper chimney that came with hood	
Stainless	6099757

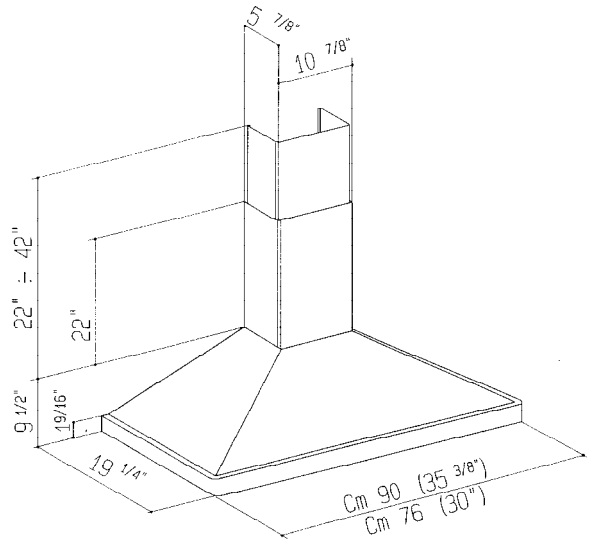
<b>Ductless Conversion Kit</b>	
Includes: • Lower Chimney with holes for ducting • Ductless Diverter • Vent Grates • Two Charcoal Filters	
Stainless	6097110

**Replacement Charcoal Filters 6093034**

# Electrical Knockout & Hardware Mounting Diagrams

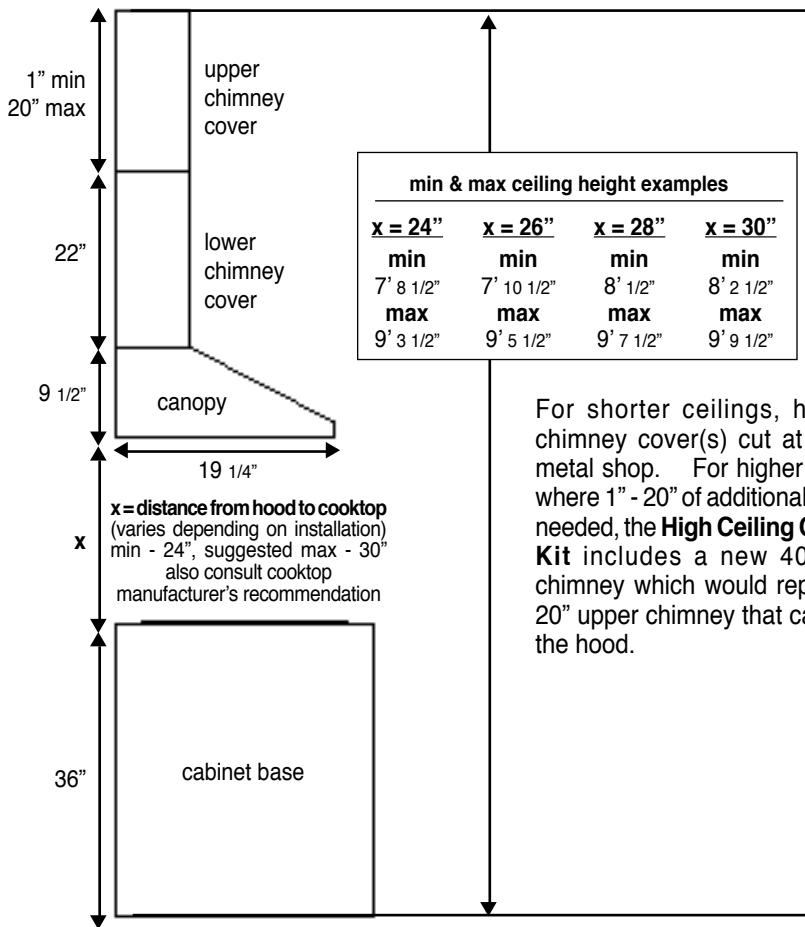


# Dimensional Diagram



**Pre-Planning Your Installation** - Important: Consult the installation instructions before you begin installing this rangehood.

The Nova chimneys are adjustable and designed to meet varying ceiling heights. The chimneys can be adjusted for ceilings between 7' 8 1/2" and 9' 9 1/2" depending on the distance between the bottom of the hood and the cooktop (**distance x in diagram below**).



For shorter ceilings, have the chimney cover(s) cut at a sheet metal shop. For higher ceilings, where 1" - 20" of additional height is needed, the **High Ceiling Chimney Kit** includes a new 40" upper chimney which would replace the 20" upper chimney that came with the hood.

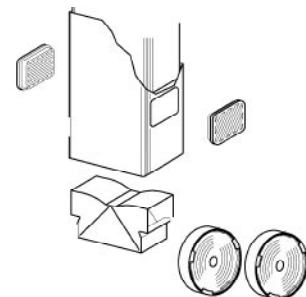
**Pre-Planning Your Ductwork** - Important: Consult the installation instructions before you begin installing this rangehood.

Make your ductrun as straight and short as possible. The ductrun should not exceed 35 equivalent feet if ducted with 3 1/4" by 10" rectangular duct. Count 45° angles as 3 feet, 90° elbows as 5 feet, and 90° flat elbows as 12 feet.

For best results, use no more than three 90° elbows. Make sure that there is a **minimum of 24"** of straight duct between elbows if more than one is used. **Do not install two elbows together.** If you must elbow right away, do it as **far away** from the hood's exhaust opening as possible.

## Ductless Installations

For installations where ductwork is impossible or highly impractical, a **Ductless Conversion Kit** is available. Charcoal filters, which attach to the blower assembly, absorb smoke and odors. A ductless diverter directs the air out to a lower chimney with vent grates cut into the sides.



**WARNING!** Product specifications are subject to change without notification. Consult the installation instructions before you begin installing this rangehood.