

Pro Magnum

a professional performer

Professional Collection

- wall canopy rangehood
- professional styling
- 3 chimney options
- 600 cfm for 30" & 36"
- 1200 cfm for 48"
- 3 halogen lights for 30" & 36"
- 4 halogen lights for 48"
- 3 speed control panel
- stainless steel baffle filters
- convertible to ductless with a kit*
- top or direct rear venting
- built-in mounting system
- sone range: 4.5 - 7.0
- 3 1/4" x 10" duct for 30" & 36"
- 2 - 3 1/4" x 10" ducts for 48"

* it is highly recommended that professional style cooking always be vented to the outside.



Size/Color/Model

30 Stainless	6059890
36 Stainless	6059891
48 Stainless	6059892

a Duct Transition Kit

c For 48" model only, transitions two 3 1/4" x 10" openings to one 10" round opening

c Galvanized Steel 6000002

e Replacement Filters 6093034

s For recirculating installations, high quality, heavy duty filters ensure the removal of smoke and odors from the kitchen. For 48" model, you must order two of part #6093034, one kit for each motor. There isn't a ductless kit available for 48" hood.



s Ductless Vent Grate Kit

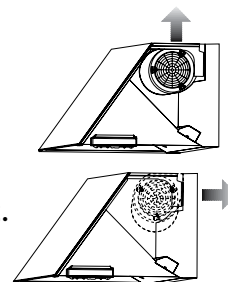
i A 4" high stainless steel vent grate which is installed below the cabinet to recirculate the air back into the kitchen when ducting outside is impossible or impractical. Includes the stainless grate, installation hardware and **charcoal filters**

Size / Model

30" / DUCTGRT30
36" / DUCTGRT36



The Pro Magnum offers a good value in the professional ventilation category. Top or direct rear venting and three chimney options make the Pro Magnum the most versatile and easy to install Pro hood on the market.



Note: The Pro Magnum comes standard WITHOUT A CHIMNEY. A telescopic chimney kit or full width duct cover is available separately.



Telescopic Chimney Cover

24" wide, extends to accommodate 8 - 9 foot ceilings

24 Stainless 6097336



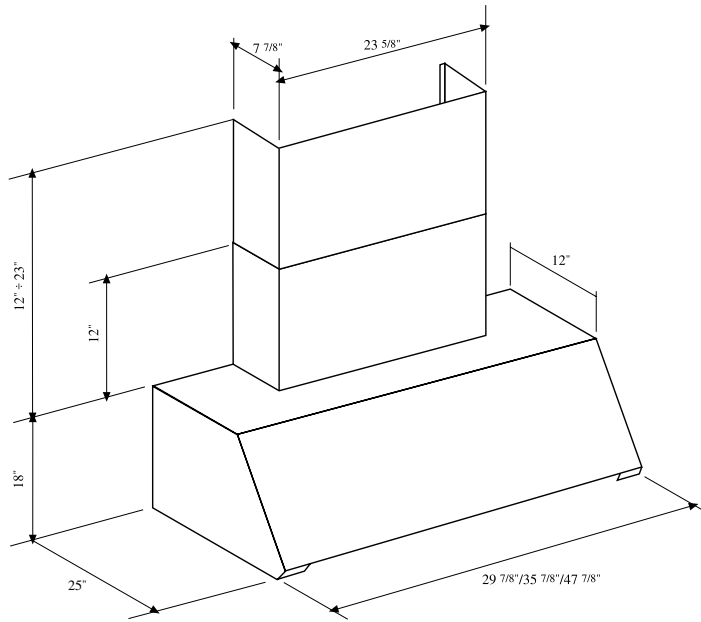
Full Width Duct Cover

12" high, extends full width of the hood

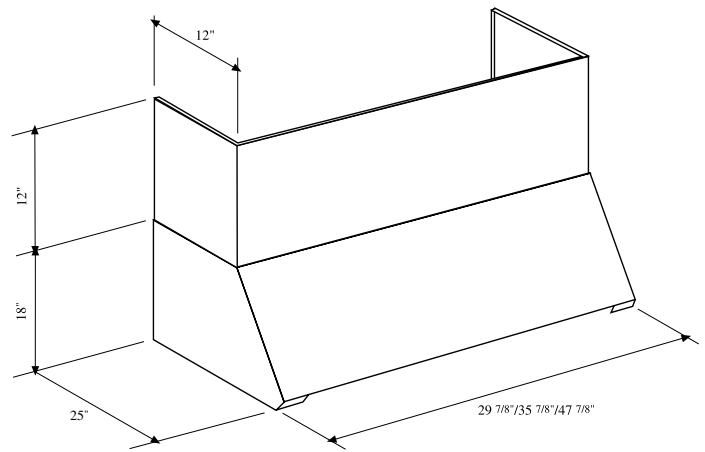
30 Stainless	6097337
36 Stainless	6097338
48 Stainless	6097339



Dimensional Diagrams



WITH TELESCOPIC CHIMNEY KIT

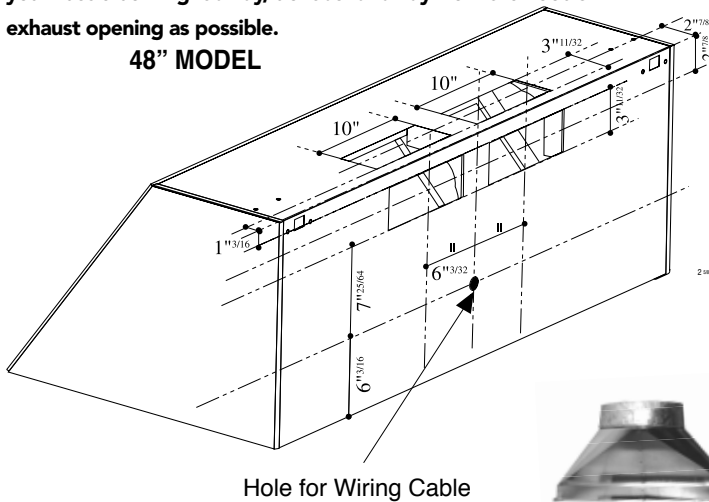


WITH FULL WIDTH DUCT COVER

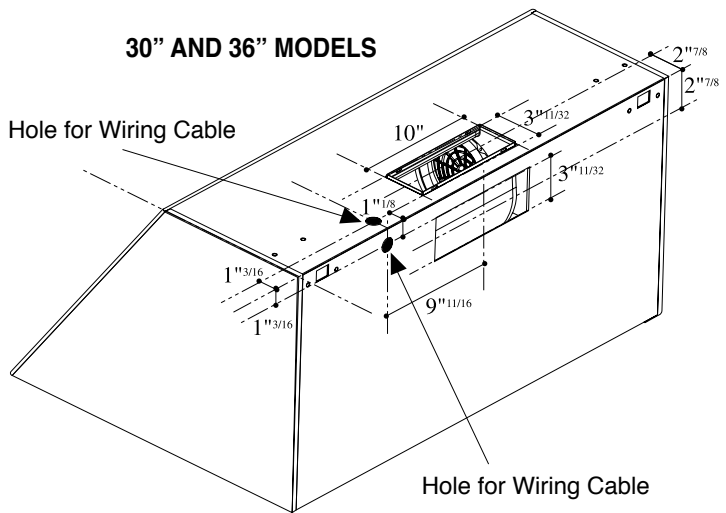
Pre-Planning Your Ductwork - Important: Consult the installation instructions before you begin installing this rangehood.

The Pro Magnum can be vented to the top or directly out the back. Make your ductrun as straight and short as possible. The ductrun should not exceed 35 equivalent feet if ducted with 3 1/4" by 10" rectangular duct or 55 equivalent feet if ducted with 10" round ductwork (when using Duct Transition Kit 6000002 for 48" model only). Count 45° angles as 3 feet, 90° elbows as 5 feet, and 90° flat elbows as 12 feet.

For best results, use no more than three 90° elbows. Make sure that there is a minimum of 24" of straight duct between elbows if more than one is used. Do not install two elbows together. If you must elbow right away, do it as far away from the hood's exhaust opening as possible.

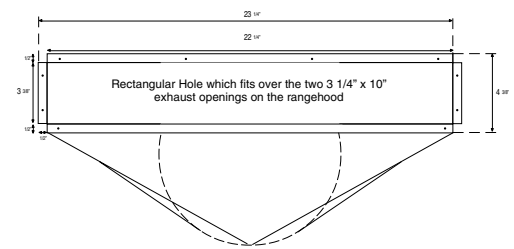
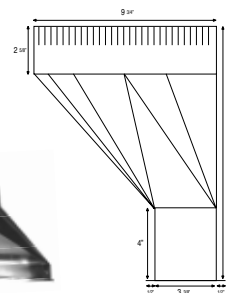


48" MODEL



30" AND 36" MODELS

OPTIONAL DUCT TRANSITION KIT DIMENSIONS (48" MODEL ONLY)



For 48" model, use two 3 1/4" by 10" rectangular duct runs or use the optional Duct Transition Kit shown here. This kit cannot be used with the Telescopic Chimney Cover because it is too large to fit behind the cover. The Duct Transition Kit will fit behind the Full Width Duct Cover.