

Remote Blower 1200 CFM

for use with Remote Blower version hoods

- aluminum construction
- roof or wall mount
- 1200 cfm
- variable speed control
- 10" round duct



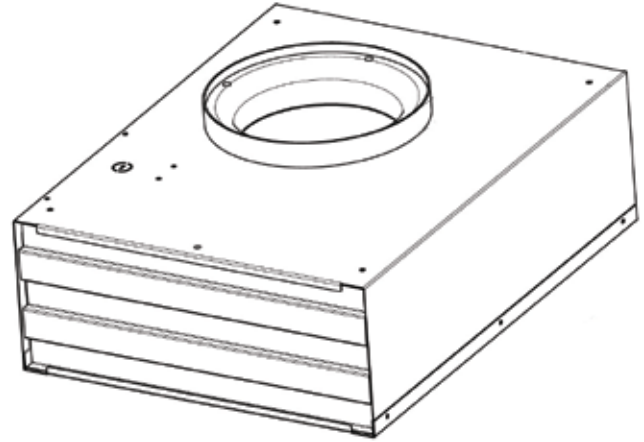
Size

1200 CFM



Model #

610000007



install this side of the fan
facing an unoccupied space

For use with the following models:

30 Inca Pro RB 630003952

38 Inca Pro RB 630003953

READ THE INSTALLATION INSTRUCTIONS FOR BOTH THE REMOTE BLOWER AND THE RANGEHOOD SYSTEM BEFORE INSTALLING EITHER PRODUCT.

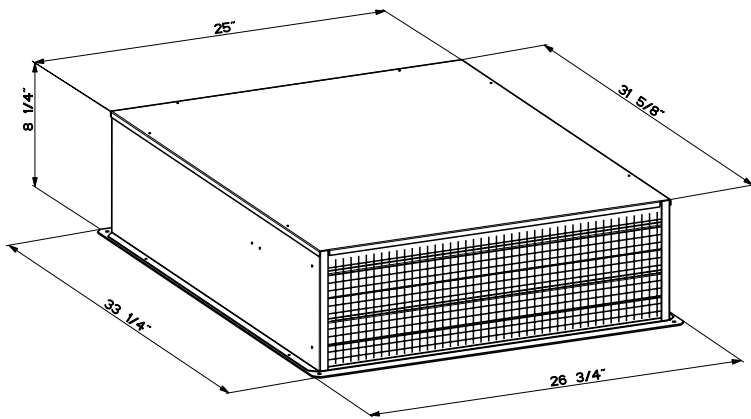


Venting Requirements

up to 55 feet for 10" round ductwork - count 90° elbows as 5 feet and 45° elbows as 3 feet. Duct length is given as a general reference only. For a longer duct run, or smaller duct system, contact a qualified and trained duct installer. Check with local codes for makeup air requirements, if any. It is recommended that you use round duct instead of rectangular duct, especially if elbows are required. If rectangular duct is required, it should be transitioned to 10" (25.4 cm) round duct as soon as possible.

For best performance, use no more than three 90° elbows. If more than one elbow is used, make sure that there is a minimum of 24 inches of straight duct between any two elbows. Do not install two elbows together.

Dimensional Diagram



Electrical Requirements

A 120-volt, 60-Hz, AC-only supply wired for 15 amp service is required. The blower motor must be connected with copper wire only. The remote blower must be connected to the downdraft vent system wiring as described in the downdraft vent system instructions for connecting the remote blower motor wiring. Flexible armored or nonmetallic cable must be used. A U.L./CSA-listed strain relief must be provided at each end of the power supply cable. Wire sizes must conform to the requirements of the National Electrical Code ANSI/NFPA 70 — latest edition* or Canadian Electrical Code, C22.1 and C22.2 No. 113-M1984 (or latest edition),** and all local codes and ordinances. 14 gauge wire (minimum) is recommended.

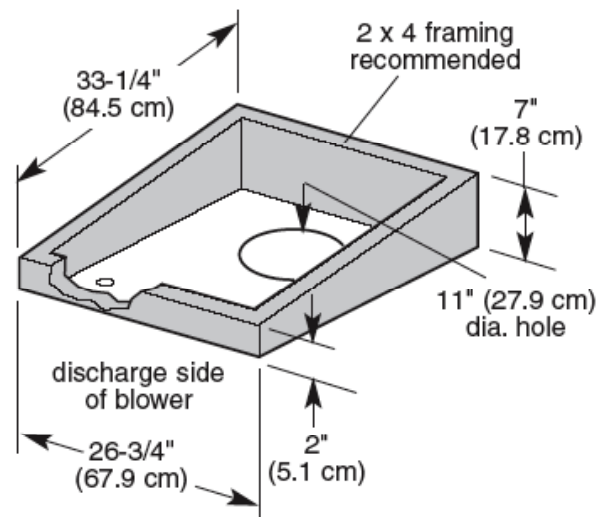
Choosing a Location

WALL: Choose a location on an outside wall where no wall studs, wires, pipes, etc. run through the opening area. A minimum distance of 24" (61 cm) from remote blower to ground may be required depending on local code. Make sure to leave room for anticipated snowfall in your region.

SLOPED ROOF: Choose location on rear slope of roof that minimizes vent run. Avoid obstacles such as TV leads, electric lines, etc. If remote blower top is level with roof peak, it will not be seen from street.

FLAT ROOF: Build a sloping base that will mount the remote blower at a minimum pitch of 2-1/2" (6.4 cm). Weatherproof the base as required. Make sure that the discharge end of the remote blower faces away from the direction of prevailing winds.

Sloping Base - Build for Flat Roofs Only



Cut-out Dimensions

Wall Mounted

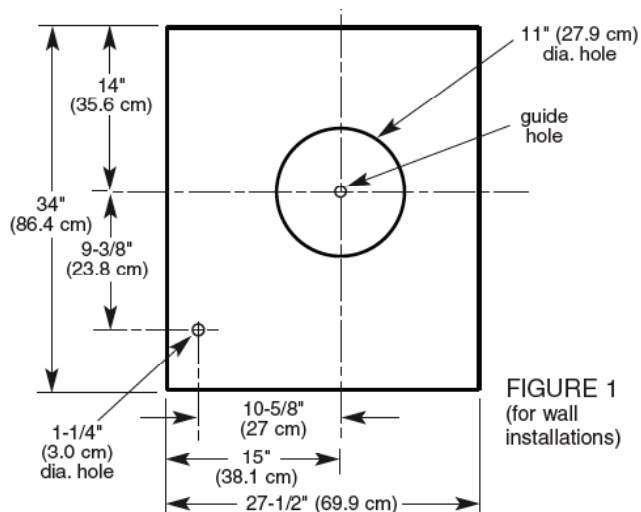


FIGURE 1
(for wall installations)

Roof Mounted

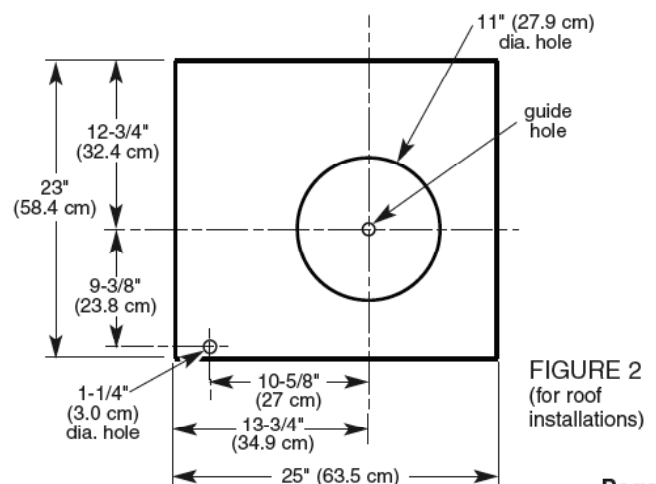


FIGURE 2
(for roof installations)

WARNING! Product specifications are subject to change without notification. Consult the installation instructions for both the remote blower and the ventilation system before you begin installing this rangehood.

Rev. 05/10