

Remote Blower 900 CFM

for use with Remote Blower version hoods

- aluminum construction
- roof or wall mount
- 900 cfm
- variable speed control
- 10" round duct



Size	Model #
900 CFM	630001732

For use with the following models:

30 Scirocco	6058030
36 Scirocco	6058031
30 Inca Pro RB	630003952
38 Inca Pro RB	630003953

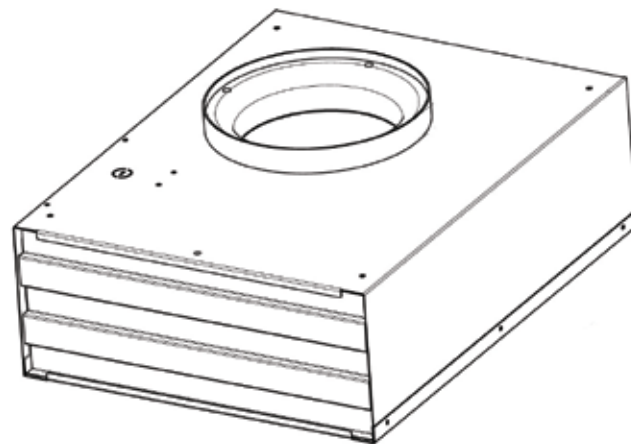
READ THE INSTALLATION INSTRUCTIONS FOR BOTH THE REMOTE BLOWER AND THE RANGEHOOD SYSTEM BEFORE INSTALLING EITHER PRODUCT.

Venting Requirements

up to 55 feet for 10" round ductwork - count 90° elbows as 5 feet and 45° elbows as 3 feet.

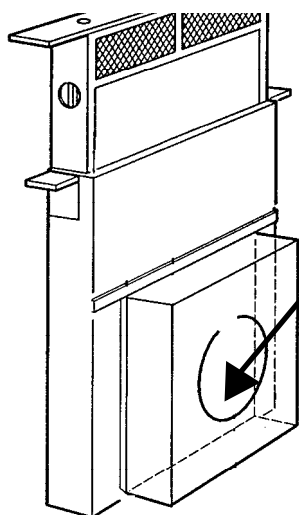
Duct length is given as a general reference only. For a longer duct run, or smaller duct system, contact a qualified and trained duct installer. Check with local codes for makeup air requirements, if any. It is recommended that you use round duct instead of rectangular duct, especially if elbows are required. If rectangular duct is required, it should be transitioned to 10" (25.4 cm) round duct as soon as possible.

For best performance, use no more than three 90° elbows. If more than one elbow is used, make sure that there is a minimum of 24 inches of straight duct between any two elbows. Do not install two elbows together.



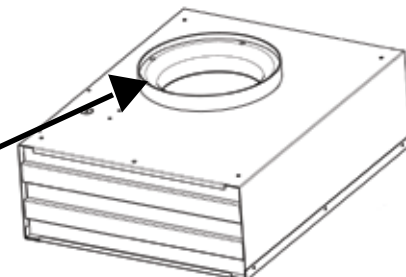
install this side of the fan facing an unoccupied space

FABER

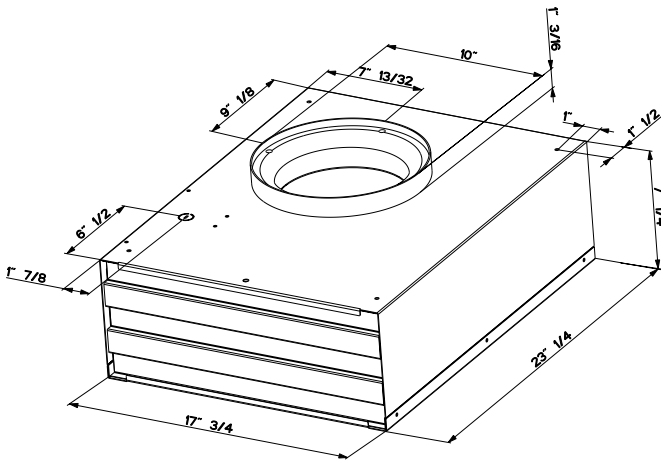


Special Instructions for the Scirocco

A black plastic duct collar plate (not pictured) provided with the remote blower attaches to the front of the downdraft plenum. The 10" (25.4 cm) round duct system attaches to this duct collar plate and continues to the 10" collar already installed on the remote blower.



Dimensional Diagram

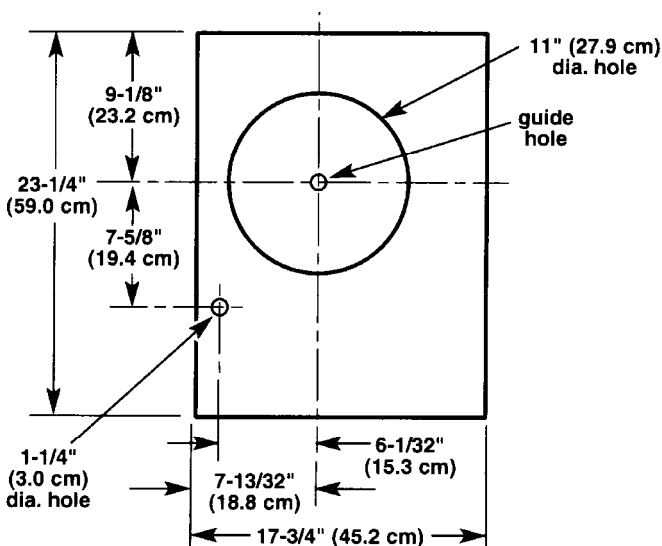


Electrical Requirements

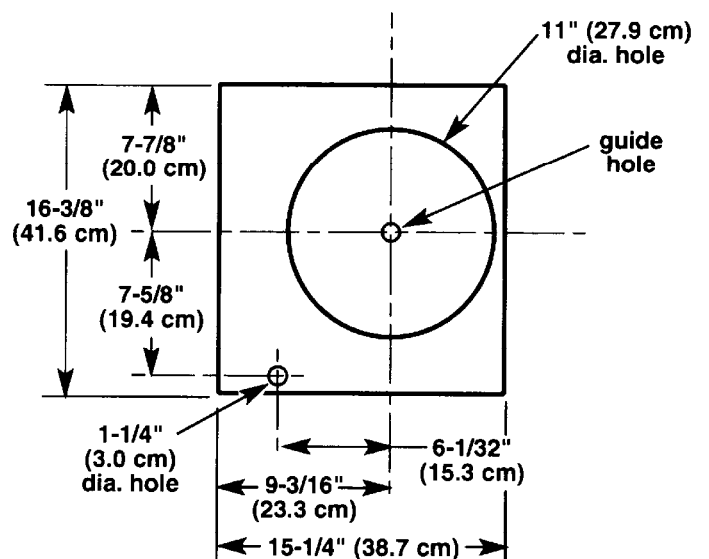
A 120-volt, 60-Hz, AC-only supply wired for 15 amp service is required. The blower motor must be connected with copper wire only. The remote blower must be connected to the downdraft vent system wiring as described in the downdraft vent system instructions for connecting the remote blower motor wiring. Flexible armored or nonmetallic cable must be used. A U.L./CSA-listed strain relief must be provided at each end of the power supply cable. Wire sizes must conform to the requirements of the National Electrical Code ANSI/NFPA 70 – latest edition* or Canadian Electrical Code, C22.1 and C22.2 No. 113-M1984 (or latest edition),** and all local codes and ordinances. 14 gauge wire (minimum) is recommended.

Cut-out Dimensions

Wall Mounted



Roof Mounted

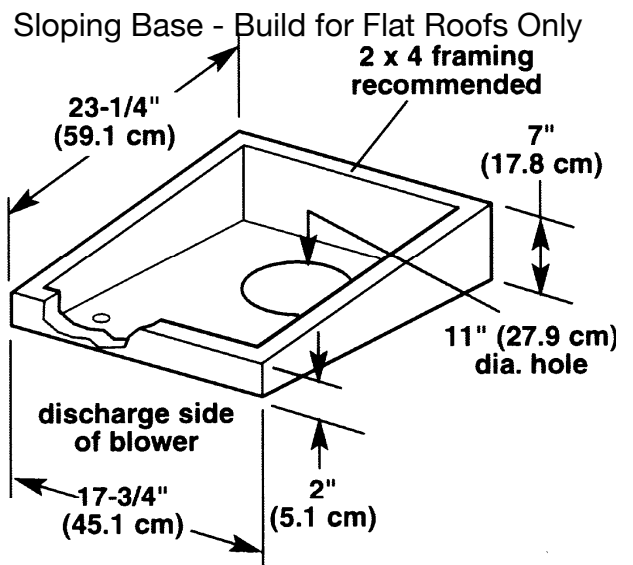


Choosing a Location

WALL: Choose a location on an outside wall where no wall studs, wires, pipes, etc. run through the opening area. A minimum distance of 24" (61 cm) from remote blower to ground may be required depending on local code. Make sure to leave room for anticipated snowfall in your region.

SLOPED ROOF: Choose location on rear slope of roof that minimizes vent run. Avoid obstacles such as TV leads, electric lines, etc. If remote blower top is level with roof peak, it will not be seen from street.

FLAT ROOF: Build a sloping base that will mount the remote blower at a minimum pitch of 2-1/2" (6.4 cm). Weatherproof the base as required. Make sure that the discharge end of the remote blower faces away from the direction of prevailing winds.



WARNING! Product specifications are subject to change without notification. Consult the installation instructions for both the remote blower and the ventilation system before you begin installing this rangehood.