

Synthesis

a value alternative in canopy hoods

Decorative Collection

- wall canopy rangehood
- traditional styling
- 600 cfm or 300 cfm
- 3 speed LED electronic controls
- 10 minute intensive speed setting
- 2 halogen lights
- integrated control panel
- dishwasher safe grease filters
- convertible to ductless
- adjustable mounting system
- 6" round duct



Size/Color/Model

600 cfm models

30 Stainless	SYNT30SS
36 Stainless	SYNT36SS

300 cfm models

30 Stainless	SYNT30SS300
36 Stainless	SYNT36SS300

FABER

ON AIR. SINCE 1955

Designed to offer a high-end look without the high-end price tag, the Synthesis offers a chimney style rangehood for the price-conscious customer. Traditional styling, standard features, and solid performance make the Synthesis a great value in canopy rangehoods.

a High Ceiling Chimney Kit

c One 40" upper chimney to replace 16 3/8" upper chimney that came with hood

c Stainless HIGHSYNT

s Ductless Conversion Kit

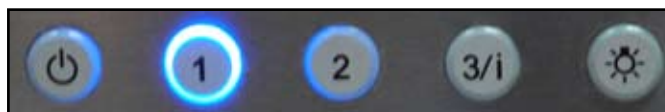
s Includes: • Lower Chimney with holes for ducting • Ductless Diverter • Vent Grates • Two Charcoal Filters

o Stainless DUCTSYNT

i Replacement Charcoal

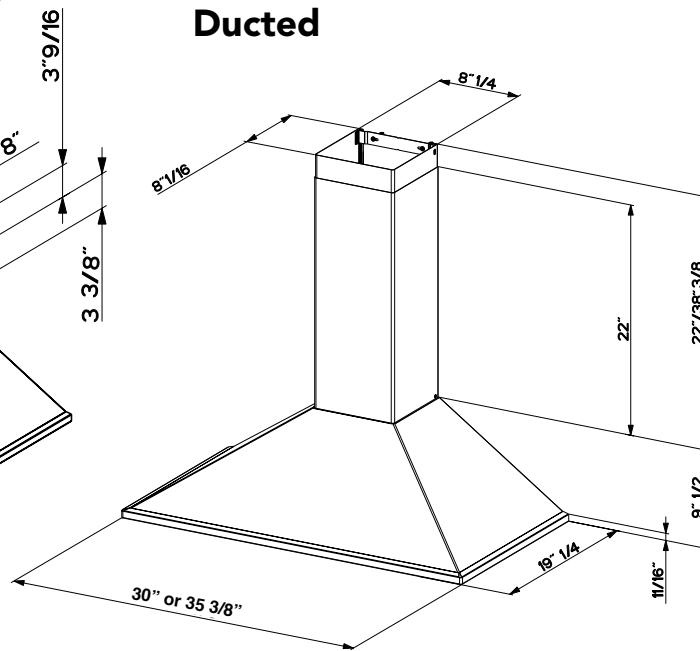
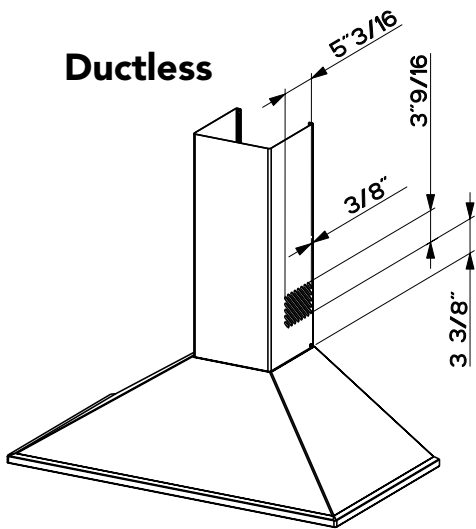
e Filter FILTER1

s

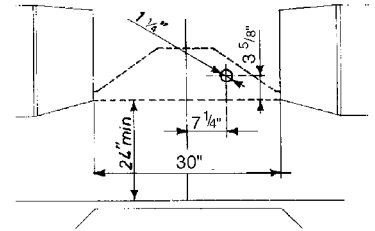


New backlit electronic controls with a blue LED light to indicate the current speed and lighting on/off

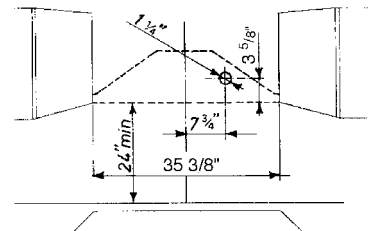
Dimensional Diagrams & Electrical Knockouts



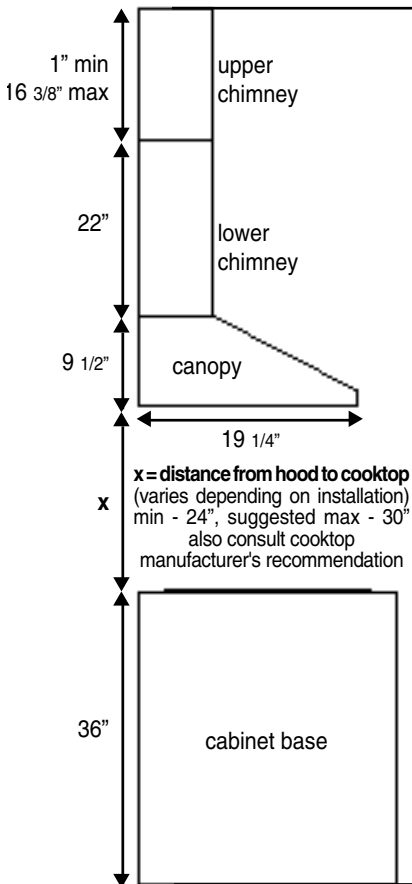
30" Model



36" Model



Pre-Planning Your Installation - Important: Consult the installation instructions before you begin installing this rangehood.



The Synthesis chimneys are adjustable and designed to meet varying ceiling heights. The chimneys can be adjusted for ceilings between 7' 8 1/2" and 9' 5 7/8" depending on the distance between the bottom of the hood and the cooktop (distance x in left diagram).

min & max ceiling height examples			
x = 24"	x = 26"	x = 28"	x = 30"
min	min	min	min
7' 8 1/2"	7' 10 1/2"	8' 1 1/2"	8' 2 1/2"
max	max	max	max
8' 11 7/8"	9' 1 7/8"	9' 3 7/8"	9' 5 7/8"

For shorter ceilings, have the chimney cover(s) cut at a sheet metal shop. For higher ceiling installations, the **High Ceiling Chimney Kit** includes a new 40" upper chimney which would replace the 16 3/8" upper chimney that came with the hood.

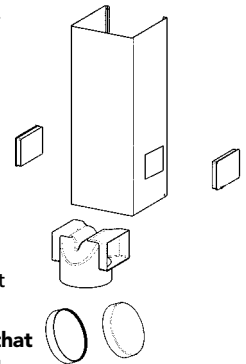
Make your ductrun as straight and short as possible. The ductrun should not exceed 35 equivalent feet if ducted with the required minimum of 6" round duct. Count 45° angles as 3 feet, 90° elbows as 5 feet, and 90° flat elbows as 12 feet.

For best results, use no more than three 90° elbows. Make sure that there is a minimum of 24" of straight duct between elbows if more than one is used. Do not install two elbows together. If you must elbow right away, do it as far away from the hood's exhaust opening as possible.

Ductless Installations*

For installations where ductwork is impossible or highly impractical, a **Ductless Conversion Kit** is available. A charcoal filter, which attaches under the blower assembly, absorbs smoke and odors. A ductless diverter assembly directs the air out to a lower chimney with vent grates cut into the sides.

*** it is highly recommended that professional style cooking always be vented to the outside.**



WARNING! Product specifications are subject to change without notification. Consult the installation instructions before you begin installing this rangehood.