

Cristal 24 SS - Slide Out Hood

powerful, practical, efficient



ON AIR. SINCE 1955



For a streamlined look in the kitchen, the Cristal 24 is your integrated solution. The Cristal 24 has a Stainless Steel pull-out visor which slides in, flush with your cabinets, tucking the hood away. For total integration, the front strip can be replaced with wood to match your cabinets, hiding the hood completely.

Model #	Size Color	Performance Range	Sound Levels
CRIS24SS	24 SS	100 - 300 CFM	2.0 - 4.0 sones



Feature Chart

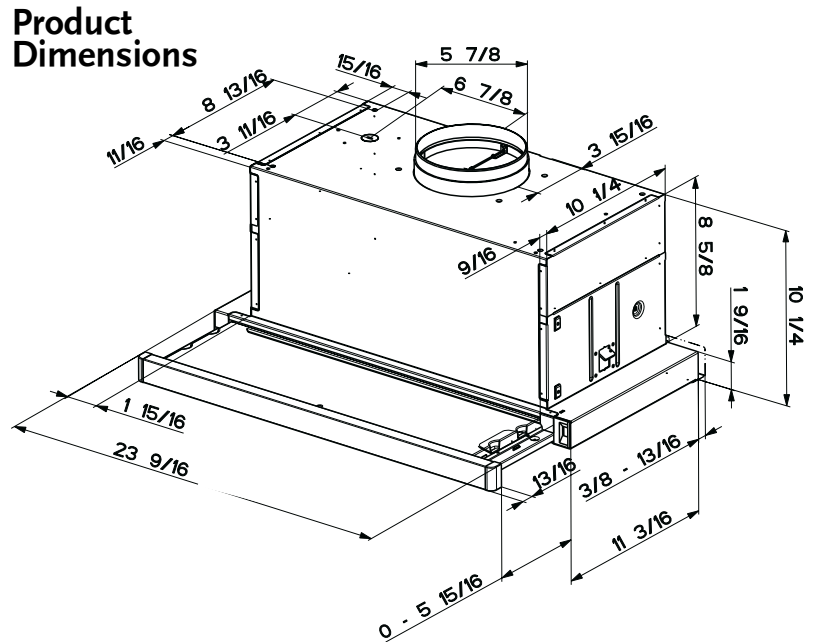
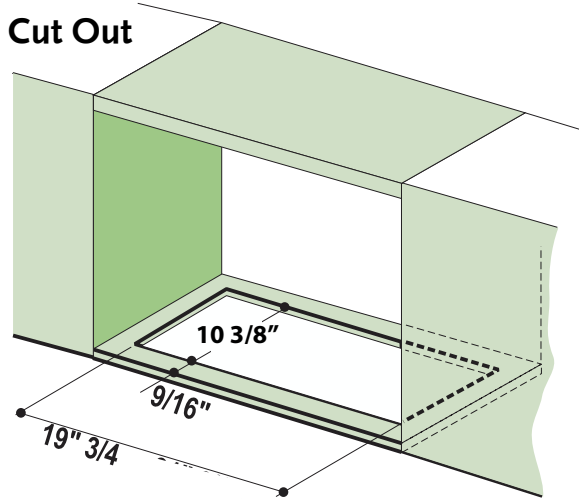
Cabinet Cut Out	19 3/4" (W) x 10 3/8" (D)
Convertible to Recirculating	Yes - charcoal kit needed, need air return back into the kitchen out of the cabinet
Controls	3 Speed Slider
Lighting	2 X 20 (W) Halogen
Ducting Top	6" Round
Ducting Direct Rear Vent	N / A
Grease Filters	dishwasher safe mesh
Auto On / Off	Yes - fan / lights turn on when pulled out
Integrate front panel	Yes - Use your own custom wood front
Built In Mounting Hardware	Yes - EasySnap Mounting Clips
AC Input	120 V - 60 hz
AC Power	Max 308 W at 2.8 A
Green Energy Saver Mode	Yes
Annual Electricity Costs	\$2.35 / Year *

* Note – ran 30 minutes a day on low speed with the lights on, 365 days, using the North American average of 12.2 cents per kWh.

p.o. box 435 • Wayland, MA 01778 • tel: (508) 358-5353 • fax: (508) 358-5730 • e-mail: info@faberonline.com • www.faberonline.com

Dimensional Diagrams

(see installation instructions for more information)



Note - When replacing the front stainless steel panel with your own custom panel, the dimensions are: 23 9/16" wide x 1 15/32" high x 13/16" deep

ACCESSORIES

Charcoal Filters # FILTER1

For recirculating installations, high quality, heavy duty filters ensure the removal of smoke and odors from the kitchen. Some ductwork is required to exhaust the unit out of the cabinet.

