

Inca Pro Plus Range Hood

versatile pro liner and hood



All in one Professional Liner from Faber. Available in three widths and two depths depending on your needs. With the flexibility of four blower options, the Inca Pro Plus offers the power, style and functionality you need for today's custom pro hood applications.

Model #	Size Color	Performance Range	Sound Levels
PICK A SIZE			
INPL3619SS	36" W X 19" D		
INPL4219SS	42" W X 19" D		
INPL4819SS	48" W X 19" D		
INPL3622SS	36" W X 22" D		
INPL4822SS	48" W X 22" D		
PICK A BLOWER			
IB300	Internal Blower 300 cfm	60 - 300 cfm	1.0 - 4.0 sones
IB600	Internal Blower 600 cfm	60 - 600 cfm	1.0 - 6.5 sones
IB1200	Internal Blower 1200 cfm	120 - 1,200 cfm	2.0 - 12.0 sones
RB900	Remote Blower 900 cfm	120 - 900 cfm	
RB1200	Remote Blower 1200 cfm	120 - 1,200 cfm	



Feature Chart

Cabinet Cut Out	34 3/4", 40 3/4", 46 3/4" (W) X 19 3/4" OR 22 3/4" (D)
Convertible to Recirculating	Yes - charcoal filter needed, need air return back into kitchen
Controls	Variable Speed Dial
Lighting	2 X 45 (W) Halogen with Dimmer
Ducting Top	6" Round OR 10" Round
Grease Filters	dishwasher safe SS baffle
AC Input	120 V - 60 hz
AC Power (IB300, IB600, IB1200, 900 RB, 1200 RB)	2.7, 3.6, 6.2, 1.9, 2.6 A at 310, 420, 730, 220, 300 W
Annual Electricity Costs	\$5.22 / Year * (600 cfm)

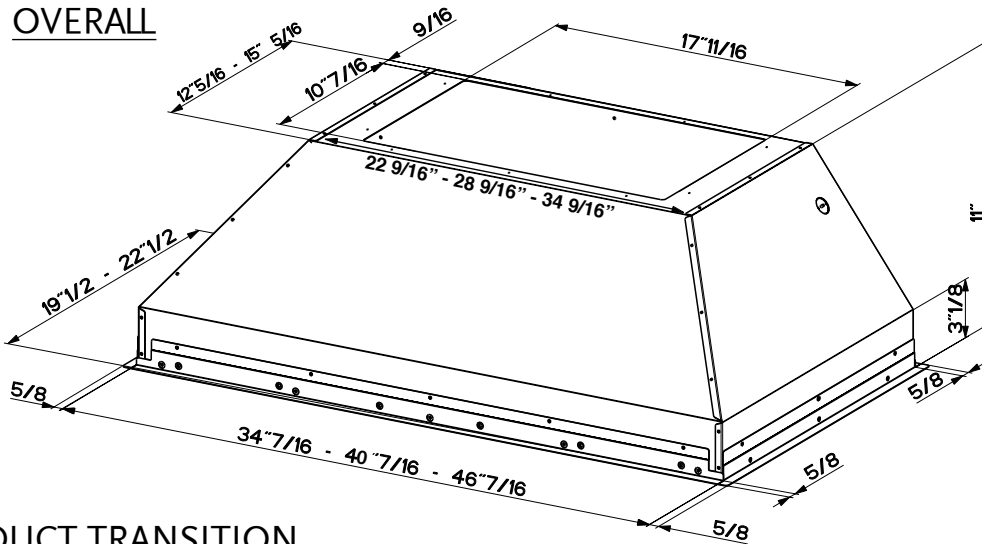
* Note – ran 30 minutes a day on low speed, 365 days, using the North American average of 12.2 cents per kWh.

p.o. box 435 • Wayland, MA 01778 • tel: (508) 358-5353 • fax: (508) 358-5730 • e-mail: info@faberonline.com • www.faberonline.com

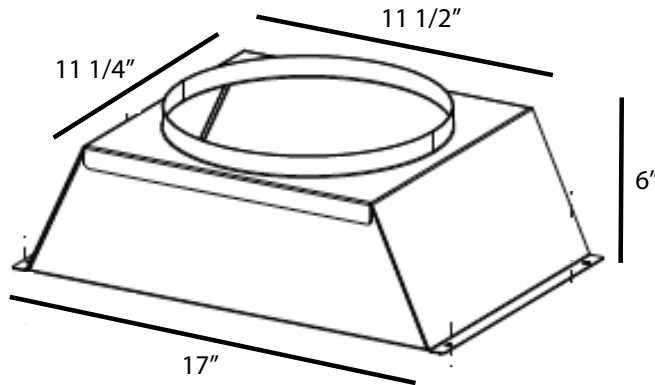
Dimensional Diagrams

(see installation instructions for more information)

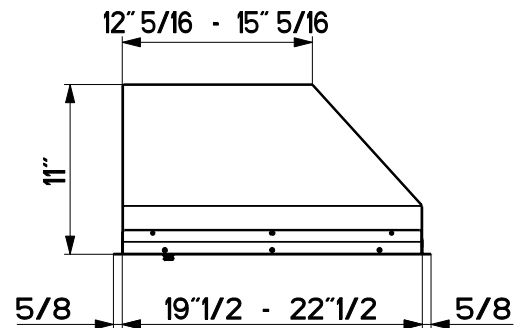
OVERALL



DUCT TRANSITION



SIDE



ACCESSORIES

Charcoal Filters

FILTER1



For recirculating installations, high quality, heavy duty filters ensure the removal of smoke and odors from the kitchen. Some ductwork is required to exhaust the unit out of the cabinet.

10" In-line blower Kit

#INLBKIT



Use to connect a separately purchased in-line blower or previously installed remote blower to the range hood. Includes a duct plate with a 10" round duct collar and a built in wiring box

Universal Make-Up Air Damper

Satisfies current make-up air requirements, this kit uses an air switch above the hood to activate the make-up air damper to open and bring fresh air into the home whenever the hood fan is operating and then close tightly when the hood is off. The CFM level is not reduced by using this kit.

MUDAMPER6 / MUDAMPER8 / MUDAMPER10

(6")

(8")

(10")



WARNING! Product specifications are subject to change without notification. Consult the installation instructions before you begin installing this rangehood.