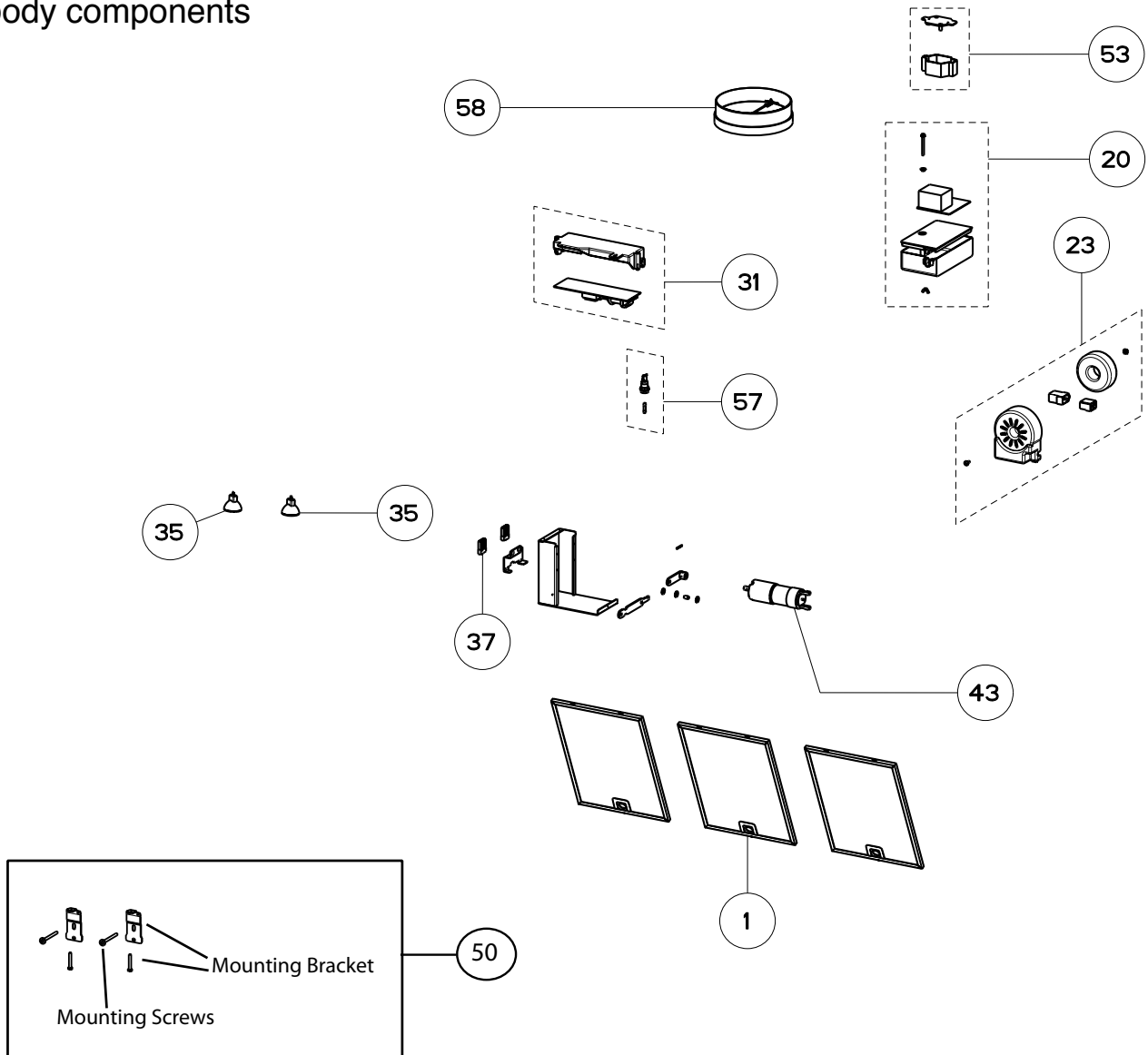


MIRROR

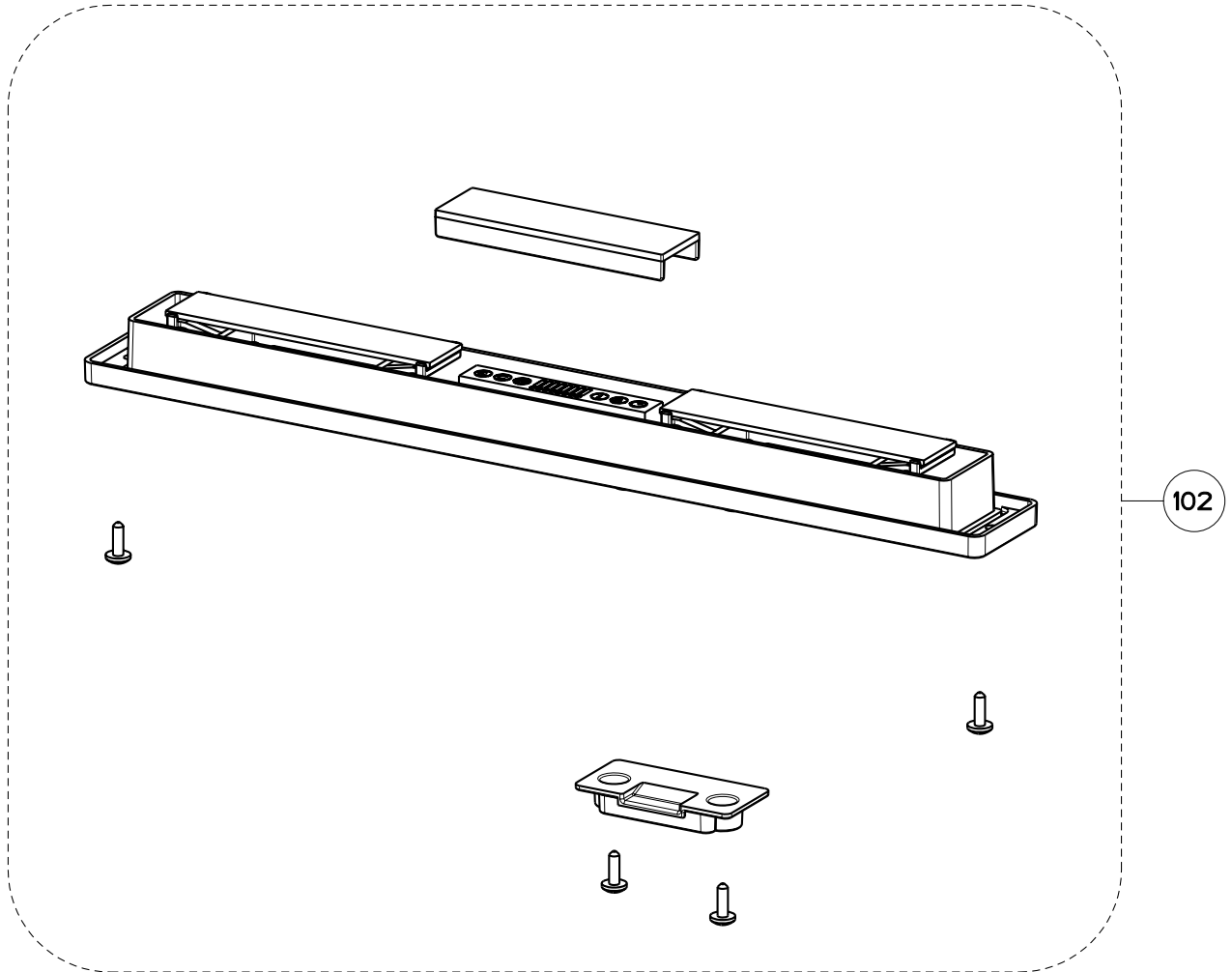
body components



	Model Number	MIRR36BK / 110.0166.583	
Key	Description	36	Qty Req.
1	Grease filter	133.0166.535	3
20	Panel Gearmotor Kit	133.0071.766	1
23	Transformer	133.0052.516	1
31	Control Board	133.0071.767	1
35	Halogen Lamp	133.0046.418	2
37	Microswitch	133.0036.581	2
43	Panel Gear motor	133.0062.489	1
50	Mounting Kit	133.0084.484	1
53	Fuse Cover	133.0061.944	2
57	Fuse	133.0052.184	1
58	Damper	133.0055.994	1

MIRROR

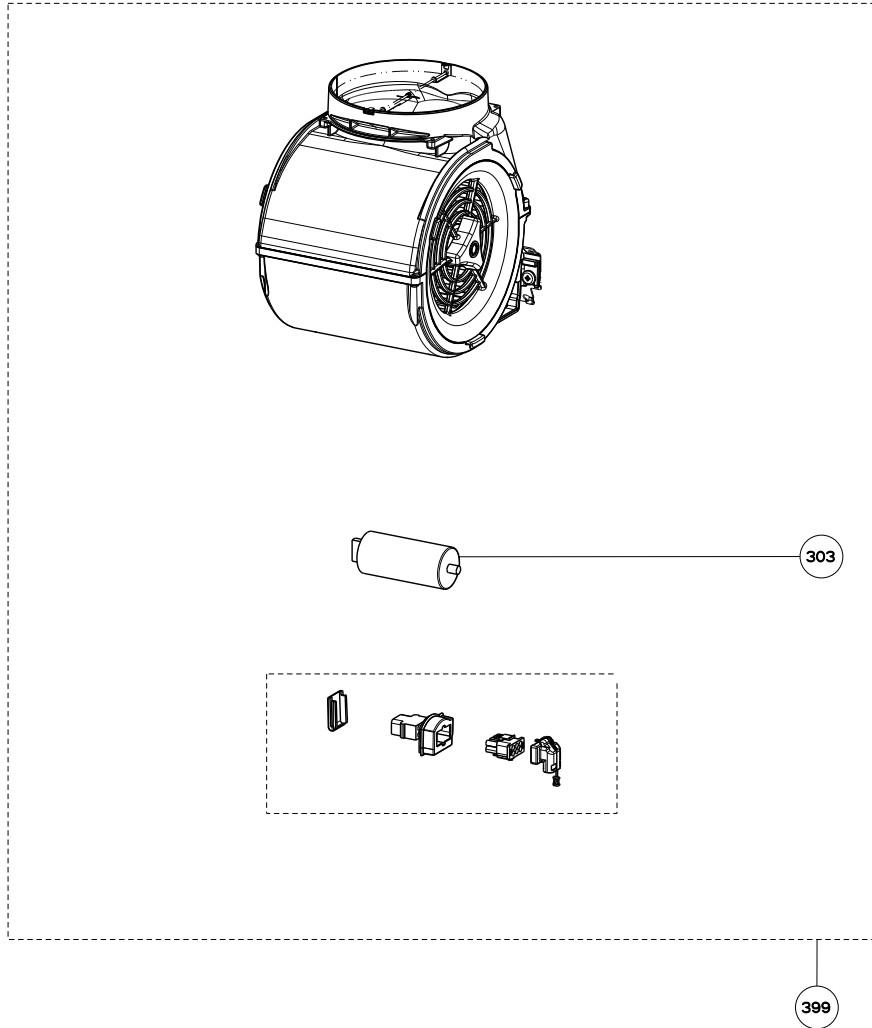
control components



	Model Number	MIRR36BK / 110.0166.583	
Key	Description	36	Qty Req.
102	Switch Control Kit	133.0056.065	1

MIRROR

motor components



	Model Number	MIRR36BK / 110.0166.583	
Key	Description	36	Qty Req.
303	Capacitor	133.0072.893	1
399	motor group	133.0056.182	1