

DIAMANTE ISOLA ISLAND RANGE HOOD



A DIAMOND EDGED DESIGNER CANOPY. A streamlined shape makes the Diamante Isola island range hood a great alternative in canopy hoods. To add sparkle, the corners are angled in a diamond-like cut.



AVAILABLE MODELS

Model #	Size / Color	Motor Class (CFM)	Sound Levels (sones)
DIAMIS36SS	36 Stainless	600 CFM	2.5 - 6.5 sones

KEY FEATURES



Electronic Controls

4 Speed digital electronic controls with LED indicator to show the current speed. Includes two level lighting, 30 minute auto shut off, and 10 minute intensive speed.



Easy Island Mounting System

Island mounting to the ceiling & adjustments made easy with the easy mount system.



Pro Motor

The motor in this hood is surrounded in metal with all metal impellers for top performance



Baffle Grease Filters

Dishwasher safe SS metal filters capture grease and allow for easy clean up in the dishwasher



DIAMANTE ISOLA ISLAND RANGE HOOD

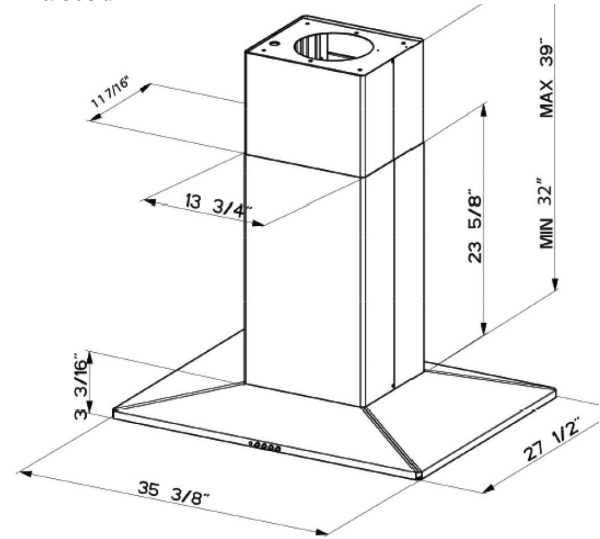


SPECIFICATIONS

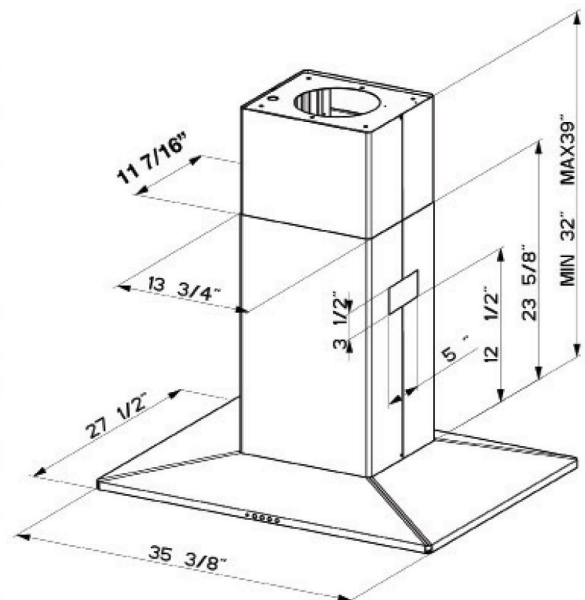
min / max ceiling height	7' 11 3/16" - 9' 3/16"
convertible to ductless / recirculating	yes - kit sold separately
canopy depth / height	27 1/2" d 3 3/16" h
high ceiling kit	yes - reaches up to 10' 3/16" ceilings
controls	4 speed LED digital control
lighting	4 X 20 (W) Halogen + Dimmer
ducting top	6" round
grease filters	dishwasher safe baffle filters
pro motor (metal impellers)	yes
quick island mounting	yes
30 minute auto shut off	yes
silent kit	yes
10 minute intensive speed	yes
AC input / AC Power	120 V - 60 hz / Max 410 W at 3.5 A

DIMENSIONS

Ducted



Ductless



PERFORMANCE

SPEED	1	2	3	BOOST
CFM	150	300	450	560
Sones	2.5	4.3	4.5	6.5

ACCESSORIES

FILTER2 -

Charcoal Filter Kit

High quality charcoal filter for use when recirculating the air back into the kitchen. Filters out odor and should be replaced every 6 months.

HIGHDIAMIS -

High Ceiling Kit

One upper chimney to replace the upper chimney included with the hood. Adds 21" to the ceiling height.

DUCTDIAMIS -

Ductless Conversion Kit

Includes: Lower chimney with holes for ducting, ductless diverter assembly, vent grates and charcoal filter.

CFMRED -

CFM Reducer Kit

For use in make up air areas where an under 300 cfm hood is required. This kit reduces the ducting to 5" round and reduces the cfm to under 300.

MUDAMPER6 / MUDAMPER8 -

Universal Make-Up Air Damper

Satisfies make-up air requirements, this kit uses an air switch to activate the make-up air damper to open and bring fresh air into the home when the hood fan is on. It then closes tightly when the hood is off. The CFM level is not reduced with this accessory.



WARNING! Product specifications are subject to change without notification. Consult the installation instructions before you begin installing this range hood

