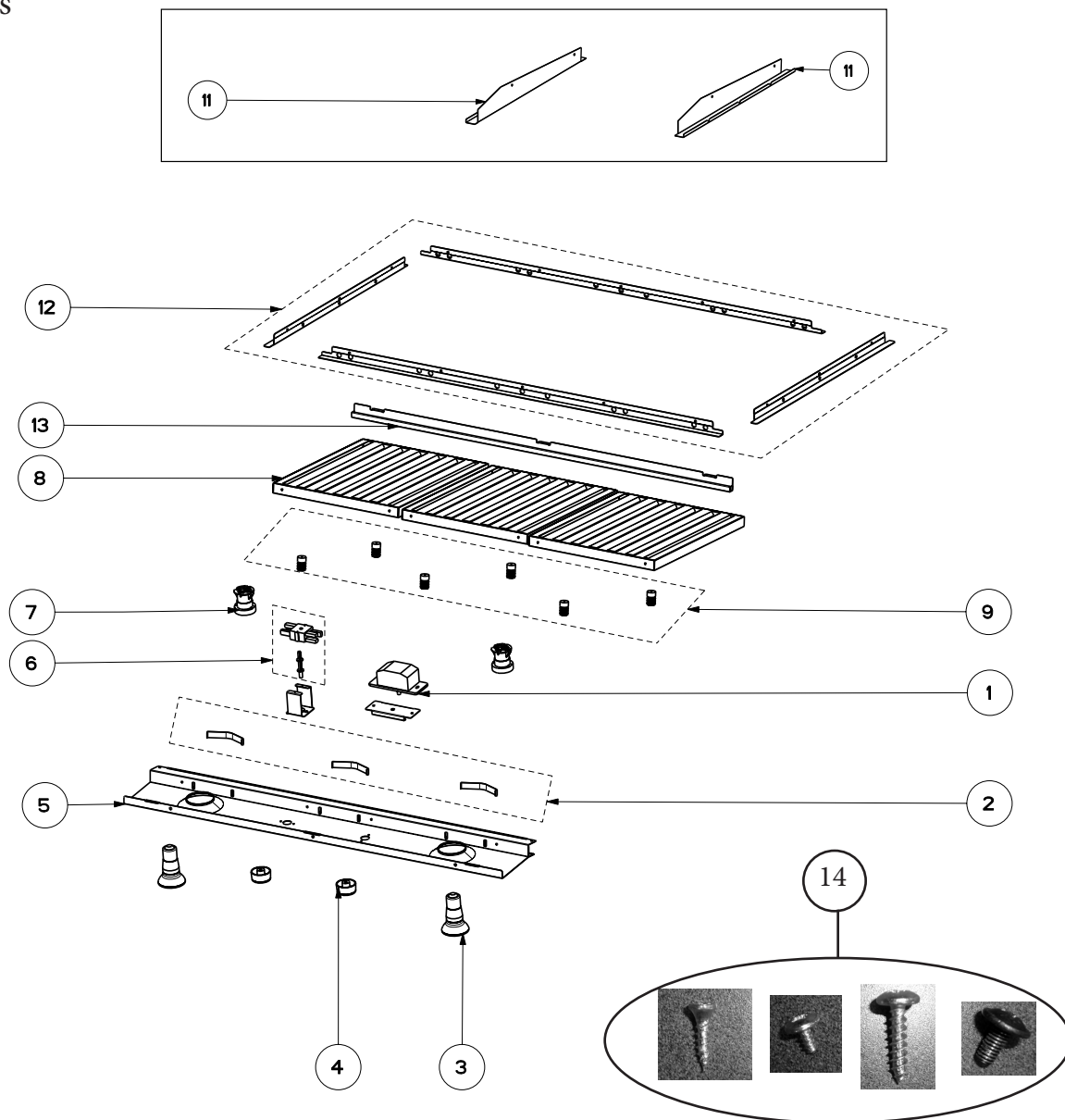


INCA PRO PLUS

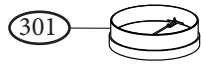
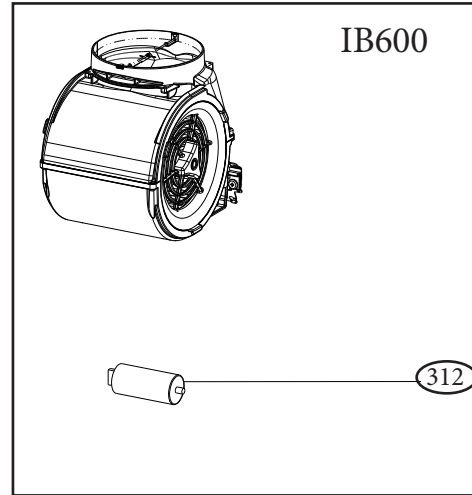
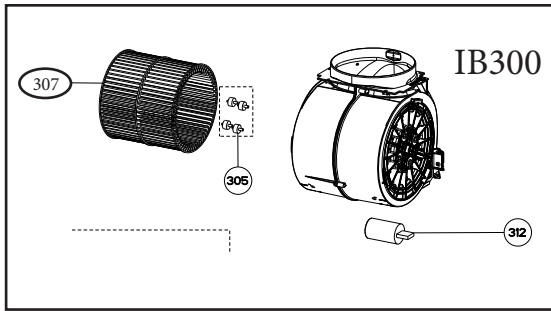
body components



	Model Number	INPL3619SS	INPL3622SS	INPL4219SS	INPL4819SS	INPL4822SS	
Key	Description	36 X19	36 X 22	42 X 19	48 X 19	48 X 22	Qty Req.
1	Variable Speed Switch	133.0176.899	133.0176.899	133.0176.899	133.0176.899	133.0176.899	1
2	Grease Filter Springs	133.0176.900	133.0176.900	133.0176.900	133.0176.900	133.0176.900	1
3	Halogen Bulb	133.0064.354	133.0064.354	133.0064.354	133.0064.354	133.0064.354	2
4	Control Knobs	133.0176.901	133.0176.901	133.0176.901	133.0176.901	133.0176.901	2
5	Light Assembly	133.0176.902	133.0176.902	133.0176.902	133.0178.244	133.0178.244	1
6	Switch Control	133.0176.903	133.0176.903	133.0176.903	133.0176.903	133.0176.903	1
7	Lampholder	133.0064.355	133.0064.355	133.0064.355	133.0064.355	133.0064.355	2
8	Grease filter	133.0176.904	133.0176.904	133.0176.904	133.0176.904	133.0176.904	3 = 36,42 / 4 = 48"
9	Grease Filter knobs	133.0176.905	133.0176.905	133.0176.905	133.0176.905	133.0176.905	3 = 36,42 / 4 = 48"
11	Decorative Side Rails	133.0183.283	133.0183.285	133.0183.284	133.0183.286	133.0183.287	1
12	Trim Kit	133.0183.290	133.0183.298	133.0183.296	133.0183.299	133.0183.300	1
13	Grease Rail	133.0183.288	133.0183.288	133.0183.288	133.0183.289	133.0183.289	1
14	Installation Hardware	133.0183.282	133.0183.282	133.0183.282	133.0183.282	133.0183.282	1

INCA PRO PLUS IB300 / IB600 MOTOR - 1 motor

motor components



306

303

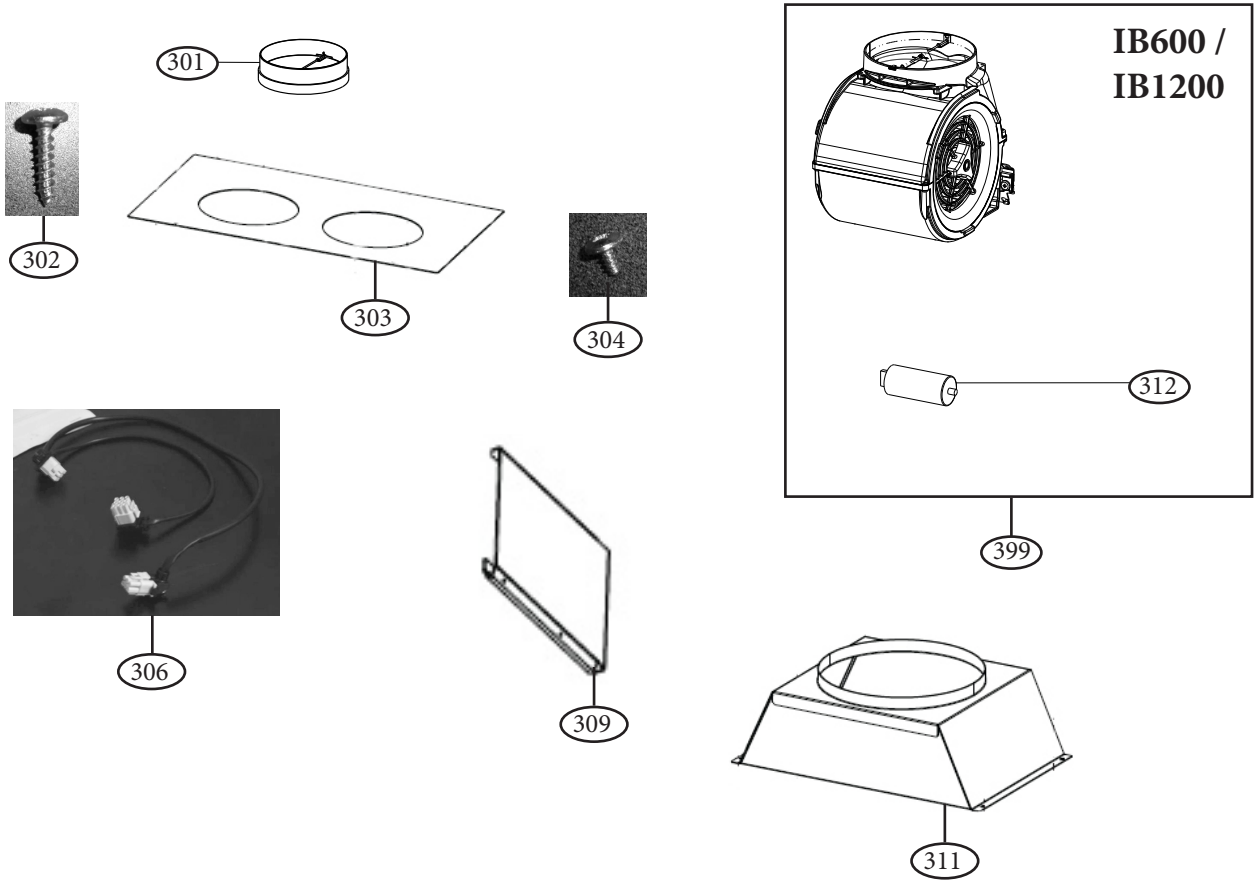
302

304

	Model Number	IB300	IB600	
Key	Description	300 cfm motor	600 cfm motor	Qty Req.
301	Damper	133.0055.994	133.0055.994	1
302	Duct Plate Screws	133.0189.390	133.0189.390	1
303	Duct Plate	133.0189.421	133.0189.421	1
304	Motor Installation Screws	133.0189.422	133.0189.422	1
305	Rubber Motor Mount	133.0051.603		1
306	Control Connector Cable	133.0189.423	133.0189.423	1
307	Impeller	133.0052.519		1
312	Capacitor	133.0060.648	133.0060.648	1
399	Motor Group	133.0052.518	133.0200.468	1

INCA PRO PLUS IB1200 MOTOR - 2 motors

motor components



	Model Number	IB1200	
Key	Description	1200 cfm motor	Qty Req.
301	Damper	133.0055.994	2
302	Duct Plate Screws	133.0189.390	1
303	Duct Plate	133.0189.431	1
304	Motor Installation Screws	133.0189.422	2
306	Control Connector Cable	133.0189.428	1
309	Motor Mounting Plate	133.0189.430	1
311	10" Duct Transition	133.0189.429	1
312	Capacitor	133.0060.648	2
399	Motor Group (replace 1 blower)	133.0200.468	1
399	Motor Group (replace 2 blowers)	133.0200.468	2