

CLASSICA WALL RANGE HOOD



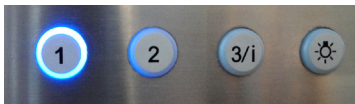
A VALUE ALTERNATIVE IN CANOPY WALL HOODS. DESIGNED TO OFFER A PREMIUM LOOK WITHOUT THE HIGH-END PRICE TAG, THE CLASSICA OFFERS TRADITIONAL STYLING, DESIGNER FEATURES AND SOLID PERFORMANCE THAT MAKE THE CLASSICA A GREAT VALUE IN CANOPY RANGE HOODS.



AVAILABLE MODELS

Model #	Size / Color	Motor Class (CFM)	Sound Levels (sones)
CLAS30	30" Stainless	600 CFM	2.8 - 7.5
CLAS36	36" Stainless	600 CFM	2.8 - 7.5

KEY FEATURES



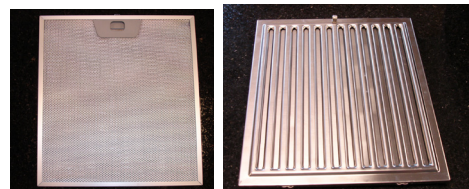
Electronic controls

Backlit electronic controls with a blue LED light to indicate the current speed and lighting on/off.



Ductless Lower chimney

A lower chimney with return air grates on the side is included. Just purchase the ductless kit to complete the ductless installation.



Easy care filters

Easy to clean dishwasher safe mesh filters (included) or dishwasher safe stainless steel baffle (option) with easy latch for effortless removing and replacing for cleaning.

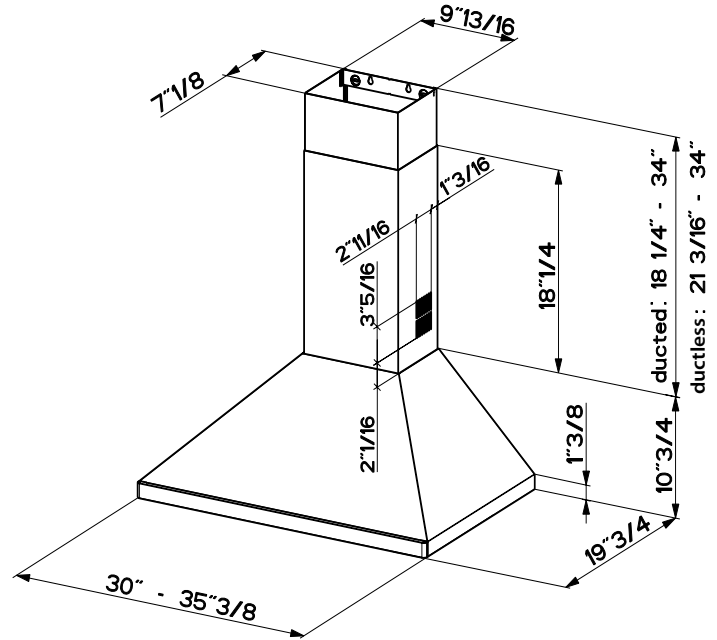
CLASSICA WALL RANGE HOOD



DIMENSIONS

SPECIFICATIONS

min. / max. ceiling height	7' 5" - 9' 2 3/4"
convertible to ductless / recirculating	yes - kit sold separately
canopy depth / height	19" d 10 3/4" h
high ceiling kit	yes - reaches up to 11' 1 7/16" ceilings
controls	4 speed push button w/ blue LED
lighting	2 x 20 (W) halogen
ducting top	6" round
grease filters	dishwasher safe mesh and optional stainless steel kit
10 minute intensive speed	yes
AC input	120 V - 60 hz
AC power	max 370 W 2.1 amps



PERFORMANCE (600 CFM Motor shown)

SPEED	1	2	3	BOOST
CFM	150	300	450	560
sones	2.8	4.3	6.0	7.5

MIN/MAX CHIMNEY HEIGHTS

	DUCTED	RECIRC	HIGH CEILING
Min @ 24" OFF	7' 5"	7' 7 15/16"	9' 7 3/16"
Max @ 30" OFF	9' 2 3/4"	9' 2 3/4"	11' 1 7/16"

ACCESSORIES

FILTER1 -

Charcoal Filter Kit

High quality charcoal filter for use when recirculating the air back into the kitchen. Filters out odor and should be replaced every 6 months.

FILTER1LL -

Long Lasting Charcoal Filter Kit

New washable charcoal filter can be recharged and washed up to 8 times. For use when recirculating the air back into the kitchen. Filters out odor and can last up to 4 years.

HIGHCLAS -

High Ceiling Kit

One 39" upper chimney to replace 15 3/4" upper chimney that comes with the hood.

DUCTCLAS -

Ductless Conversion Kit

To convert the Classica to ductless, this kit includes charcoal filters and a diverter to send the air thru the side grates on the lower chimney.

BAFFLE2 (30") / BAFFLE3 - (36")

Baffle Filter Kit

Upgrade mesh grease filters to stainless baffle grease filters. BAFFLE2 for 30" models, BAFFLE3 for 36" models.

CFMRED -

CFM Reducer Kit*

For use in make up air areas where an under 300 cfm hood is required. This kit reduces the ducting to 5" round and reduces the cfm to under 300.

CFMRED2

CFM Reducer Kit*

For use in make up air environments where an under 400 cfm hood is required. This kit reduces the ducting to 5" round and reduces the cfm from 400 to under.

MUDAMPER6 / MUDAMPER8 -

Universal Make-Up Air Damper

Satisfies make-up air requirements, this kit uses an air switch to activate the make-up air damper to open and bring fresh air into the home when the hood fan is on. It then closes tightly when the hood is off. The CFM level is not reduced with this accessory.



WARNING! Product specifications are subject to change without notification. Consult the installation instructions before you begin installing this range hood. * Check local make up air codes for guidelines.



Imagined in Italy