

BELLA IS. 36" - 42" - 48"

Installation Instructions
Use and Care Information

Instructions d'installation
Utilisez et d'entretien

Instrucciones de instalación
Información de uso y cuidado

BELAIS36SS600-B
BELAIS42SS600-B
BELAIS48SS600

READ AND SAVE THESE INSTRUCTIONS BEFORE YOU START INSTALLING THIS RANGEHOOD

WARNING: - TO REDUCE THE RISK OF A RANGE TOP GREASE FIRE:

- a) Never leave surface units unattended at high settings. Boilovers cause smoking and greasy spillovers that may ignite. Heat oils slowly on low or medium setting.
- b) Always turn hood ON when cooking at high heat or when flambeing food (i.e. Crepes Suzette, Cherries Jubilee, Peppercorn Beef Flambé).
- c) Clean ventilating fans frequently. Grease should not be allowed to accumulate on fan or filter.
- d) Use proper pan size. Always use cookware appropriate for the size of the surface element.

WARNING: - TO REDUCE THE RISK OF INJURY TO PERSONS IN THE EVENT OF A RANGE TOP GREASE FIRE, OBSERVE THE FOLLOWING*:

- a) **SMOTHER FLAMES** with a close-fitting lid, cookie sheet, or metal tray, then turn off the burner. **BE CAREFUL TO PREVENT BURNS.** If the flames do not go out immediately **EVACUATE AND CALL THE FIRE DEPARTMENT.**
- b) **NEVER PICK UP A FLAMING PAN** - You may be burned.
- c) **DO NOT USE WATER**, including wet dishcloths or towels - a violent steam explosion will result.
- d) Use an extinguisher **ONLY** if:
 - 1. You know you have a Class ABC extinguisher, and you already know how to operate it.
 - 2. The fire is small and contained in the area where it started.
 - 3. The fire department is being called.
 - 4. You can fight the fire with your back to an exit.

* Based on "Kitchen Firesafety Tips" published by NFPA

WARNING - TO REDUCE THE RISK OF FIRE OR ELECTRIC SHOCK, do not use this fan with any solid-state speed control device.

WARNING - TO REDUCE THE RISK OF FIRE, ELECTRICAL SHOCK, OR INJURY TO PERSONS, OBSERVE THE FOLLOWING:

- 1. Use this unit only in the manner intended by the manufacturer. If you have any questions, contact the manufacturer.
- 2. Before servicing or cleaning unit, switch power off at service panel and lock the service disconnecting means to prevent power from being switched on accidentally. When the service disconnecting means cannot be locked, securely fasten a prominent warning device, such as a tag, to the service panel.

CAUTION: For General Ventilating Use Only. Do Not Use To Exhaust Hazardous or Explosive Materials and Vapors.

WARNING - TO REDUCE THE RISK OF FIRE, ELECTRICAL SHOCK, OR INJURY TO PERSONS, OBSERVE THE FOLLOWING:

- 1. Installation Work And Electrical Wiring Must Be Done By Qualified Person(s) In Accordance With All Applicable Codes And Standards, Including Fire-Rated Construction.
- 2. Sufficient air is needed for proper combustion and exhausting of gases through the flue (chimney) of fuel burning equipment to prevent backdrafting. Follow the heating equipment manufacturer's guideline and safety standards such as those published by the National Fire Protection Association (NFPA), and the American Society for Heating, Refrigeration and Air Conditioning Engineers (ASHRAE), and the local code authorities.

3. **When cutting or drilling into wall or ceiling, do not damage electrical wiring and other hidden utilities.**
4. **Ducted fans must always be vented to the outdoors.**

ALL WALL AND FLOOR OPENINGS WHERE THE RANGEHOOD IS INSTALLED MUST BE SEALED.

This rangehood requires at least 24" of clearance between the bottom of the rangehood and the cooking surface or countertop. This hood has been approved by UL at this distance from the cooktop.

This minimum clearance may be higher depending on local building codes. For gas cooktops and combination ranges, a minimum of 30" is recommended and may be required.

Overhead cabinets on both sides of this unit must be a minimum of 18" above the cooking surface or countertop. Consult the cooktop or range installation instructions given by the manufacturer before making any cutouts.

MOBILE HOME INSTALLATION The installation of this rangehood must conform to the Manufactured Home Construction and Safety Standards, Title 24 CFR, Part 3280 (formerly Federal Standard for Mobile Home Construction and Safety, Title 24, HUD, Part 280). See Electrical Requirements.

VENTING REQUIREMENTS

Determine which venting method is best for your application. Ductwork can extend either through the wall or the roof.

The length of the ductwork and the number of elbows should be kept to a minimum to provide efficient performance. The size of the ductwork should be uniform. Do not install two elbows together. Use duct tape to seal all joints in the ductwork system. Use caulking to seal exterior wall or floor opening around the cap.

Flexible ductwork is not recommended. Flexible ductwork creates back pressure and air turbulence that greatly reduces performance.

Make sure there is proper clearance within the wall or floor for exhaust duct before making cutouts. Do not cut a joist or stud unless absolutely necessary. If a joist or stud must be cut, then a supporting frame must be constructed.

WARNING - To Reduce The Risk Of Fire, Use Only Metal Ductwork.

CAUTION - To reduce risk of fire and to properly exhaust air, be sure to duct air outside – Do not vent exhaust air into spaces within walls or ceilings or into attics, crawl spaces, or garages.



WARNING

- Venting system **MUST** terminate outside the home.
- **DO NOT** terminate the ductwork in an attic or other enclosed space.
- **DO NOT** use 4" laundry-type wall caps.
- Flexible-type ductwork is not recommended.
- **DO NOT** obstruct the flow of combustion and ventilation air.
- Failure to follow venting requirements may result in a fire.

ELECTRICAL REQUIREMENTS

A 120 volt, 60 Hz AC-only electrical supply is required on a separate 15 amp fused circuit. A time-delay fuse or circuit breaker is recommended. The fuse must be sized per local codes in accordance with the electrical rating of this unit as specified on the serial/rating plate located inside the unit near the field wiring compartment.

ELECTRICAL INSTALLATION WITH WIRING BOX

THIS UNIT MUST BE CONNECTED WITH COPPER WIRE ONLY. Wire sizes must conform to the requirements of the National Electrical Code, ANSI/NFPA 70 - latest edition, and all local codes and ordinances. Wire size and connections must conform with the rating of the appliance. Copies of the standard listed above may be obtained from:

National Fire Protection Association
Batterymarch Park
Quincy, Massachusetts 02269

This appliance should be connected directly to the fused disconnect (or circuit breaker) through flexible, armored or nonmetallic sheathed copper cable. Allow some slack in the cable so the appliance can be moved if servicing is ever necessary. A UL Listed, 1/2" conduit connector must be provided at each end of the power supply cable (at the appliance and at the junction box).

When making the electrical connection, cut a 1 1/4" hole in the wall. A hole cut through wood must be sanded until smooth. A hole through metal must have a grommet.



WARNING

- Electrical ground is required on this rangehood.
- If cold water pipe is interrupted by plastic, nonmetallic gaskets or other materials, DO NOT use for grounding.
- DO NOT ground to a gas pipe.
- DO NOT have a fuse in the neutral or grounding circuit. A fuse in the neutral or grounding circuit could result in electrical shock.
- Check with a qualified electrician if you are in doubt as to whether the rangehood is properly grounded.
- Failure to follow electrical requirements may result in a fire.

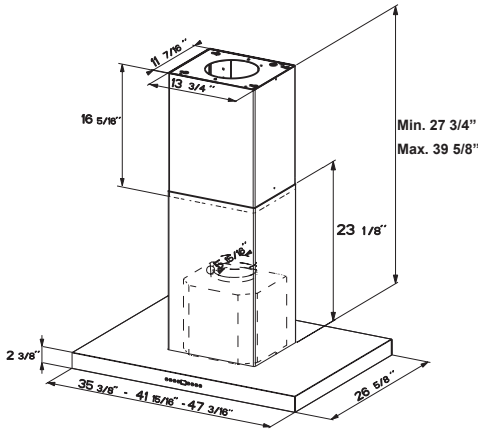
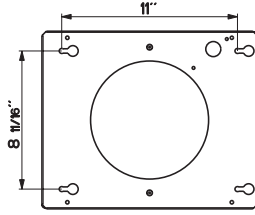
State of California Proposition 65 Warning (US only)

WARNING

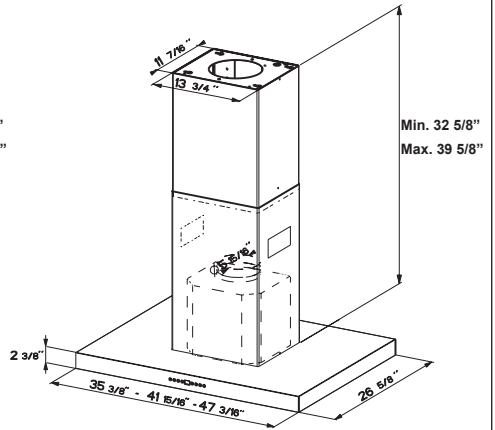
This product contains chemicals known to the State of California to cause cancer and birth defects or other reproductive harm.

For more information go to www.P65Warnings.ca.gov

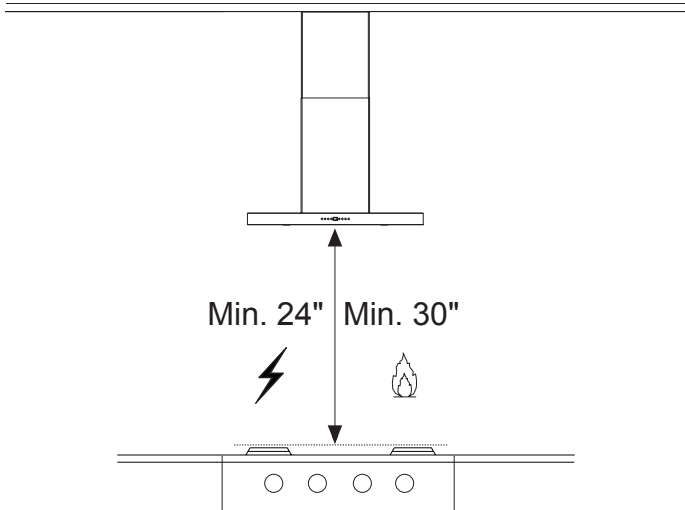
RANGEHOOD DIMENSIONS



Ducted Venting



Non Ducted - Recirculation (DUCT2)

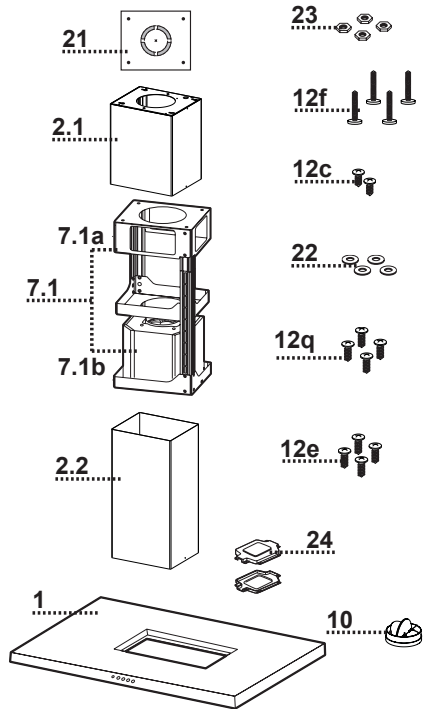


MAIN PARTS

Components

Ref.	Qty.	Product Components
1	1	Hood Body, complete with: Controls, Light, Filters, Blower.
2	1	Telescopic Chimney comprising:
2.1	1	Upper Section
2.2	1	Lower Section
7.1	1	Telescopic frame complete with extractor, consisting of:
7.1a	1	Upper frame
7.1b	1	Lower frame
10	1	Damper \varnothing 5 7/8"
24	1	Junction Box

Ref.	Qty.	Installation Components
12f	4	Screws 1/4" x 3 1/8"
12c	2	Screws 1/8" x 1/4"
12e	4	Screws 1/8" x 3/8"
12q	4	Screws 1/4" x 9/16"
21	1	Drilling template
22	4	1/4" int. dia washers
23	4	1/4" Nuts
Qty.	Documentation	
1	Instruction Manual	



Parts needed

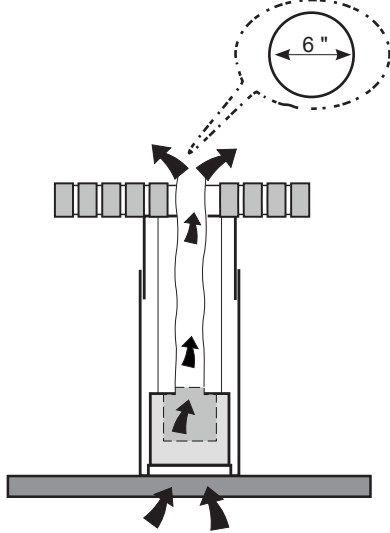
- 6" Round Metal ductwork

Available Accessories

- High Ceiling Kit that replaces the Upper flue. - sku#HIGH2.
- Ductless Kit - Includes Ductless Diverter, Charcoal Filters, Lower chimney with vent grates - sku# DUCT2
- CFM Reducer Kit - CFMRED
- Activated Charcoal Filter Accessory - sku# FILTER2
- Wireless Remote Control Accessory - REMCTRL2

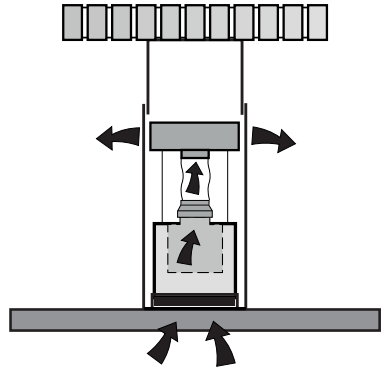
Choose your ducting method

Ducted Venting Options Installation



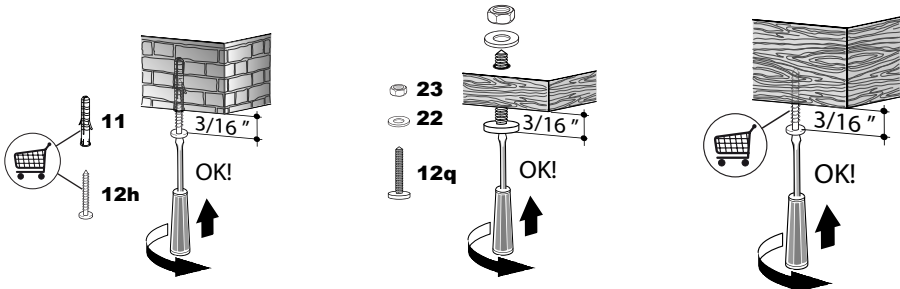
Non Ducted - Recirculation Option

Requires Ductless Accessory Kit
(purchased separately)

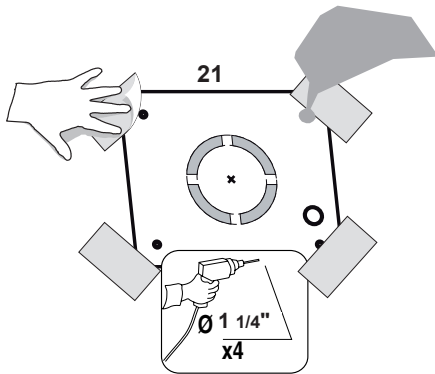
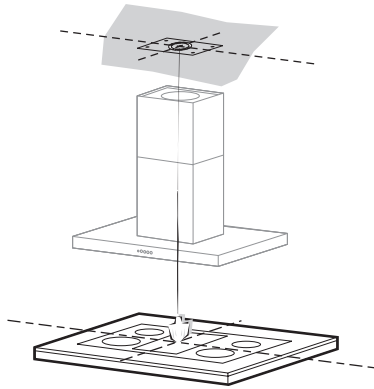


Components for installation to the ceiling

These fasteners may need to be purchased separately depending on your installation.



- 1** Do not make any cutouts until you have decided whether this installation will be ducted or non-duct and then plan accordingly.



Put a thick, protective covering over cooktop, set-in range or countertop to protect from damage or dirt.

Determine and clearly mark with a pencil on the ceiling where the rangehood will be installed. A template 21 for mounting the support is supplied in the carton with the support. Use this template to mark holes for support on the ceiling.

Determine and make necessary cuts for the ductwork. The duct opening is shown on the mounting template. Install ductwork before mounting the hood.

! WARNING

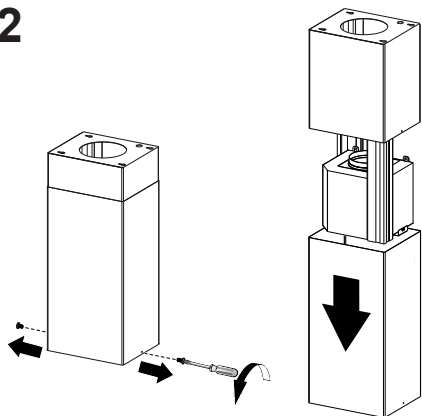
DUE TO THE SIZE AND WEIGHT OF THIS RANGEHOOD, THE SUPPORT MUST BE FIRMLY ATTACHED TO THE CEILING. For plaster or sheet rock ceiling, the support must be attached to the joists. If this is not possible, a support structure must be built behind the plaster or sheet rock. The manufacturer assumes no responsibility for injury or damage caused by improper installations.

Determine the proper location for the Power Supply Cable as indicated on the template. Use a 1 1/4" Drill Bit to make this hole. Run the Power Supply Cable. Use caulking to seal around the hole.

A knockout for threading through the Power Supply from the ceiling is located on the top of the frame. Do not connect the Power Cable to the Wiring Box or power up the hood at this time. Run enough power cable from the ceiling to reach the wiring box on the hood.

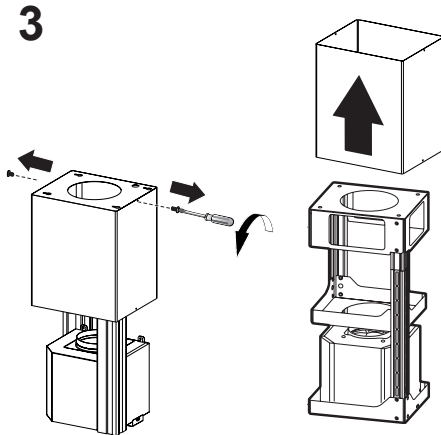
Chimney Flues Must Be Removed Before Installing the Hood

2



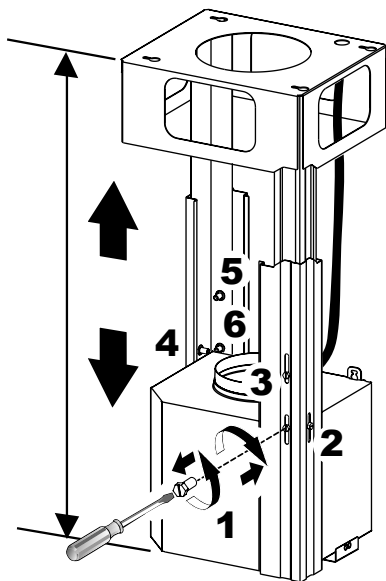
Loosen the two screws fastening the lower chimney and remove this from the lower frame.

3



Loosen the two screws fastening the upper chimney and remove this from the upper frame.

4



If you need to adjust the height of the frame, proceed as follows:

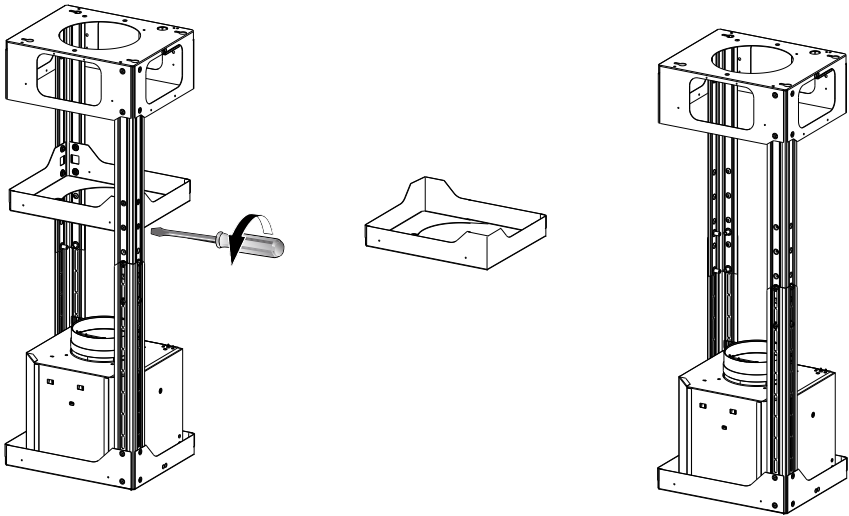
- Unfasten the metric screws joining the two columns, located at the sides of the frame (1,2,3,4,5,6).
- Adjust the frame to the height required, then refit all the screws removed as above.

5

REMOVING THE MIDDLE TRESTLE COMPONENT

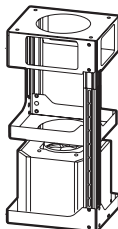
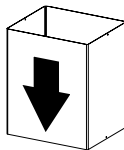
NOTE: The chimney structure can reduce down to a 27 " minimum height. To reduce the height, the middle section of the support structure needs to be removed. Out of the box, the minimum chimney length is 32 ".

Insure the the installation process outlined in the U&C is followed and there is sufficient stability with the middle section removed.

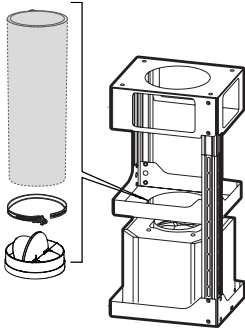


6

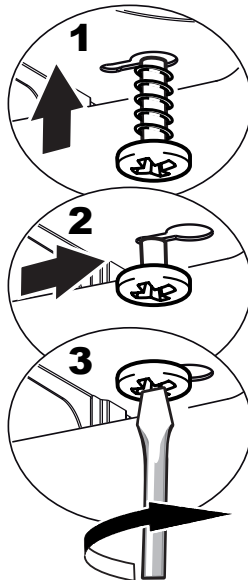
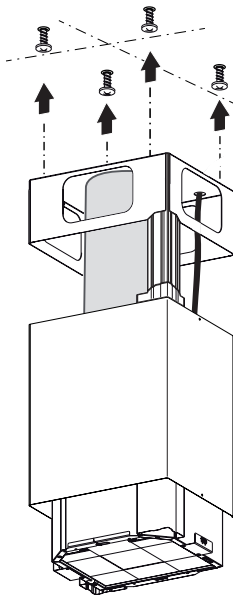
Upper Flue Must Be In Place Before Proceeding



After the regulation for height adjustment, insert the upper chimney stack from above, and leave it running free on the frame.

7**Only for Ducted Venting Installation**

Install Damper that is included with the Hood before connecting to the ductwork.

8

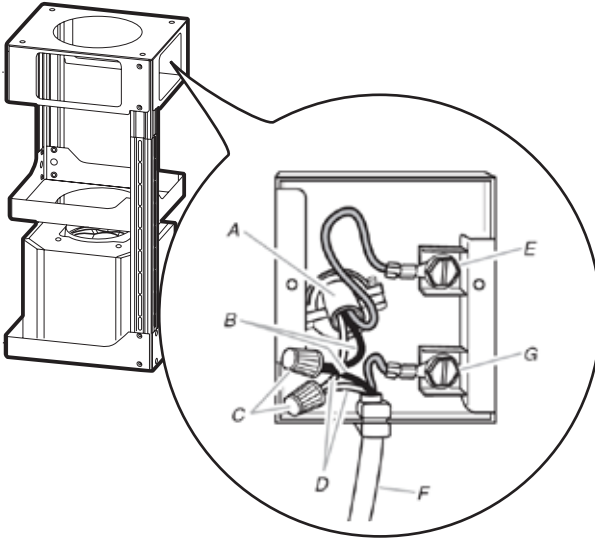
Now take either your wood screws or bolts depending on your set-up and screw all four into the pilot holes and leave 1/4" of the heads exposed.

Next install a UL or CSA listed strain relief in the wiring box so that the screws can be tightened after the chimney support is attached to the ceiling.

Now lift the chimney support into its final position and feed the electrical supply through the strain relief.

Next position the chimney support so that the large end of the keyhole slots are over the ceiling attachment screws or bolts. Then push the chimney support so that the bolts are in the neck of the slots. Tighten all four screws or bolts securely.

- The frame mountings must be secure to withstand the weight of the hood and any stresses caused by the occasional side thrust applied to the device. On completion, check that the base is stable, even if the frame is subjected to bending.
- In all cases where the ceiling is not strong enough at the suspension point, the installer must provide strengthening using suitable plates and backing pieces anchored to the structurally sound parts.

9

Installation of wiring connection

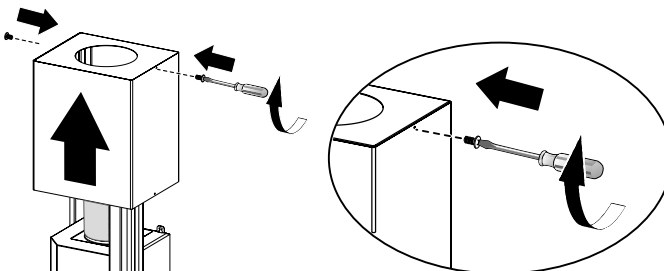
Remove the cover from the field wiring compartment.
DO NOT turn on the power until installation is complete!

Connect the Power Supply Cable to the rangehood.
Connect the Green (Green and Yellow) ground wire under the Green grounding screw. Attach the White lead of the power supply to the White lead of the rangehood with a twist-on type wire connector.

Attach the Black lead of the power supply to the Black lead of the rangehood with a twist-on type wire connector.

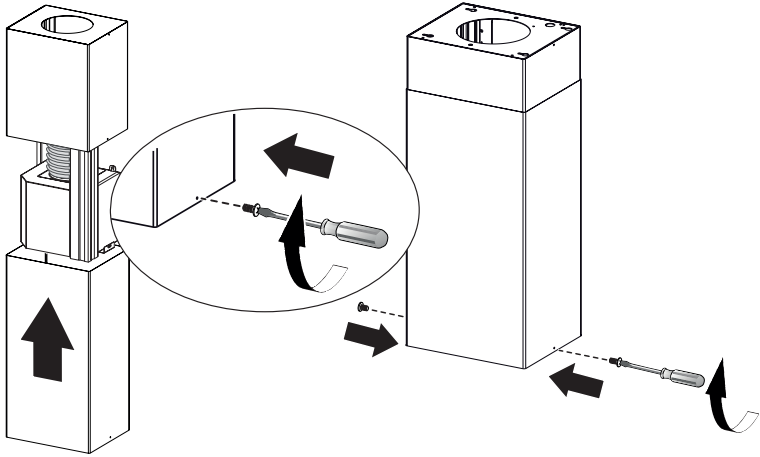
Replace the field wiring compartment cover and the grease filters.

- A. Home power supply cable
- B. Black wires
- C. UL listed wire connectors
- D. White wires
- E. Green (or bare) ground wire from home power supply connected to green ground screw
- F. Range hood power supply cable
- G. Range hood power supply cable connected to green ground screw

10

Position the upper chimney section and fix the upper part to the frame using the 2 screws removed previously.

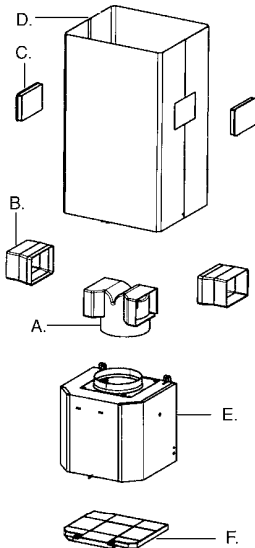
11



Similarly, position the lower chimney section and fix the lower part to the frame using the 2 screws removed previously.

12

Only For Ductless Installations



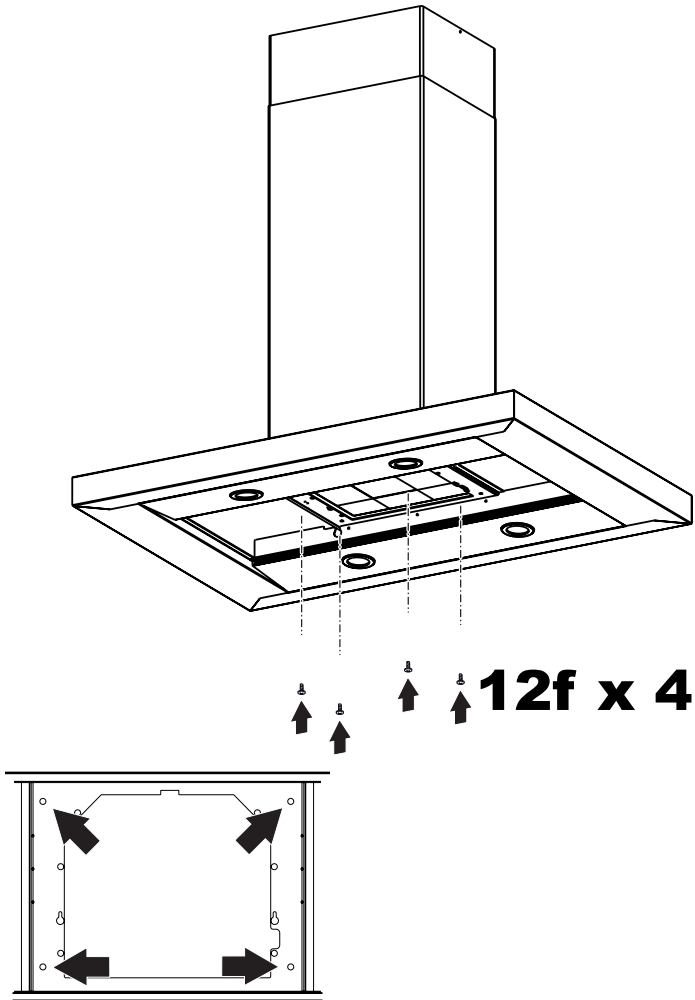
Ductless installations require a **Ductless Conversion Kit** whose components are pictured in **FIGURE 11**.

Do not use the DAMPER for ductless installations. The LOWER CHIMNEY COVER should be discarded and replaced by the new one with holes from the **Ductless Conversion Kit (D in FIGURE 11)**.

As indicated in **FIGURE 11**, place the DUCTLESS DIVERTER (**A**) over the exhaust opening of the EASY CUBE (**E**). Fit the DUCTLESS DIVERTER EXTENSIONS HORIZONTAL (**B**) into the DIVERTER (**A**).

Attachment of Hood Canopy

13

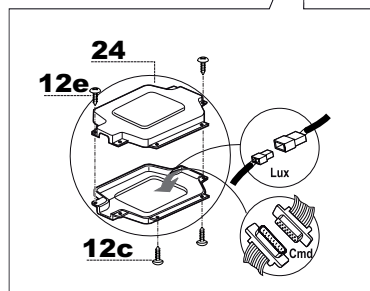
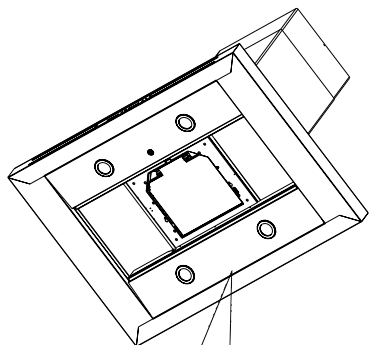


Remove the grease filters from the hood canopy.
Remove any activated charcoal filters.

Working from below, fix the hood canopy to the frame where indicated, using the 4 screws 12f, then tighten all the screws securely.

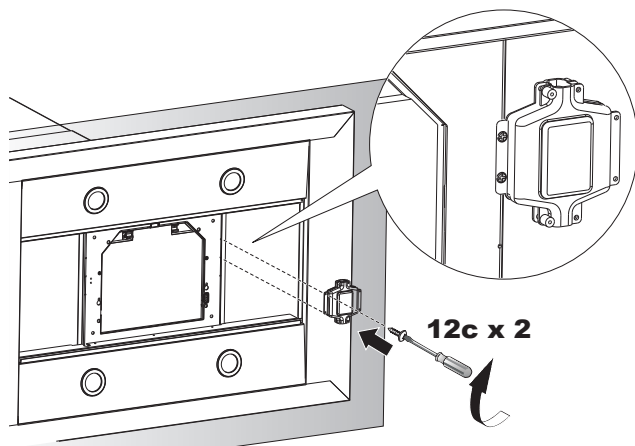
14

Make the Internal Electrical Connection



Connect the control connector Cmd and .
Connect the lights connector Lux.
Place the connectors in the junction box 24 and
close it using the 4 screws provided.

15

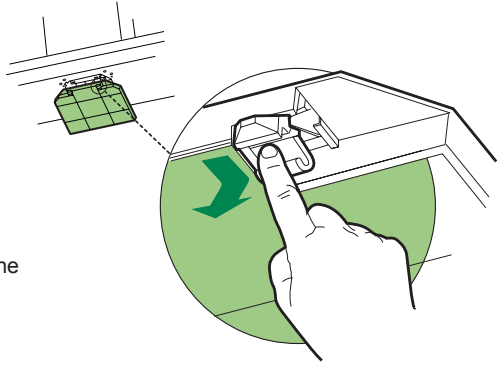


Fix the junction box
to the hood body
using the 2 screws
12c provided.

16 For Non-Ducted Recirculation Option

Attach a charcoal filter in the correct position and block it by the fixing hooks as shown.

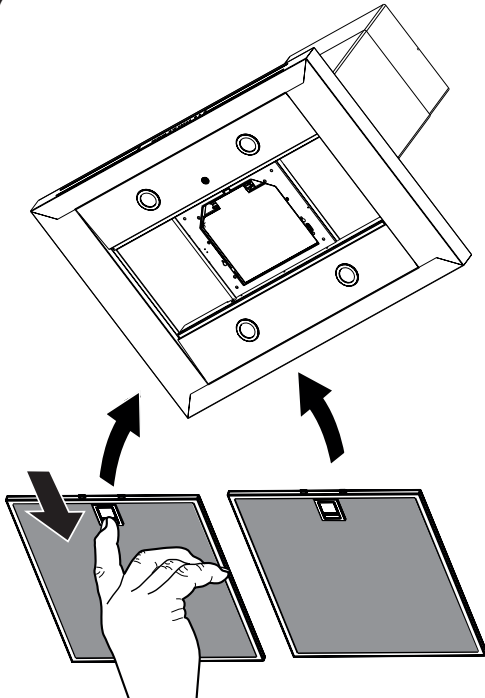
Unlock the fixing hooks (towards the back of the insert hood) to remove.



Required Activated Charcoal Filter
Accessory - sku # - FILTER2
(purchased separately)



17

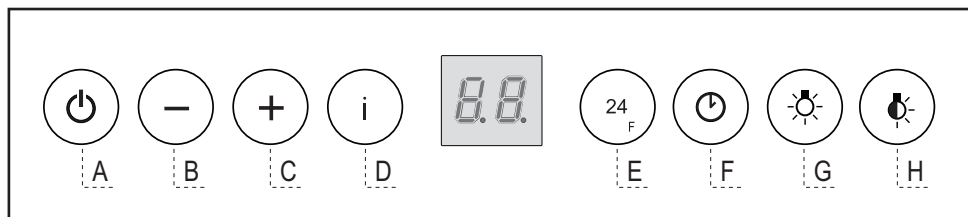


Reinstall the grease filters
from the hood canopy.

USE AND CARE INFORMATION

For Best Results

Start the rangehood several minutes before cooking to develop proper airflow. Allow the rangehood to operate for several minutes after cooking is complete to clear all smoke and odors from the kitchen.



Button	Function	Display
A	Turns the suction motor on and off at speed one.	Displays the set speed
B	Decreases the working speed.	Displays the set speed
C	Increases the working speed.	Displays the set speed
D	Activate intensive speed from any other speed, including motor off. This speed is set to operate for 6 minutes, after which the system returns to the speed that was set before. Suitable to deal with maximum levels of cooking fumes.	Displays HI and the time remaining once very second.
	Press and hold the button for approximately 5 seconds, with all the loads turned off (Motor and Lights), to turn the Activated Charcoal Filter alarm On and Off.	FC+dot (2 flashes)–Alarm On. FC+dot (1 flash)–Alarm Off.
E	24H function Turns the suction motor on at speed one and effects one 10 minute extraction every hour.	Displays 24 and the spot at the bottom right flashes once every second, while the motor is running. It is disabled by pressing the button.
	When the filters alarm is triggered, the alarm can be reset by pressing and holding this button for approximately 3 seconds. These indications are only visible when the motor is turned off.	FF flashes three times. When the procedure terminates, the indication shown previously turns off: FG indicates the need to wash the metal grease filters. The alarm is triggered after the Hood has been in operation for 100 working hours. FC indicates the need to change the activated charcoal filters, and also to wash the metal grease filters. The alarm is triggered after the Hood has been in operation for 200 working hours.
F	Delay function Activate automatic switch-off with a 30' delay. Suitable to complete elimination of residual odours. Can be activated from any position, and is disabled by pressing the button or turning the motor off.	Displays the operating speed and the spot at the bottom right flashes once a second.
	Press and hold the button for approximately 5 seconds, with all the loads turned off (Motor and Lights), to turn the Remote Control On and Off.	IR+dot (2 flashes)– Remote Control On. IR+dot (1 flash)– Remote Control Off.
G	Turns the lighting system on and off at maximum intensity.	
H	Turns the Courtesy Lighting on and off.	

Cleaning metal grease filters

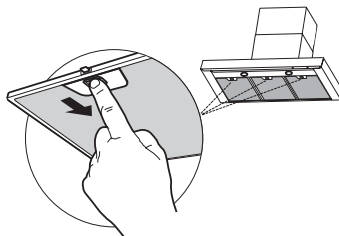
They can be washed in the dishwasher, and need to be cleaned whenever the **FG** sign appears on the display or at least once every 2 months use, or more frequently if use is particularly intensive.

Resetting the alarm signal

- Turn the Lights and the Suction motor off, then disable the 24h function, if enabled.
- Press button **E** (see the paragraph on Use).

Cleaning the Filters

- Remove the Filters one at a time, pushing them towards the back of the unit and at the same time pulling downward.
- Wash the Filters without bending them, and leave them to dry completely before replacing. (If the surface of the filter changes color as time goes by, this will have absolutely no effect on the efficiency of the filter itself.)
- Replace, taking care to ensure that the handle faces forwards.
- No water can be present in filters before installing back in hood.



Replacing Activated Charcoal Filter

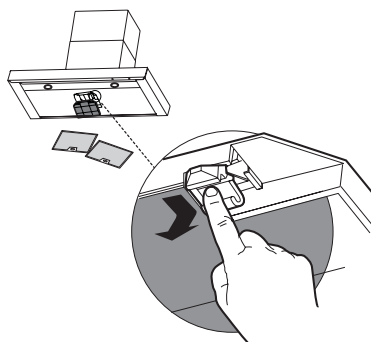
It cannot be washed or regenerated, and must be changed when the **FC** symbol on the display appears, or at least once every 4 months. The Alarm signal, if it has been activated, only appears when the Suction motor is turned on.

Resetting the alarm signal

- Turn the Lights and the Suction motor off, then disable the 24h function, if enabled.
- Press button **E** (see the paragraph on Use).

Cleaning the Filters

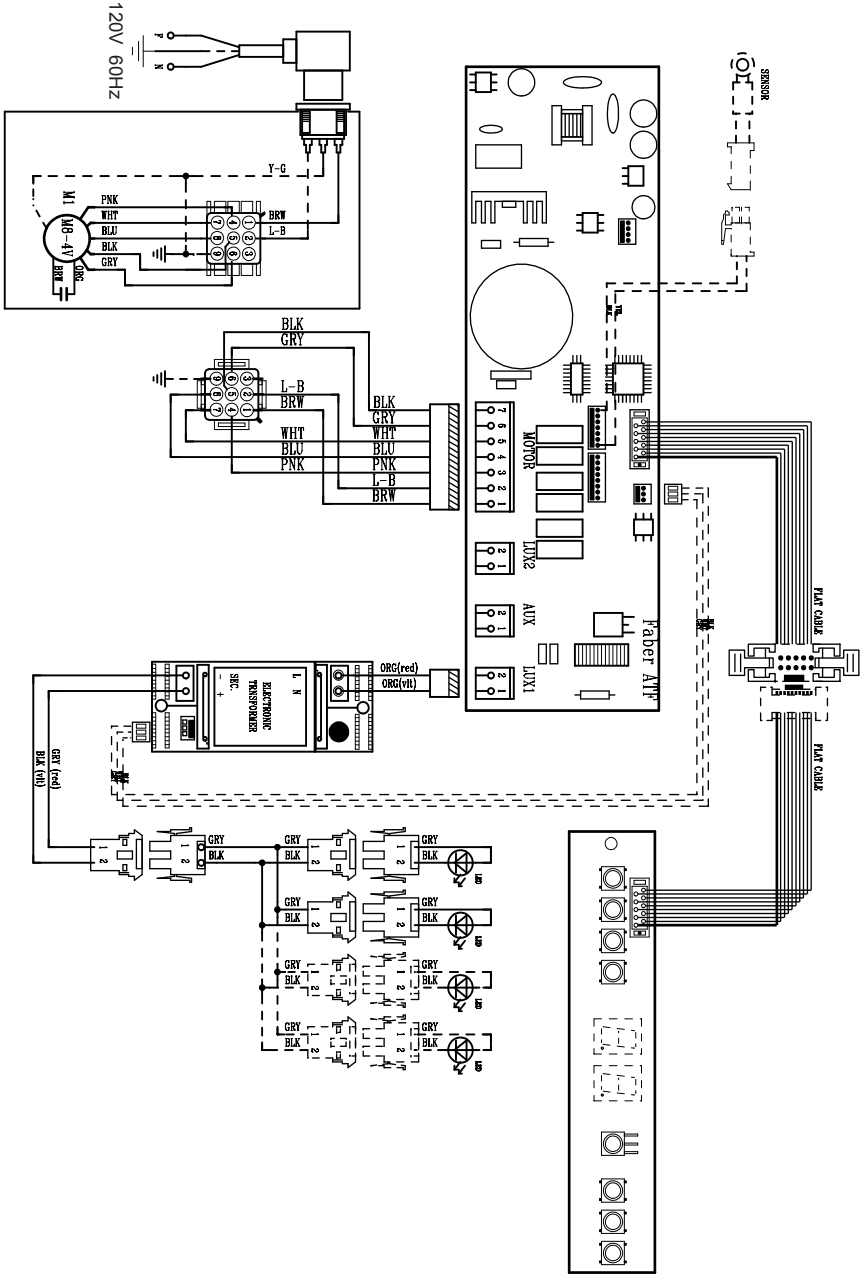
- Remove the Filters one at a time, pushing them towards the back of the unit and at the same time pulling downward.
- Remove the saturated charcoal filter by releasing the fixing hooks.
- Fit the new filter and fasten it in its correct position.
- Replace, taking care to ensure that the handle faces forwards.
- CAUTION: When used in recirculation mode, to Reduce the Risk of Fire and Shock use only conversion kit Model FILTER2.



Lighting unit

- LED lights must be replaced by Faber factory authorized service.

Wiring Diagram





FABER CONSUMER WARRANTY & SERVICE

All Faber products are warranted against any defect in materials or workmanship for the original purchaser for a period of 1 year from the date of original purchase (requires proof of purchase). This warranty covers labor and replacement parts. Faber, at its option, may repair or replace the product or components necessary to restore the product to good working condition. To obtain warranty service, contact the dealer from whom you purchased the range hood, or the local Faber distributor. If you cannot identify a local Faber distributor, contact us at (508) 358-5353 for the name of a distributor in your area.

The following is not covered by Faber's warranty:

1. Service calls to correct the installation of your range hood, to instruct you how to use your range hood, to replace or repair house fuses or to correct house wiring or plumbing.
2. Service calls to repair or replace range hood light bulbs, fuses or filters. Those consumable parts are excluded from warranty coverage.
3. Repairs when your range hood is used for other than normal, single-family household use.
4. Damage resulting from accident, alteration, misuse, abuse, fire, flood, acts of God, improper installation, installation not in accordance with electrical or plumbing codes or Faber documentation, or use of products not approved by Faber.
5. Replacement parts or repair labor costs for units operated outside the United States or Canada, including any non-UL or C-UL approved Faber range hoods.
6. Repairs to the hood resulting from unauthorized modifications made to the range hood.
7. Expenses for travel and transportation for product service in remote locations and pickup and delivery charges. Faber range hoods should be serviced in the home.

THIS WARRANTY DOES NOT ALLOW RECOVERY OF INCIDENTAL OR CONSEQUENTIAL DAMAGES, INCLUDING, WITHOUT LIMITATION, DIRECT, INDIRECT, INCIDENTAL, SPECIAL OR CONSEQUENTIAL DAMAGES, PERSONAL INJURY/WRONGFUL DEATH OR LOST PROFITS FABER WARRANTY IS LIMITED TO THE ABOVE CONDITIONS AND TO THE WARRANTY PERIOD SPECIFIED HEREIN AND IS EXCLUSIVE. EXCEPT AS EXPRESSLY SPECIFIED IN THIS AGREEMENT, FABER DISCLAIMS ALL EXPRESS OR IMPLIED CONDITIONS, REPRESENTATIONS, AND WARRANTIES INCLUDING, WITHOUT LIMITATION, ANY IMPLIED WARRANTIES OF MERCHANTABILITY OR FITNESS FOR A PARTICULAR PURPOSE.

This warranty gives you specific legal rights that may vary from state to state.

Model#: _____

Serial #: _____

January 4, 2016

VEUILLEZ LIRE ET CONSERVER LA PRÉSENTE NOTICE AVANT DE COMMENCER L'INSTALLATION DE LA HOTTE DE CUISINE

AVERTISSEMENT : POUR RÉDUIRE LE RISQUE D'UN FEU DE GRAISSE SUR LA TABLE DE CUISSON :

- a) Ne laissez jamais sans surveillance les éléments de la surface de cuisson à température élevée. Les bouillonnements excessifs peuvent provoquer de la fumée et les débordements de graisse peuvent s'enflammer. L'huile doit être chauffée lentement, à une température basse ou moyenne.
- b) Assurez-vous de toujours mettre en marche le ventilateur de la hotte lorsque vous cuisinez à température élevée ou préparez un mets flambé (p.ex. crêpes Suzette, cerises jubilé, bœuf flambé).
- c) Nettoyez régulièrement les ventilateurs d'aspiration. Assurez-vous de ne pas laisser de la graisse s'accumuler sur le ventilateur ou le filtre.
- d) Utilisez toujours des poêles et casseroles de la taille appropriée. Utilisez toujours des ustensiles de cuisine de la taille adaptée à celle de l'élément chauffant.

AVERTISSEMENT : - POUR PRÉVENIR LES BLESSURES EN CAS DE FEU DE GRAISSE SUR LA TABLE DE CUISSON, SUIVEZ LES RECOMMANDATIONS SUIVANTES* :

- a) **ÉTOUFFEZ LES FLAMMES** à l'aide d'un couvercle hermétique, d'une plaque à biscuits ou d'un plateau métallique, puis éteignez le brûleur. FAITES ATTENTION AUX BRÛLURES. Si le feu ne s'éteint pas immédiatement, QUITTEZ LES LIEUX ET APPELEZ LES POMPIERS.
- b) **NE PRENEZ JAMAIS UNE CASSEROLE EN FLAMME** - Vous pourriez vous brûler.
- c) **N'UTILISEZ JAMAIS DE L'EAU**, ni un linge à vaisselle ou un torchon mouillé, pour éteindre le feu. Cela pourrait provoquer une violente explosion de vapeur.
- d) Utilisez un extincteur **UNIQUEMENT** si :
 1. Vous êtes certain qu'il s'agit d'un extincteur de classe ABC et que vous connaissez bien son mode d'emploi.
 2. Le feu est de faible intensité et se limite à l'endroit où il a démarré.
 3. Les pompiers ont déjà été appelés.
 4. Une voie de sortie se trouve derrière vous pendant que vous éteignez les flammes.

* D'après le guide « Kitchen Firesafety Tips » publié par la NFPA aux États-Unis

AVERTISSEMENT - POUR RÉDUIRE LE RISQUE D'INCENDIE OU DE CHOC ÉLECTRIQUE, n'utilisez jamais ce ventilateur en association avec un dispositif de réglage de vitesse à semi-conducteurs.

AVERTISSEMENT - POUR RÉDUIRE LES RISQUES D'INCENDIE, DE CHOC ÉLECTRIQUE OU DE BLESSURE CORPORELLE, RESPECTEZ LES INSTRUCTIONS SUIVANTES :

1. Utilisez cet appareil uniquement de la façon prévue par le fabricant. Pour toute question, communiquez avec le fabricant.
2. Avant de procéder à l'entretien ou au nettoyage de l'appareil, coupez l'alimentation au niveau du panneau électrique et verrouillez-le pour vous assurer que l'électricité n'est pas rétablie accidentellement. S'il n'est pas possible de verrouiller le dispositif d'interruption de l'alimentation, affichez de façon ferme et bien visible un avis de danger, par exemple à l'aide d'une étiquette sur le panneau.

ATTENTION : Destiné à un usage de ventilation générale uniquement. N'utilisez pas ce dispositif pour l'aspiration de vapeurs ou de matériaux dangereux ou explosifs.

AVERTISSEMENT - POUR RÉDUIRE LES RISQUES D'INCENDIE, DE CHOC ÉLECTRIQUE OU DE BLESSURE CORPORELLE, RESPECTEZ LES INSTRUCTIONS SUIVANTES :

1. L'installation et le branchement électrique doivent être réalisés par un technicien qualifié et conformément à tous les codes et normes en vigueur, incluant ceux concernant la construction à l'épreuve du feu.
2. Afin de garantir une combustion et une évacuation adéquates des gaz par les conduites de la cheminée des appareils à combustion, une bonne aération est nécessaire pour éviter le refoulement. Respectez les lignes directrices fournies par le fabricant du matériel chauffant, ainsi que les normes de sécurité comme celles publiées par la National Fire Protection Association (NFPA) et la American Society for Heating, Refrigeration and Air Conditioning Engineers (ASHRAE) aux États-Unis, ainsi que les codes en vigueur dans votre région.

3. Lorsque vous faites une ouverture ou percez dans un mur ou le plafond, veillez à ne pas endommager les fils électriques ou d'autres dispositifs cachés.
4. Les ventilateurs canalisés doivent toujours être raccordés à l'extérieur.

TOUTE OUVERTURE DANS LE MUR OU LE PLANCHER À PROXIMITÉ DE LA HOTTE DOIT ÊTRE SCELLÉE.

Un espace libre d'au moins 24" est requis entre le bas de la hotte et la surface de cuisson ou le comptoir. Cette hotte a été homologuée par l'UL à cette distance de la surface de cuisson.

L'espace libre minimal requis peut-être plus grand, selon la réglementation en matière de construction de votre région. Pour les cuisinières à gaz et les cuisinières combinées, un espace minimal de 30" est recommandé et pourrait être exigé.

Les armoires suspendues de chaque côté de l'appareil doivent se trouver à au moins 18" de la surface de cuisson ou du comptoir. Consultez la notice d'installation de la surface de cuisson ou de la cuisinière fournie par le fabricant avant de pratiquer des ouvertures.

INSTALLATION DANS UNE MAISON MOBILE L'installation de cette hotte doit être conforme à la Partie 3280 de la norme Manufactured Home Construction and Safety Standards, Title 24 CFR (précédemment la partie 280 de la norme Federal Standard for Mobile Home Construction and Safety, Title 24, HUD). Consultez la fiche technique électrique.

CRITÈRES DE VENTILATION

Déterminez quelle méthode de ventilation est mieux adaptée à votre application. Les conduits peuvent passer par le mur ou le toit.

Pour garantir une meilleure efficacité, la longueur des conduits et le nombre de coudes doivent être le plus limités que possible. Le diamètre des conduits devrait être uniforme. N'installez pas deux coudes ensemble. Utilisez un ruban pour canalisations afin de sceller tous les joints du système de conduits. Utilisez un cafeutrage pour sceller les ouvertures dans le mur extérieur ou le plancher, autour du clapet.

Il n'est pas recommandé d'utiliser des conduits flexibles. Les conduits flexibles provoquent une contre-pression et de la turbulence qui diminuent grandement l'efficacité de l'appareil.

Assurez-vous que l'espace libre dans le mur ou le plancher est suffisant pour le conduit d'évacuation avant de pratiquer les ouvertures. Ne coupez jamais une poutre ou un chevron, sauf si c'est absolument nécessaire. S'il s'avère nécessaire de couper une poutre ou un chevron, la construction d'un renforcement est requise.

AVERTISSEMENT - Pour réduire le risque d'incendie, utilisez uniquement des conduits métalliques. ATTENTION - Pour réduire le risque d'incendie et pour évacuer adéquatement l'air, assurez-vous de raccorder les conduits à l'extérieur - Ne diffusez pas l'air d'évacuation dans des espaces à l'intérieur des murs ou du plafond, ou encore à l'intérieur d'un grenier, d'une galerie technique ou d'un garage.



AVERTISSEMENT

- Le système de ventilation DOIT déboucher à l'extérieur.
- **NE FAITES PAS** déboucher les conduits dans un grenier ou un autre endroit fermé.
- **N'UTILISEZ PAS** un clapet de sècheuse mural de 4 " .
- Il n'est pas recommandé d'utiliser des conduits flexibles.
- **N'ENTRAVEZ PAS** le flux de l'air de combustion et de ventilation.
- Le non-respect des exigences en matière de ventilation pourrait entraîner un incendie.

FICHE TECHNIQUE ÉLECTRIQUE

Une alimentation de courant alternatif de 120 volt à 60 Hz est requise sur un circuit à fusible distinct de 15 ampères. Il est recommandé d'installer un fusible temporisé ou un disjoncteur. Le fusible doit être calibré conformément aux codes en vigueur pour les caractéristiques nominales électriques de l'appareil, indiquées sur la plaque signalétique située à l'intérieur de l'appareil, à proximité du compartiment des câblages externes.

INSTALLATION ÉLECTRIQUE AVEC BOÎTIER DE CÂBLAGES

CET APPAREIL DOIT ÊTRE UNIQUEMENT BRANCHÉ À L'AIDE DE FILS DE CUIVRE. Le calibre des fils doit être conforme aux critères de la dernière édition du National Electrical Code, de l'ANSI/NFPA 70 et de l'ensemble des codes et réglementations en vigueur. Le calibre des fils et les connexions doivent être adaptés aux caractéristiques nominales de l'appareil. Il est possible de se procurer un exemplaire des normes indiquées ci-dessus en communiquant avec :

National Fire Protection Association
Batterymarch Park
Quincy, Massachusetts 02269 (États-Unis)

Cet appareil devrait être branché directement au sectionneur à fusible (ou au disjoncteur) par un câble flexible de cuivre avec blindage ou gaine non métallique. Laissez un peu de jeu dans le câble pour permettre le déplacement de l'appareil si des travaux d'entretien s'avéraient nécessaires. Un raccord de conduit homologué par l'UL de 1/2 " doit être installé aux deux extrémités du câble d'alimentation (au niveau de l'appareil et de la boîte de liaison).

Lors de la réalisation du branchement électrique, réalisez un trou de 1 1/4 " dans le mur. S'il s'agit d'un trou dans le bois, il doit être poncé pour le rendre lisse. S'il s'agit d'un trou dans le métal, un passe-fils est requis.



AVERTISSEMENT

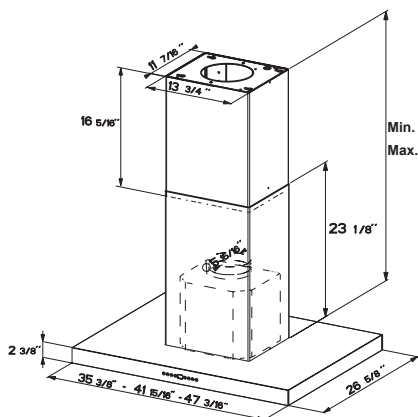
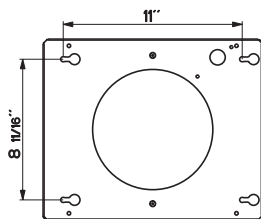
- Une mise à la terre électrique est requise pour cette hotte.
- N'UTILISEZ PAS un tuyau d'eau froide pour la mise à la terre si celui-ci est branché par des joints en plastique, par des rondelles non métalliques ou d'autres matériaux.
- N'UTILISEZ PAS une conduite de gaz pour la mise à la terre.
- N'INSTALLEZ PAS un fusible sur le circuit neutre ou le circuit de mise à la terre. La présence d'un fusible dans le circuit neutre ou de mise à la terre peut entraîner un choc électrique.
- Consultez un électricien qualifié si vous n'êtes pas certain de la mise à la terre de la hotte.
- Le non-respect des exigences de la fiche technique électrique pourrait entraîner un incendie.

Avertissement de la proposition 65 de l'État de Californie (US seulement)

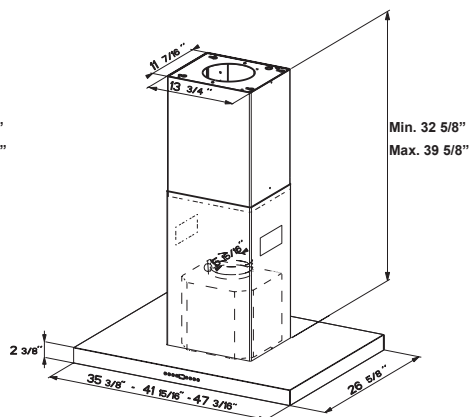
ATTENTION

Ce produit contient des produits chimiques connus de l'État de Californie pour causer le cancer et des malformations congénitales ou d'autres problèmes de reproduction. Pour plus d'informations, visitez www.P65Warnings.ca.gov

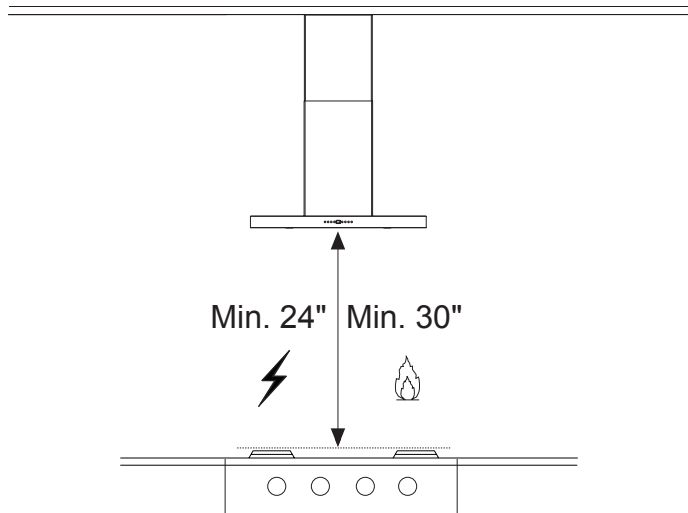
DIMENSIONS DE LA HOTTE



Installation avec ventilation
canalisée



Sans canalisation recirculation
(DUCT2)

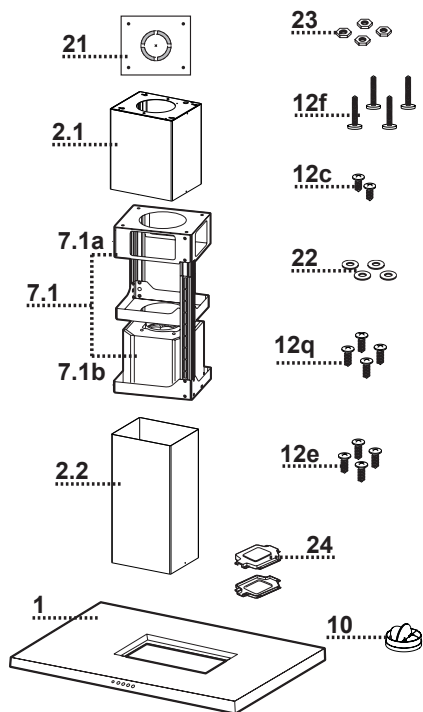


PIÈCES PRINCIPALES

Composants

Réf.	Qté	Composants du produit
1	1	Bâti de la hotte, avec: Com- mandes, éclairages, filtres, ventilateur.
2	1	Cheminée télescopique comprenant:
2.1	1	Section supérieure
2.2	1	Section inférieure
7.1	1	Châssis télescopique avec ventilateur d'aspiration, composé de:
7.1a	1	Châssis supérieur
7.1b	1	Châssis inférieur
10	1	Registre \varnothing 5 7/8"
24	1	Boîte de liaison

Réf.	Qté	Composants d'installation
12f	4	Vis 1/4" x 3 1/8"
12c	2	Vis 1/8" x 1/4"
12e	4	Vis 1/8" x 3/8"
12q	4	Vis 1/4" x 9/16"
21	1	Gabarit de perçage
22	4	Rondelles dia int. 1/4"
23	4	Écrous 1/4"
	Qté	Documentation
	1	Mode d'emploi



Pièces requises

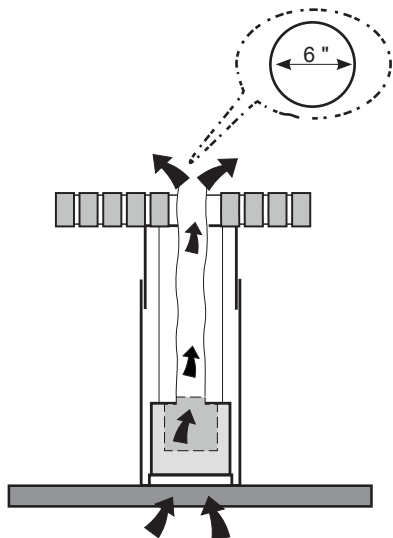
- Conduit métallique 6" circulaire

Accessoires disponibles

- Trousse de cheminée pour plafonds hauts, pour remplacer le conduit supérieur de cheminée. - No d'article HIGH2.
- Trousse sans conduit - Comprend déflecteur de recyclage, filtres à charbon, cheminée inférieure avec grille d'évent - No d'article DUCT2
- Réducteur de débit - CFMRED
- Filtre à charbon actif accessoire - No d'article FILTER2
- Télécommande sans fil accessoire - REMCTRL2

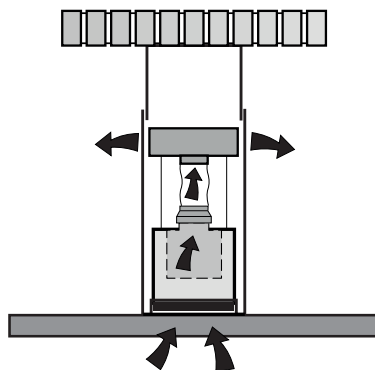
Choisissez la méthode de canalisation

Options d'installation avec ventilation canalisée



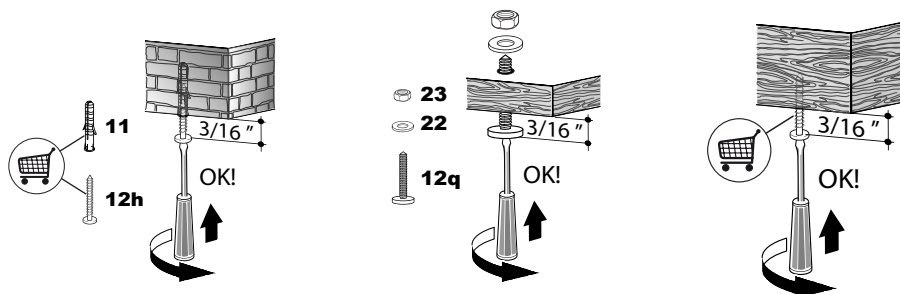
Sans canalisation - Option de recirculation

Exige la trousse d'accessoires sans conduit (achetée séparément)

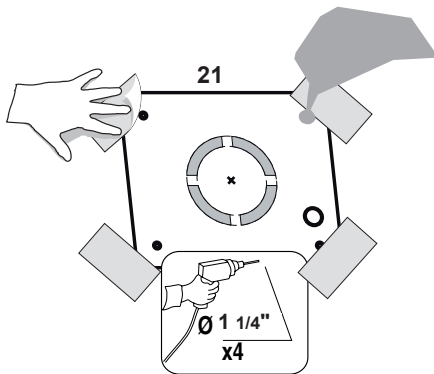
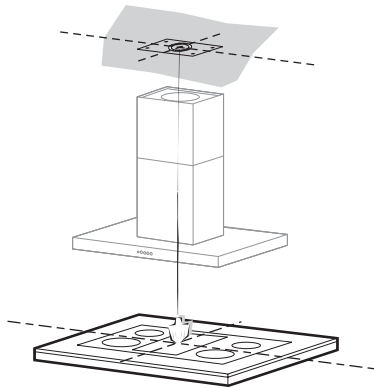


Composants d'installation au plafond

Il pourrait être nécessaire d'acheter séparément ces éléments de fixation, en fonction de votre installation.



- 1** Ne pratiquez aucune ouverture avant d'avoir décidé si l'installation sera canalisée ou non, puis planifiez en conséquence.



Placez une protection épaisse sur la surface de cuisson, la cuisinière encastrée ou le comptoir pour éviter qu'ils soient endommagés ou salis.

Déterminez l'endroit où la hotte sera installée et marquez-la clairement sur le plafond à l'aide d'un crayon.

Un gabarit 21 pour le montage du socle est fourni dans l'emballage. Utilisez ce modèle pour indiquer les trous qui serviront à fixer le socle au plafond.

Déterminez les ouvertures nécessaires pour les conduits et pratiquez-les. L'ouverture pour la canalisation est représentée sur le gabarit de montage. Installez les conduits avant de monter la hotte.



AVERTISSEMENT

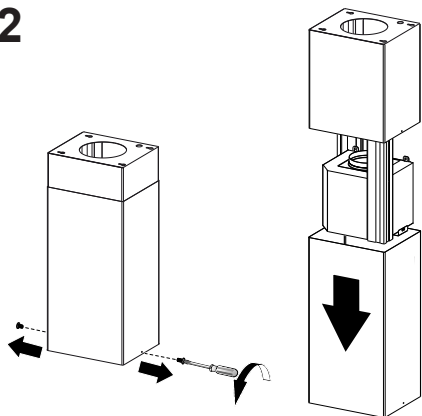
COMPTE TENU DE LA DIMENSION ET DU POIDS DE CETTE HOTTE, LE SOCLE DOIT ÊTRE SOLIDEMENT ANCRÉ AU PLAFOND. Si le plafond est en plâtre ou en plaque de plâtre, le socle doit être ancré aux poutres. Si cela n'est pas possible, une structure de soutien doit être construite derrière le plâtre ou la plaque de plâtre. Le fabricant ne peut être tenu responsable en cas de blessures ou de dommages provoqués par une mauvaise installation.

Déterminez l'emplacement adéquat pour le câble d'alimentation, comme indiqué sur le gabarit. Utilisez une mèche de 1 1/4" pour percer ce trou. Faites passer le câble d'alimentation. Utilisez un calfeutrage pour sceller autour du trou.

Une pièce à défoncer pour le passage de l'alimentation électrique du plafond est située au sommet du châssis. Ne branchez pas le câble d'alimentation au boîtier de connexion et n'alimentez pas la hotte à ce moment. Acheminez le câble électrique du plafond jusqu'au boîtier de connexion sur la hotte.

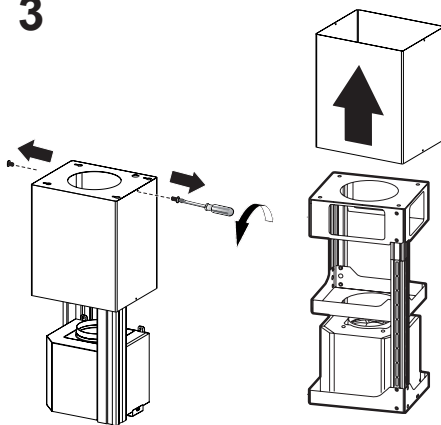
Les conduits de cheminées doivent être enlevés avant l'installation de la hotte

2



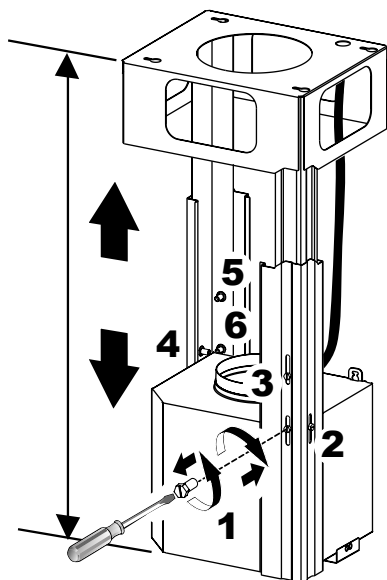
Dévissez les deux vis qui fixent la section inférieure de la cheminée et détachez-la du châssis inférieur.

3



Dévissez les deux vis qui fixent la section supérieure de la cheminée et détachez-la du châssis supérieur.

4



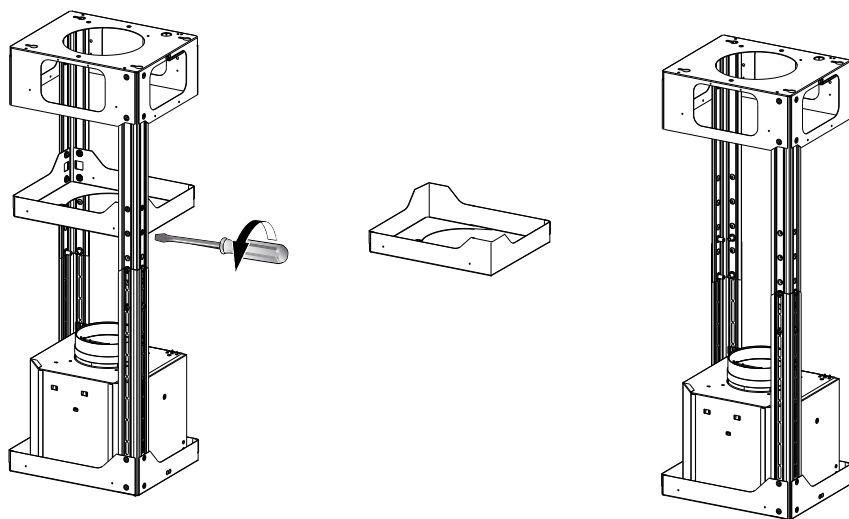
Si vous devez régler la hauteur du châssis, procédez comme suit :

- Détachez les vis métriques qui unissent les deux colonnes, situées sur les côtés du châssis (1, 2, 3, 4, 5, 6).
- Réglez le châssis à la hauteur requise, puis remettez en place toutes les vis enlevées comme ci-dessus.

5

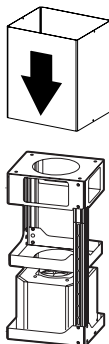
RAIT DU COMPOSANT DE TRESTE MOYEN

REMARQUE: La structure de la cheminée peut réduire jusqu'à une hauteur minimale de 27" . Pour réduire la hauteur, la section médiane de la structure de support doit être retiré.
Hors de la boîte, la longueur minimale de la cheminée est de 32" .
Aucun problème du point de vue mécanique, la rigidité est garantie par le chevauchement des colonnes.



6

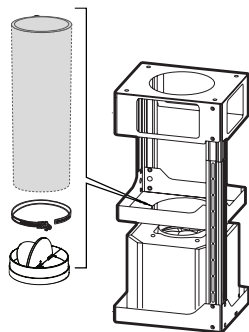
Le conduit supérieur de cheminée doit être en place avant de poursuivre l'installation



Après avoir procédé au réglage de la hauteur, insérez la souche de cheminée supérieure à partir du haut et laissez-la sur le châssis.

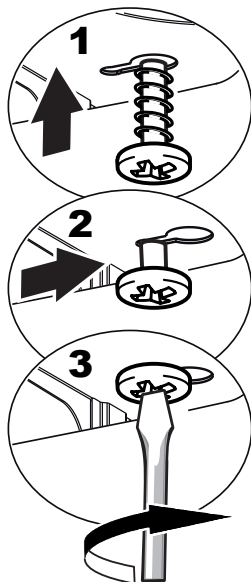
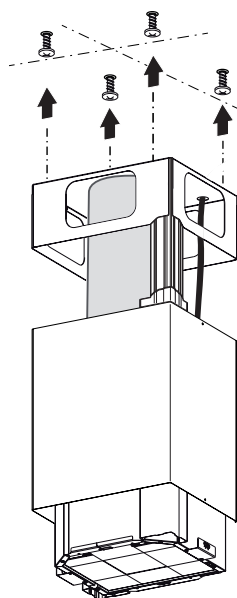
7

Pour installation avec ventilation canalisée uniquement



Installez le registre inclus avec la hotte avant de la raccorder aux conduits.

8



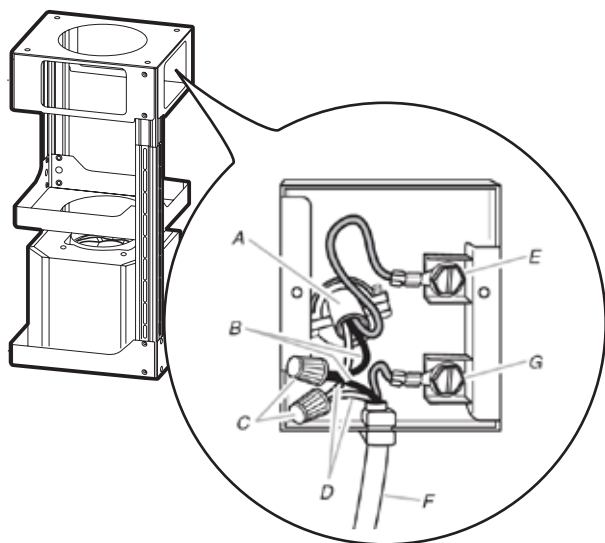
Prenez ensuite les vis à bois ou boulons, selon votre installation, et vissez toutes les quatre dans les trous d'implantation, en laissant 1/4" de la tête des vis libre.

Installez ensuite un protège-câbles (homologation UL ou CSA) dans le boîtier de connexion, de façon à pouvoir serrer les vis lorsque le socle de cheminée sera ancré au plafond.

Soulevez ensuite le socle de cheminée à son emplacement, et faites passer le câble d'alimentation électrique à travers le protège-câbles. Placez le socle de cheminée de façon à aligner la grande ouverture des encoches en trou de serrure sur les vis ou boulons de fixation au plafond. Poussez ensuite le socle de cheminée de façon à ce que les boulons s'engagent dans la partie étroite des encoches. Serrez fermement les quatre vis ou boulons.

- Le montage du châssis doit être assez solide pour supporter le poids de la hotte et tout stress causé par une pression latérale occasionnelle que pourrait subir l'appareil. Lorsque vous avez terminé, assurez-vous que la base est stable, même lorsque le châssis est plié.

- Dans tous les cas où le plafond n'est pas assez fort au point de suspension, l'installateur doit veiller à le renforcer à l'aide de plaques et de pièces de renfort ancrées à des pièces structurelles solides.

9

- A. Câble d'alimentation du réseau domestique**
- B. Fils noirs**
- C. Serre-fils homologué UL**
- D. Fils blancs**
- E. Fil de mise à la terre vert (ou fil nu) de l'alimentation domestique branché à la vis de mise à la terre verte**
- F. Câble d'alimentation de la hotte**
- G. Câble d'alimentation de la hotte branché à la vis de mise à la terre verte**

Réalisation des branchements

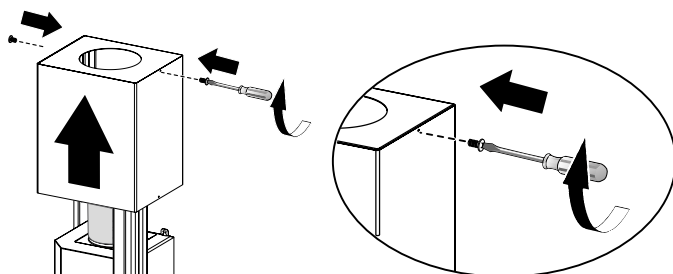
Retirez le couvercle du compartiment des câblages externes.
NE METTEZ PAS l'alimentation sous tension avant d'avoir terminé l'installation!

Branchez le câble d'alimentation à la hotte.

Branchez le fil vert (vert et jaune) de mise à la terre sous la vis de mise à la terre verte. Branchez le fil blanc de l'alimentation au fil blanc de la hotte à l'aide d'un connecteur verrouillé par rotation.

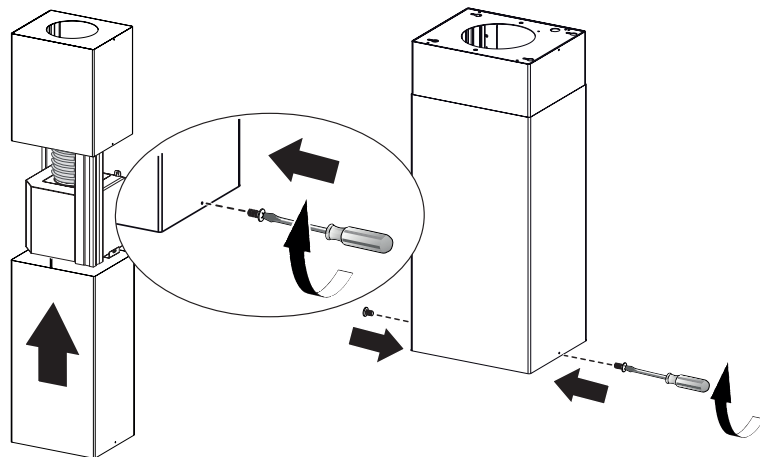
Branchez le fil noir de l'alimentation au fil noir de la hotte à l'aide d'un connecteur verrouillé par rotation.

Remettez le couvercle du compartiment des câblages externes et les filtres à graisse en place.

10

Placez la section supérieure de la cheminée et fixez la partie supérieure au châssis à l'aide des 2 vis enlevées précédemment.

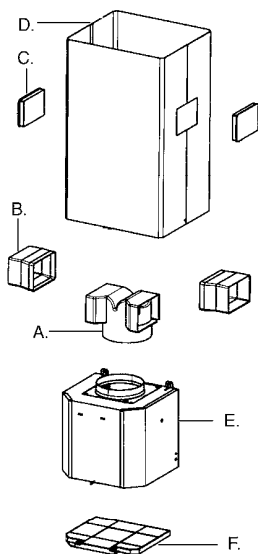
11



De la même façon, placez la section inférieure de la cheminée et fixez la partie inférieure au châssis à l'aide des 2 vis enlevées précédemment.

12

Pour installation sans conduit uniquement



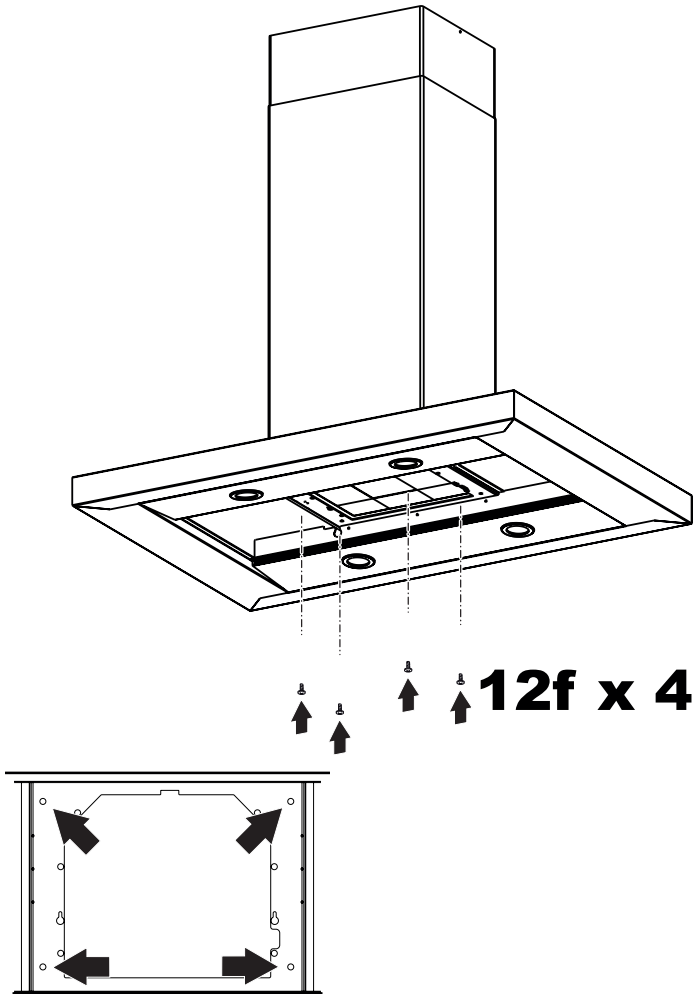
L'installation sans conduit nécessite une **Trousse de conversion pour installation sans conduit** dont les éléments sont représentés à la **FIGURE 11**.

N'utilisez pas le REGISTRE pour l'installation sans conduit. L'HABILLAGE INFÉRIEUR DE CHEMINÉE doit être remplacé par celui présentant des trous de la **Trousse de conversion pour installation sans conduit (D sur la FIGURE 11)**.

Tel qu'indiqué sur la **FIGURE 11**, placez le DÉFLECTEUR DE RECYCLAGE (**A**) sur l'ouverture d'évacuation du EASY CUBE (**E**). Placez les SORTIES HORIZONTALES DU DÉFLECTEUR DE RECYCLAGE (**B**) dans le DÉFLECTEUR (**A**).

Montage de l'auvent de la hotte

13

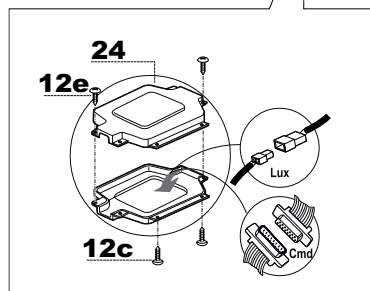
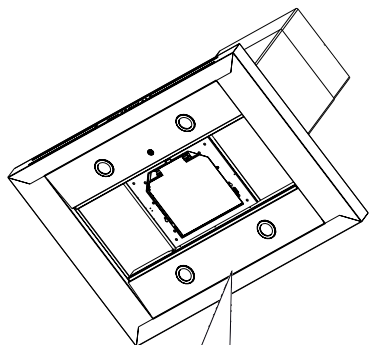


Retirez les filtres à graisse de l'auvent de la hotte.
Retirez tout filtre à charbon actif.

En passant par le dessous, fixez l'auvent de la hotte au châssis aux endroits indiqués, en utilisant les 4 vis 12f, puis serrez fermement toutes les vis.

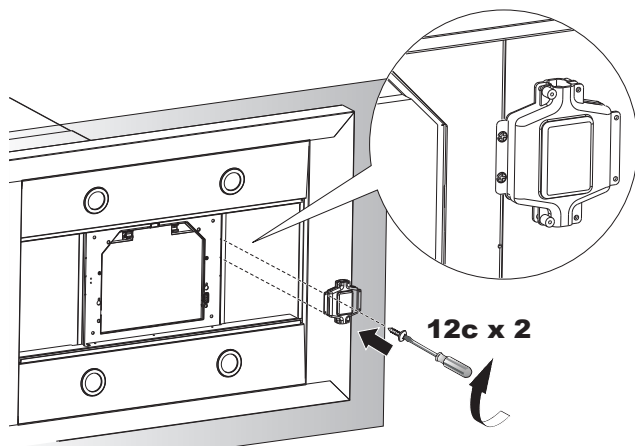
14

Réalisation des branchements électriques internes



Branchez le connecteur de commande Cmd.
Branchez le connecteur de l'éclairage Lux.
Placez les connecteurs dans la boîte de liaison
24 et refermez-la à l'aide des 4 vis fournies.

15



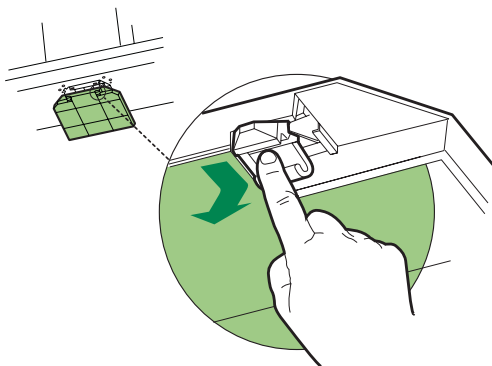
Fixez la boîte de
liaison au bâti de la
hotte à l'aide des 2
vis 12c fournies.

16

Pour option non canalisée avec recirculation d'air

Posez un filtre à charbon à l'emplacement adéquat et bloquez-le à l'aide des crochets de fixation, comme illustré.

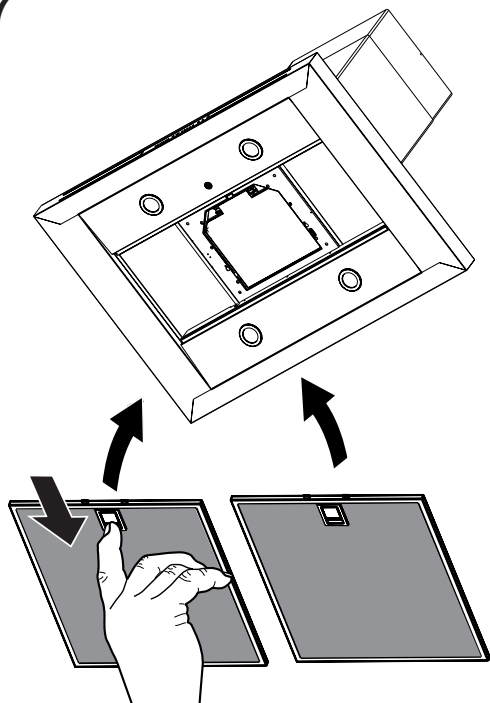
Déverrouillez les crochets de fixation (vers l'arrière de la hotte encastrable) pour les enlever.



Filter à charbon actif accessoire requis
- No d'article - FILTER2
(acheté séparément)



17

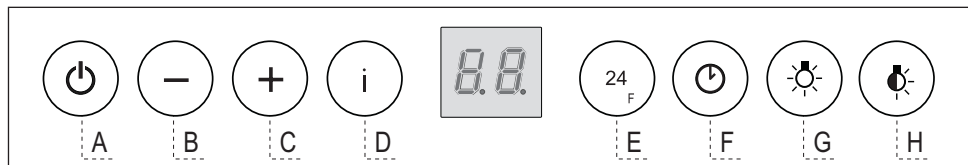


Remettez en place les filtres à graisse de l'auvent de la hotte.

INFORMATIONS POUR L'UTILISATION ET L'ENTRETIEN

Pour de meilleurs résultats

Activez la hotte quelques minutes avant de commencer à cuisiner pour créer un flux d'air adéquat. Laissez la hotte fonctionner quelques minutes après avoir fini de cuisiner pour absorber toute la fumée et les odeurs de la cuisine.



Bouton	Fonction	Affichage
A	Met en marche le moteur d'aspiration à la vitesse un et le désactive.	Affiche la vitesse sélectionnée
B	Réduit la vitesse d'aspiration.	Affiche la vitesse sélectionnée
C	Augmente la vitesse d'aspiration.	Affiche la vitesse sélectionnée
D	Active la vitesse intensive, quelle que soit la vitesse précédente, même avec le moteur désactivé. Cette vitesse est programmée pour s'activer pendant 6 minutes, après quoi le système retourne à la vitesse sélectionnée précédemment. Utile pour contrer les émanations maximales de cuisson.	Affiche HI et le temps restant, toutes les secondes.
	Appuyez sur ce bouton et tenez-le enfoncé pendant environ 5 secondes, lorsque tous les dispositifs sont éteints (moteur et éclairage), pour activer et désactiver l'alarme du filtre à charbon actif.	FC+Point (2 clignotements)–Alarme activée. FC+Point (1 clignotement)–Alarme désactivée.
E	Fonction 24H Met le moteur d'aspiration en marche à la vitesse un et effectue une extraction de 10 minutes toutes les heures. Quand l'alarme du filtre est actionnée, appuyez sur ce bouton et tenez-le enfoncé pendant environ 3 secondes pour la réinitialiser. Ces indications sont uniquement visibles quand le moteur est désactivé.	Affiche 24 et le point en bas à droite clignote toutes les secondes tandis que le moteur est en marche. Appuyez sur le bouton pour la désactiver. FF clignote à trois reprises. Quand la procédure est terminée, l'indication précédente s'éteint : FG indique que les filtres à graisse métalliques doivent être nettoyés. L'alarme s'active lorsque la hotte a été en fonction pendant 100 heures. FC indique que les filtres à charbon actif doivent être changés et que les filtres à graisse métalliques doivent être nettoyés. L'alarme s'active lorsque la hotte a été en fonction pendant 200 heures.
F	Fonction retardée Quand cette fonction est activée, l'appareil s'éteint dans un délai de 30 minutes. Permet d'éliminer complètement les odeurs résiduelles. Peut être activée à partir de n'importe quelle fonction et être désactivée en appuyant sur le bouton ou en coupant le moteur.	Affiche la vitesse de fonctionnement et le point en bas à droite clignote toutes les secondes.
	Appuyez sur ce bouton et tenez-le enfoncé pendant environ 5 secondes, lorsque tous les dispositifs sont éteints (moteur et éclairage), pour activer et désactiver la télécommande.	IR+Point (2 clignotements) – Télécommande activée. IR+Point (1 clignotement) – Télécommande désactivée.
G	Permet d'allumer et d'éteindre le système d'éclairage à l'intensité maximale.	
H	Permet d'allumer et d'éteindre l'éclairage en modalité « Veilleuse ».	

Nettoyage des filtres à graisse métalliques

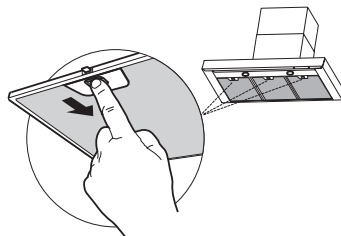
Ils peuvent être lavés dans le lave-vaisselle et doivent être nettoyés lorsque le symbole **FG** s'affiche ou au moins une fois tous les 2 mois d'usage, ou encore plus fréquemment en cas d'utilisation particulièrement intensive.

Réinitialiser le signal d'alarme

- Éteignez l'éclairage et le moteur d'aspiration, puis désactivez la fonction 24h si elle est activée.
- Appuyez sur le bouton **E** (consultez le paragraphe sur l'utilisation).

Nettoyage des filtres

- Retirez les filtres un à un, en les poussant vers l'arrière de l'appareil et en les tirant vers le bas simultanément.
- Lavez les filtres sans les plier et laissez-les sécher complètement avant de les remettre en place. (Si la surface du filtre change de couleur au fil du temps, cela n'aura aucun impact sur l'efficacité du filtre même.)
- Remettez-le en place, en vous assurant que la poignée se trouve vers l'avant.
- Aucune eau ne peut être présente dans les filtres avant la réinstallation dans la hotte.



Remplacement du filtre à charbon actif

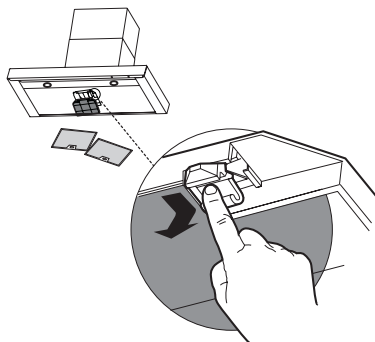
Il ne peut être lavé ni régénéré, et doit être changé lorsque le symbole **FC** s'affiche, ou au moins une fois tous les 4 mois. Si le signal d'alarme a été activé, il apparaît uniquement lorsque le moteur d'aspiration est activé.

Réinitialiser le signal d'alarme

- Éteignez l'éclairage et le moteur d'aspiration, puis désactivez la fonction 24h si elle est activée.
- Appuyez sur le bouton **E** (consultez le paragraphe sur l'utilisation).

Nettoyage des filtres

- Retirez les filtres un à un, en les poussant vers l'arrière de l'appareil et en les tirant vers le bas simultanément.
- Retirez le filtre à charbon saturé en détachant les crochets de fixation.
- Posez le nouveau filtre et fixez-le à l'emplacement adéquat.
- Remettez-le en place, en vous assurant que la poignée se trouve vers l'avant.

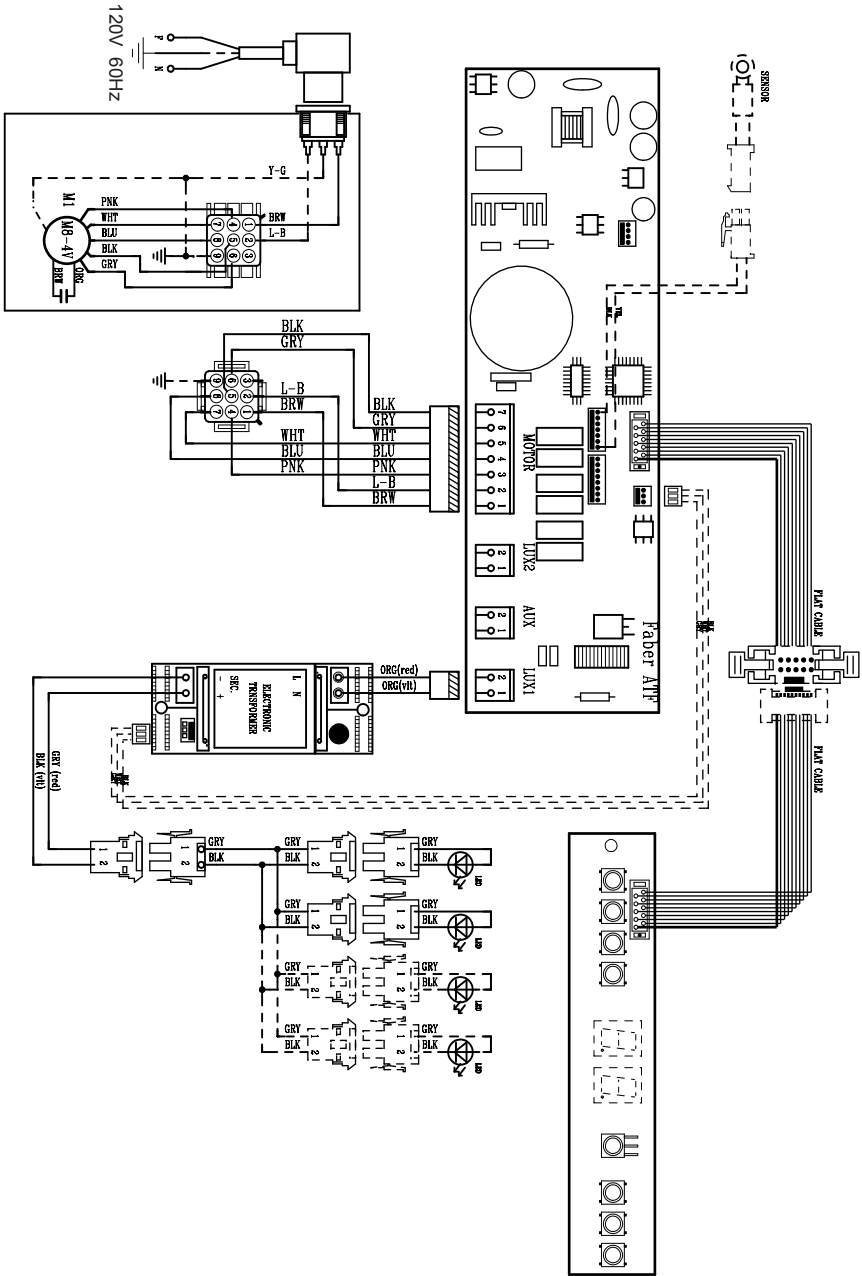


ATTENTION: Pour réduire le risque d'incendie ou de choc électrique lorsque l'appareil est utilisé en mode recyclage, utilisez uniquement le modèle FILTER2 en guise de trousse de conversion.

Système d'éclairage

- Les ampoules DEL doivent être remplacées par un service d'entretien autorisé Faber.

Schéma de câblage





GARANTIE LIMITÉE ET SERVICE FABER

Tous les produits Faber font l'objet d'une garantie contre les défauts de matériel et de main-d'œuvre, accordée à l'acheteur original pour une période d'un (1) an à compter de la date d'achat initiale (preuve d'achat requise). Cette garantie couvre les frais de main-d'œuvre et les pièces de rechange. À sa discrétion, Faber peut réparer ou remplacer le produit ou les composants nécessaires à remettre le produit en bon état de marche. Pour bénéficier de services prévus par la garantie, veuillez communiquer avec le détaillant auprès duquel vous avez acheté la hotte de cuisine, ou encore avec le distributeur Faber de votre région. Si vous n'êtes pas en mesure de localiser un distributeur Faber dans votre région, veuillez communiquer avec nous au 508-358-5353 pour connaître le nom d'un distributeur à proximité.

Les éléments suivants ne sont pas visés par la garantie Faber :

1. Les appels au service de réparation visant à corriger l'installation de la hotte de cuisine, à recevoir des instructions sur l'utilisation de la hotte de cuisine, le remplacement ou la réparation des fusibles du domicile ou la correction des câblages ou de la plomberie du domicile.
2. Les appels au service de réparation visant à réparer ou remplacer les ampoules électriques de hotte, les fusibles ou les filtres. Ces pièces consommables ne sont pas couvertes par la garantie.
3. Les réparations si votre hotte de cuisine est employée à des fins autres que celles prévues, soit l'utilisation résidentielle normale pour une famille.
4. Les dommages découlant d'un accident, d'une modification, de l'utilisation incorrecte ou abusive, d'un incendie, d'une inondation, d'un cas de force majeure, d'une installation inadéquate, d'une installation non conforme aux codes en matière d'électricité ou de plomberie ou à la documentation fournie par Faber, ou encore d'une utilisation du produit non approuvée par Faber.
5. Les frais de main-d'œuvre ou de remplacement des pièces pour les appareils utilisés à l'extérieur des États-Unis ou du Canada, y compris toutes les hottes de cuisine Faber non-UL ou C-UL homologuées.
6. Les réparations à la hotte découlant de modifications non autorisées apportées à la hotte de cuisine.
7. Les frais encourus pour les déplacements et le transport de produits en région éloignée et les frais de cueillette et livraison. La réparation des hottes de cuisine Faber doit être réalisée à domicile.

LA PRÉSENTE GARANTIE NE PRÉVOIT AUCUNE FORME DE DÉDOMMAGEMENT EN CAS DE DOMMAGES ACCESSOIRES OU CONSÉCUTIFS, Y COMPRIS, SANS TOUTEFOIS S'Y LIMITER, LES DOMMAGES DIRECTS, INDIRECTS, ACCESSOIRES, PARTICULIERS OU CONSÉCUTIFS, LES LÉSIONS CORPORELLES/MORTELLES OU LA PERTE DE PROFITS. LA GARANTIE OFFERTE PAR FABER EST LIMITÉE AUX CONDITIONS ÉNONCÉES CI-DESSUS ET À LA PÉRIODE DE GARANTIE INDIQUÉE DANS LES PRÉSENTES ET EST EXCLUSIVE. SAUF DISPOSITIONS EXPRESSES CONTRAIRES DANS LE PRÉSENT ACCORD, FABER DÉCLINE TOUTE CONDITION, REPRÉSENTATION OU GARANTIE EXPLICITE OU IMPLICITE, Y COMPRIS, SANS TOUTEFOIS S'Y LIMITER, TOUTE GARANTIE IMPLICITE DE QUALITÉ MARCHANDE OU D'ADAPTATION À UN USAGE PARTICULIER.

Les droits qui vous sont conférés en vertu de la présente garantie peuvent varier d'une province ou d'un État à l'autre.

N° de modèle : _____

N° de série : _____

4 janvier 2016

LEA Y GUARDE ESTAS INSTRUCCIONES ANTES DE COMENZAR A INSTALAR ESTA CAMPANA

ADVERTENCIA: - PARA REDUCIR EL RIESGO DE INCENDIO DE LA CAMPANA POR GRASA:

- a) Nunca deje las unidades de superficie desatendidas en ajustes altos. Las ebulliciones causan humo y derrames grasientos que pueden encenderse. Caliente los aceites lentamente en ajustes bajos o medios.
- b) Siempre encienda la campana cuando cocine a fuego alto o cuando flamee alimentos (por ej. Crepes Suzette, Cherries Jubilee, Peppercorn Beef Flambé).
- c) Limpie los ventiladores con frecuencia. No se debe permitir que la grasa se acumule en el ventilador o filtro.
- d) Use un tamaño de olla adecuado. Utilice siempre utensilios de cocina apropiados para el tamaño del elemento de superficie.

ADVERTENCIA: - PARA REDUCIR EL RIESGO DE LESIONES A PERSONAS EN CASO DE INCENDIO DE GRASA, TENGA CUENTA LO SIGUIENTE*:

- A) APAGUE LAS LLAMAS con una tapa ajustada, bandeja para hornear galletas o bandeja de metal, luego apague el quemador. TENGA CUIDADO PARA EVITAR QUEMADURAS. Si las llamas no se apagan de inmediato, EVACUE Y LLAME AL DEPARTAMENTO DE BOMBEROS.
- b) NUNCA RECOJA UNA OLLA EN LLAMAS - Puede quemarse.
- c) NO USE AGUA, incluidos paños de cocina húmedos o toallas; se producirá una violenta explosión de vapor.
- D) Use un extintor SOLAMENTE si:
 1. Usted sabe que tiene un extintor Clase ABC y ya sabe cómo operarlo.
 2. El fuego es pequeño y está contenido en el área donde comenzó.
 3. Se llama al departamento de bomberos.
 4. Puede luchar contra el fuego con su espalda hacia una salida.

* Basado en "Kitchen Firesafety Tips" publicado por NFPA

ADVERTENCIA - PARA REDUCIR EL RIESGO DE DESCARGA ELÉCTRICA O INCENDIO, no use este ventilador con ningún dispositivo de control de velocidad de estado.

ADVERTENCIA - PARA REDUCIR EL RIESGO DE INCENDIOS, DESCARGAS ELÉCTRICAS O LESIONES PERSONALES, OBSERVE LO SIGUIENTE:

1. Use esta unidad solo de la manera prevista por el fabricante. Si tiene alguna pregunta, comuníquese con el fabricante.
2. Antes de reparar o limpiar la unidad, apague el equipo en el panel de servicio y bloquee los medios de desconexión del servicio para evitar que la energía se encienda accidentalmente. Cuando los medios de desconexión del servicio no se puedan bloquear, fije de forma segura un dispositivo de advertencia prominente, como una etiqueta, al panel de servicio.

PRECAUCIÓN: Para uso general de ventilación solamente. No lo use para expulsar materiales y vapores peligrosos o explosivos.

ADVERTENCIA - PARA REDUCIR EL RIESGO DE INCENDIOS, DESCARGAS ELÉCTRICAS O LESIONES PERSONALES, OBSERVE LO SIGUIENTE:

1. El trabajo de instalación y el cableado eléctrico deben realizarlo las personas calificadas de acuerdo con todos los códigos y estándares aplicables, incluida la construcción con clasificación de incendio.
2. Se necesita suficiente aire para la combustión adecuada y el escape de gases a través del tubo de humos (chimenea) del equipo que quema combustible para evitar la retrogresión. Siga las directrices del fabricante del equipo de calefacción y las normas de seguridad tales como los publicados por la National Fire Protection Association (NFPA), la American Society for Heating, Refrigeration and Air Conditioning Engineers (ASHRAE) y las autoridades de los códigos locales.
3. Al cortar o perforar la pared o el techo, no dañe el cableado eléctrico ni otros servicios ocultos.
4. Los ventiladores con conductos siempre deben tener salida al exterior.

TODAS LAS ABERTURAS DE LA PARED Y EL PISO DONDE ESTÁ INSTALADA LA CAMPANA SE DEBEN SELLAR.

Esta campana requiere al menos 24" de espacio libre entre la parte inferior de la campana y la superficie de cocción o encimera. Esta campana ha sido aprobada por UL a esta distancia de la placa.

Esta separación mínima puede ser mayor dependiendo de los códigos de construcción locales. Para placas de gas y cocinas combinadas, se recomienda y puede ser necesario un mínimo de 30".

Los armarios superiores a ambos lados de esta unidad deben estar a un mínimo de 18" por encima de la superficie de cocción o la encimera. Consulte las instrucciones de instalación de la placa de cocción o la campana proporcionadas por el fabricante antes de hacer cualquier corte. **INSTALACIÓN EN CASA MÓVIL** La instalación de esta campana debe cumplir con las Normas de seguridad y construcción de viviendas prefabricadas, Título 24 CFR, Parte 3280 (anteriormente Norma federal para construcción y seguridad de casas móviles, Título 24, HUD, Parte 280). Vea los requisitos eléctricos.

REQUISITOS DE VENTILACIÓN

Determine qué método de ventilación es mejor para su aplicación. Los conductos pueden extenderse a través de la pared o el techo.

La longitud de los conductos y la cantidad de codos se deben mantener al mínimo para proporcionar un rendimiento eficiente. El tamaño de los conductos debe ser uniforme. No instale dos codos juntos. Use cinta adhesiva para sellar todas las juntas en el sistema de conductos. Use masilla para sellar la pared exterior o la abertura del piso alrededor de la tapa.

NO se recomiendan conductos flexibles. Los conductos flexibles crean una contrapresión y turbulencias de aire que reducen en gran medida el rendimiento.

Asegúrese de que haya espacio libre adecuado dentro de la pared o el piso para el conducto de escape antes de hacer los cortes. No corte una vigueta o poste a menos que sea absolutamente necesario. Si se debe cortar una vigueta o poste, entonces se debe construir un marco de soporte.

ADVERTENCIA - Para reducir el riesgo de incendio, use solamente conductos de metal.

PRECAUCIÓN - Para reducir el riesgo de incendio y para descargar adecuadamente el aire, asegúrese de sacar el aire hacia el exterior - No expulse los humos en espacios dentro de paredes o techos, áticos, espacios angostos o garajes.



ADVERTENCIA

- El sistema de ventilación **DEBE** terminar fuera del hogar.
- **NO** termine el conducto en un espacio ático o en otro espacio cerrado.
- **NO** use tapones de pared de 4" tipo lavadero.
- **NO** se recomiendan conductos flexibles.
- **NO** obstruya el flujo del aire de combustión y ventilación.
- El incumplimiento de los requisitos de ventilación puede provocar un incendio.

REQUISITOS ELÉCTRICOS

En un circuito separado de fusible de 15 amperios se requiere un suministro eléctrico de solo 120 voltios, 60 Hz CA. Se recomienda un fusible o disyuntor de retardo. El fusible debe dimensionarse según los códigos locales de acuerdo con la clasificación eléctrica de esta unidad, tal como se especifica en la placa de serie / de características situada en el interior de la unidad cerca del compartimiento de cableado de campo.

INSTALACIÓN ELÉCTRICA CON CAJA DE CABLEADO

ESTA UNIDAD DEBE CONECTARSE SOLAMENTE CON ALAMBRE DE COBRE. Los tamaños de los cables deben cumplir con los requisitos del Código Eléctrico Nacional, ANSI / NFPA 70 - última edición, y todos los códigos y ordenanzas locales. El tamaño del cable y las conexiones deben ajustarse a las especificaciones del aparato. Se pueden obtener copias de la norma antes mencionada en:

National Fire Protection Association
Batterymarch Park
Quincy, Massachusetts 02269

Este aparato debe conectarse directamente a la desconexión de fusible (o disyuntor) a través de un cable de cobre flexible, blindado o no metálico. Deje un poco de holgura en el cable para que el aparato pueda moverse si es necesario realizar algún tipo de mantenimiento. En cada extremo del cable de alimentación (en el aparato y en la caja de empalmes) debe encontrarse un conector de conducto de 1/2" certificado UL.

Al hacer la conexión eléctrica, realice un agujero de 1 1/4 "en la pared. Un agujero cortado a través de la madera debe ser lijado hasta que esté liso. Un agujero a través del metal debe tener un ojal.



ADVERTENCIA

- Esta campana requiere conexión eléctrica de tierra.
- Si la tubería de agua fría está interrumpida por juntas de plástico, de materiales no metálicos u otros materiales, NO la utilice para conexión a tierra.
- NO conecte a tierra a una tubería de gas.
- NO tenga un fusible en el circuito neutro o de tierra. Un fusible en el circuito neutro o de tierra podría provocar una descarga eléctrica.
- Consulte con un electricista calificado si tiene dudas acerca de si la campana está correctamente conectada a tierra.
- El incumplimiento de los requisitos eléctricos puede provocar un incendio.

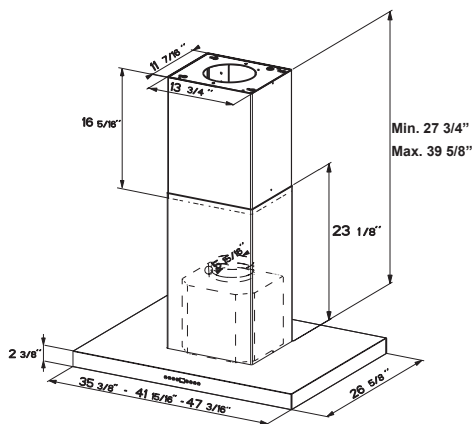
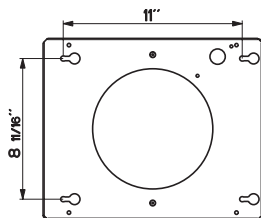
Advertencia de la Propuesta 65 del Estado de California (solo EE. UU.)

ADVERTENCIA

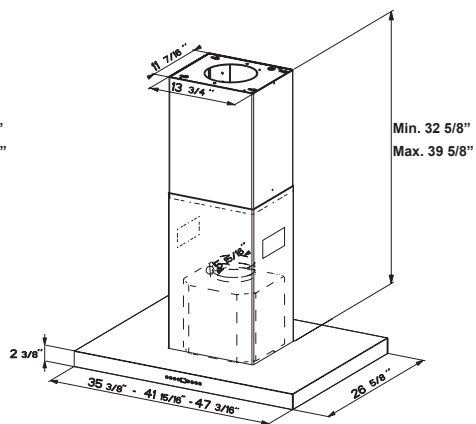
Este producto contiene sustancias químicas que el Estado de California considera que causan cáncer y defectos de nacimiento u otros daños reproductivos.

Para obtener más información, vaya a www.P65Warnings.ca.gov

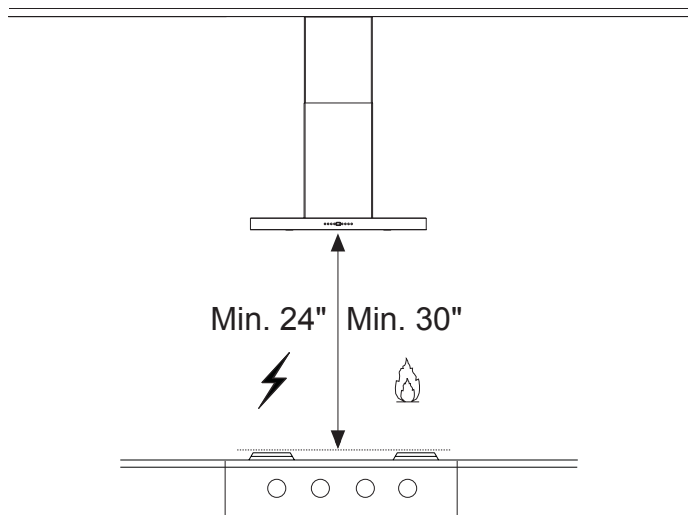
DIMENSIONES DE LA CAMPANA



Instalación de ventilación con conductos



Sin conductos - recirculación
(DUCT2)



PARTES PRINCIPALES

Componentes

Ref. Cdad. Componentes del producto

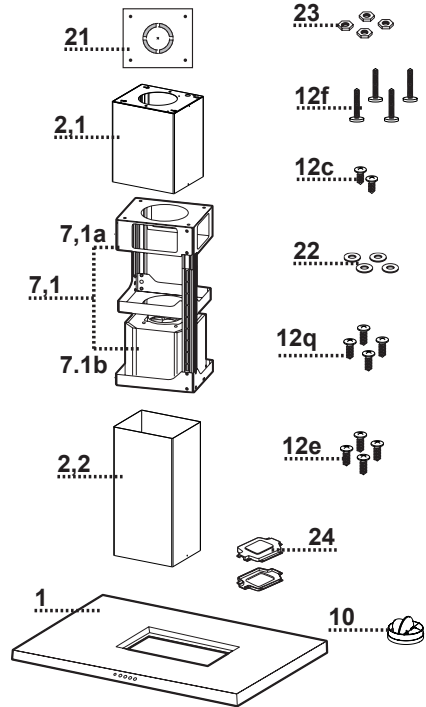
- | | | |
|------|---|--|
| 1 | 1 | Cuerpo de la campana, completo de:
Controles, Luces, Filtros, Ventilador. |
| 2 | 1 | Chimenea telescópica que comprende: |
| 2.1 | 1 | Sección superior |
| 2.2 | 1 | Sección inferior |
| 7.1 | 1 | Bastidor telescópico completo con extractor,
compuesto por: |
| 7.1a | 1 | Marco superior |
| 7.1b | 1 | Marco inferior |
| 10 | 1 | Registro \varnothing 5 7/8 " |
| 24 | 1 | Caja de conexiones |

Ref. Cdad. Componentes de la Instalación

- | | | |
|-----|---|------------------------------------|
| 12f | 4 | Tornillos 1/4" x 3 1/8" |
| 12c | 2 | Tornillos 1/8" x 1/4" |
| 12e | 4 | Tornillos 1/8" x 3/8" |
| 12q | 4 | Tornillos 1/4" x 9/16" |
| 21 | 1 | Plantilla de perforación |
| 22 | 4 | Arandelas de diámetro interno 1/4" |
| 23 | 4 | Tuercas de 1/4" |

Cdad. Documentación

- | | |
|---|-------------------------|
| 1 | Manual de instrucciones |
|---|-------------------------|



Piezas necesarias

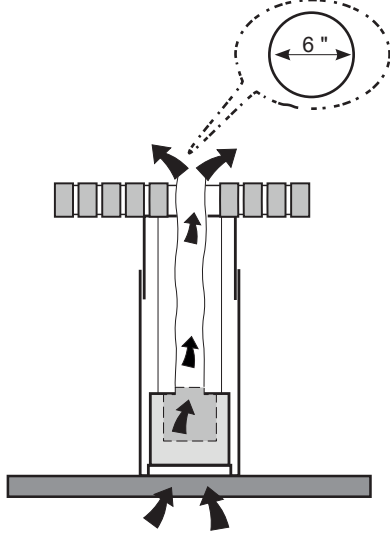
- conducto metálico redondo de 6"

Accesorios disponibles

- Kit de techo alto que sustituye a la chimenea superior. - sku#HIGH2.
- Kit sin conductos - Incluye un desviador sin conductos, filtros de carbón, chimenea inferior con rejillas de ventilación - sku # DUCT2
- Accesorio de filtro de carbón activado - sku # FILTER2
- Accesorio de mando remoto inalámbrico - REMCTRL2

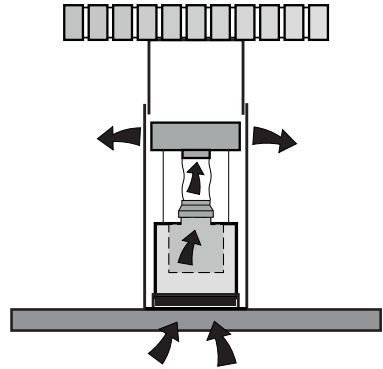
Elija su método de conducción

Instalación de opciones de ventilación con conductos



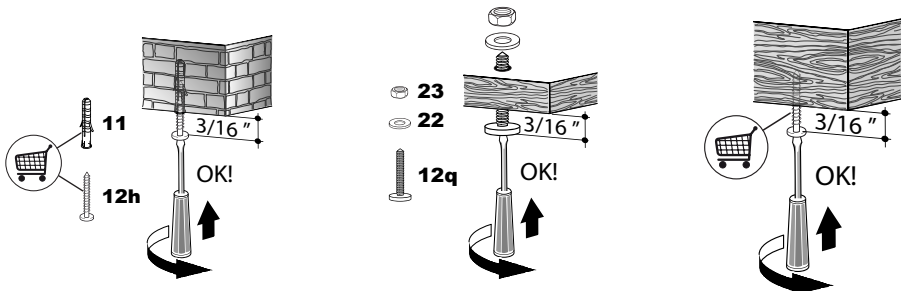
Sin conductos - Opción de recirculación

Requiere kit de accesorios sin conducto (se compra por separado)

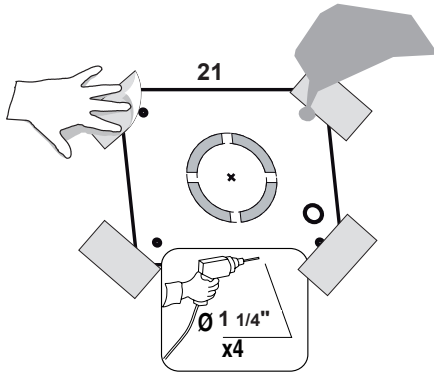
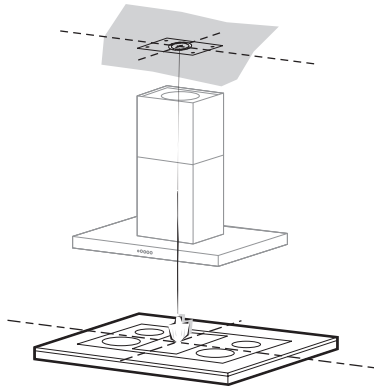


Componentes para instalación en el techo.

Estos sujetadores pueden necesitar ser comprados por separado dependiendo de su instalación.



- 1** No haga recortes hasta que haya decidido si esta instalación se realizará con o sin conducto y luego planifique en consecuencia.



Ponga una cubierta gruesa y protectora sobre la placa de cocción, cocina empotrada o encimera para proteger de daños o suciedad.

Determine y marque claramente con un lápiz en el techo donde se instalará la campana.

La plantilla 21 para el montaje del soporte se suministra en la caja de cartón con el soporte. Utilice esta plantilla para marcar agujeros para el soporte en el techo.

Determine y haga los cortes necesarios para el conducto. La abertura del conducto se muestra en la plantilla de montaje. Instale el conducto antes de montar la campana.

! ADVERTENCIA

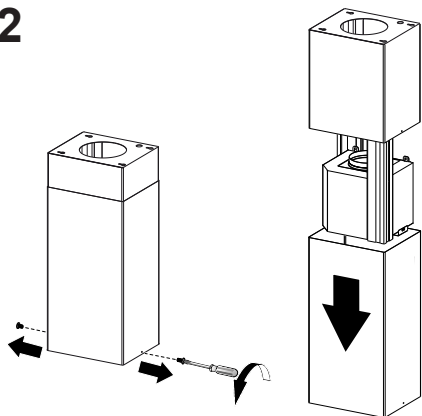
DEBIDO AL TAMAÑO Y AL PESO DE ESTA CAMPANA, EL SOPORTE DEBE ESTAR FIRMEMENTE FIJADO AL TECHO. Para techos de yeso o cartón yeso, el soporte debe estar sujeto a las vigas. Si esto no es posible, se debe construir una estructura de soporte detrás del yeso o el cartón yeso. El fabricante no asume ninguna responsabilidad por lesiones o daños causados por instalaciones inadecuadas.

Determine la ubicación correcta del cable de suministro de energía como se indica en la plantilla. Use 1 broca de 1 1/4" para hacer este agujero. Pase el cable de suministro de energía. Use masilla para sellar alrededor del agujero.

Un punto de salida para pasar cables a través de la fuente de alimentación desde el techo se encuentra en la parte superior del marco. No conecte el cable de alimentación a la caja de cableado ni encienda la campana en este momento. Pase suficiente cable de alimentación desde el techo para alcanzar la caja de cableado de la campana.

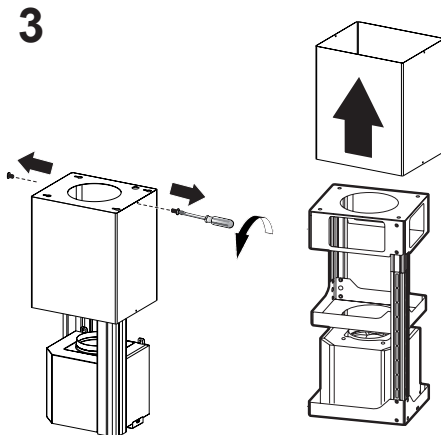
Los tubos de la chimenea deben ser retirados antes de instalar la campana

2



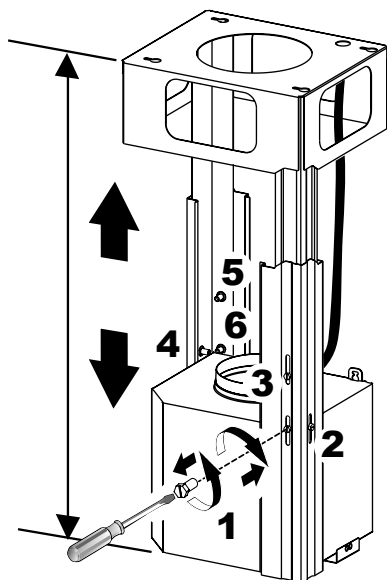
Afloje los dos tornillos que sujetan la chimenea inferior y retírela del marco inferior.

3



Afloje los dos tornillos que sujetan la chimenea superior y retírela del marco superior.

4



Si necesita ajustar la altura del bastidor, proceda de la siguiente manera:

- Afloje los tornillos métricos que unen las dos columnas, ubicadas a los lados del bastidor (1,2,3,4,5,6).
- Ajuste el bastidor a la altura requerida, luego vuelva a colocar todos los tornillos que retiró como se indicó anteriormente.

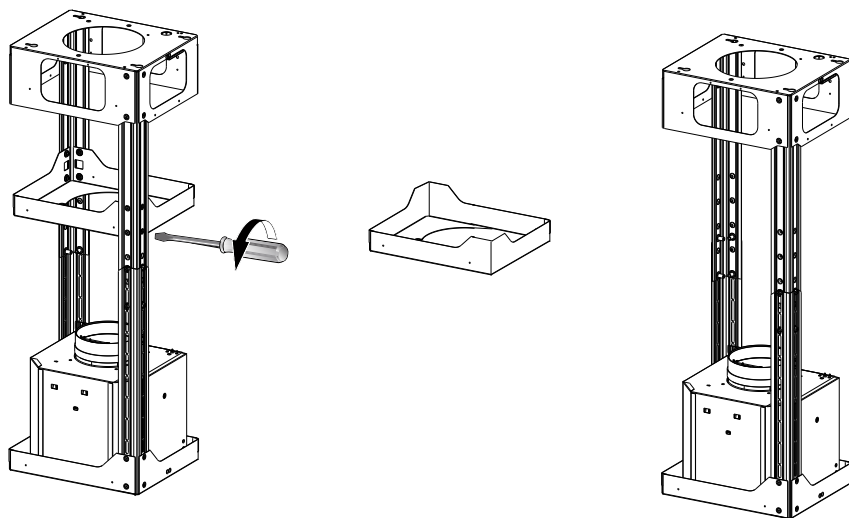
5

ELIMINACIÓN DEL COMPONENTE TRESTILLO MEDIO

NOTAS: La estructura de la chimenea puede reducir hasta una altura mínima de 27". Para reducir la altura, la sección central de la estructura de soporte necesita ser retirada.

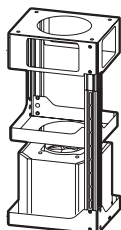
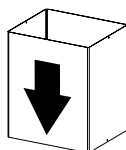
Fuera de la caja, la longitud mínima de la chimenea es de 32".

Asegúrese de que se siga el proceso de instalación descrito en U&C y que haya suficiente estabilidad con la sección media retirada.

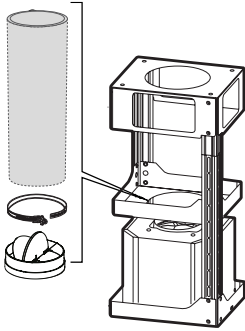


6

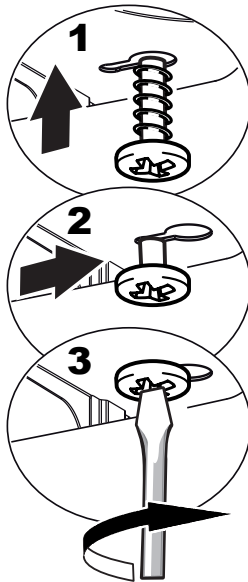
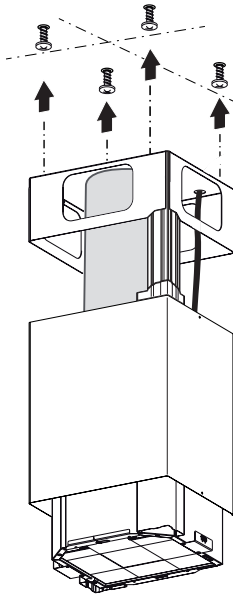
El tubo superior debe estar en su lugar antes de proceder



Después de la regulación para el ajuste de altura, inserte la chimenea superior desde arriba y déjela libre en el bastidor.

7**Solo para instalación de ventilación con conductos**

Instale el registro que se incluye con la campana antes de la conexión a la red de conductos.

8

Ahora tome sus tornillos para madera o pernos dependiendo de su configuración y atornille los cuatro en los orificios piloto y deje 1/4" de las cabezas expuestas.

A continuación, instale un dispositivo antitracción homologado por UL o CSA en la caja de cableado para que los tornillos puedan apretarse después de fijar el soporte de la chimenea al techo.

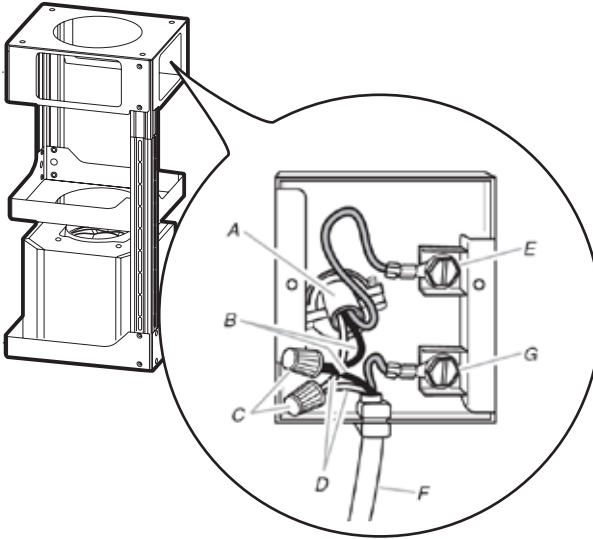
Ahora levante el soporte de la chimenea hasta su posición final y alimente el suministro eléctrico a través del dispositivo antitracción.

A continuación, coloque el soporte de la chimenea de forma que el extremo grande de las ranuras perforadas quede sobre los tornillos o pernos de fijación al techo.

A continuación, empuje el soporte de la chimenea para que los pernos queden en el cuello de las ranuras. Apriete firmemente los cuatro tornillos o pernos.

- Los soportes del bastidor deben ser seguros para soportar el peso de la campana y cualquier tensión causada por el empuje lateral ocasional aplicado al dispositivo. Al terminar, compruebe que la base es estable, incluso si el bastidor está sujeto a flexión.
- En todos los casos en que el techo no sea lo suficientemente resistente en el punto de suspensión, el instalador debe proporcionar el refuerzo utilizando placas adecuadas y piezas de refuerzo ancladas a las partes estructuralmente sólidas.

9



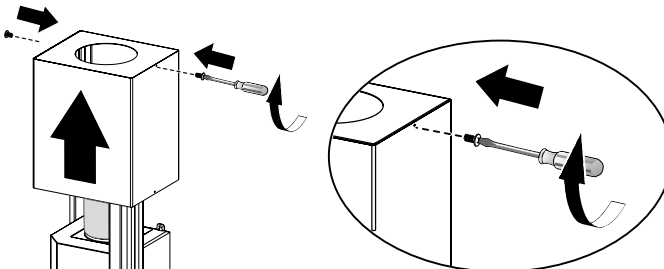
- A. Cable de la fuente de alimentación doméstica**
- B. Cables negros**
- C. Conectores de cable con homologación UL**
- D. Cables blancos**
- E. Cable de tierra verde (o descubierto) de la fuente de alimentación doméstica conectado a un tornillo de tierra verde**
- F. Cable de alimentación de la campana extractora**
- G. Cable de alimentación de la campana extractora conectado al tornillo de tierra verde**

Instalación de la conexión de cableado

Retire la tapa del compartimento de cableado de campo.
NO encienda la unidad hasta que se haya completado la instalación.
Conecte el cable de la fuente de alimentación a la campana.
Conecte el cable de tierra verde (verde y amarillo) debajo del tornillo de conexión a tierra verde.
Conecte el cable blanco de la fuente de alimentación al cable blanco de la campana con un conector de cable tipo twist-on.
Conecte el cable negro de la fuente de alimentación al cable negro de la campana con un conector de cable tipo twist-on.

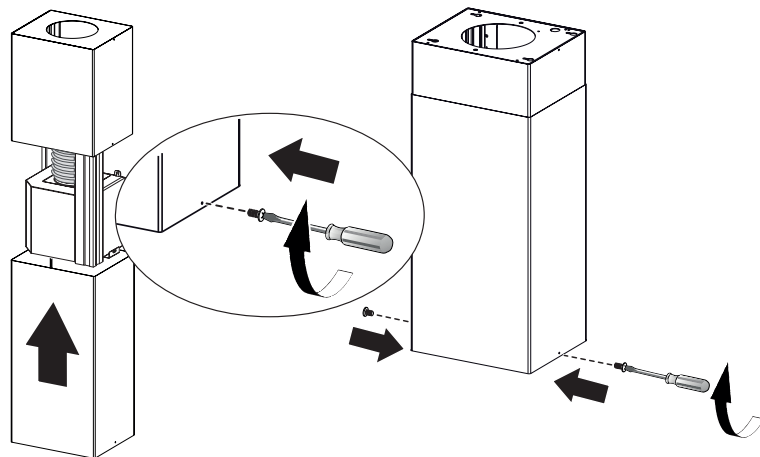
Reemplace la cubierta del compartimento de cableado de campo y los filtros de grasa.

10



Coloque la parte superior de la chimenea y fije la parte superior al bastidor con los 2 tornillos que se han quitado anteriormente.

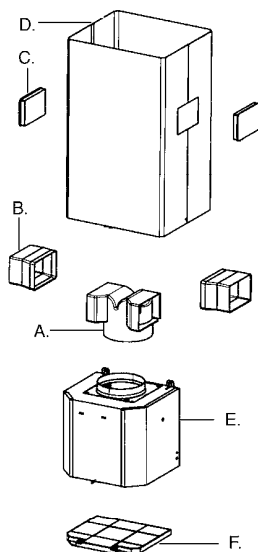
11



Del mismo modo, coloque la parte inferior de la chimenea y fije la parte inferior al marco utilizando los 2 tornillos retirados previamente.

12

Solo para instalaciones sin conductos

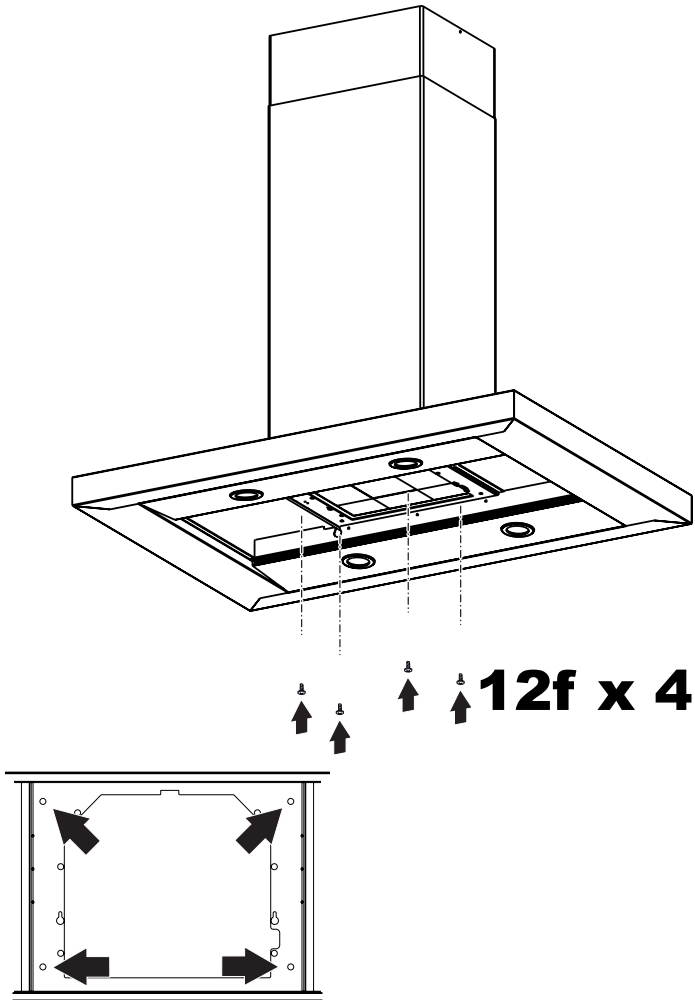


Las instalaciones sin conductos requieren un **Kit de conversi3n sin conductos** cuyos componentes se muestran en la **FIGURA 11**. No utilice el REGISTRO para instalaciones sin conductos. La TAPA DE LA CHIMENEA INFERIOR debe ser desechada y reemplazada por una nueva con orificios del **Kit de conversi3n sin conductos (D en la FIGURA 11)**.

Como se indica en la **FIGURA 11**, coloque el DESVIADOR SIN CONDUCTO (**A**) sobre la abertura de escape del EASY CUBE (**E**). Ajuste las EXTENSIONES HORIZONTALES DEL DESVIADOR SIN CONDUCTO (**B**) en el DESVIADOR (**A**).

Fijación de la capota de la campana

13

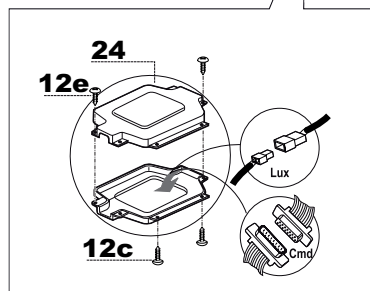
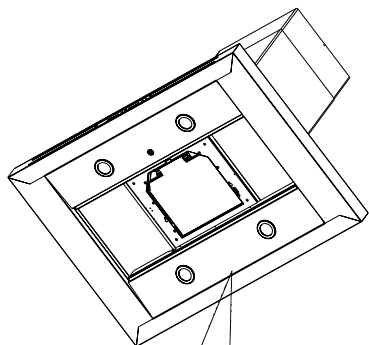


Retire los filtros de grasa de la capota de la campana.
Retire cualquier filtro de carbón activado.

Trabajando desde abajo, fije la capota de la campana al bastidor donde se indica, usando los 4 tornillos 12f, luego apriete todos los tornillos con firmeza.

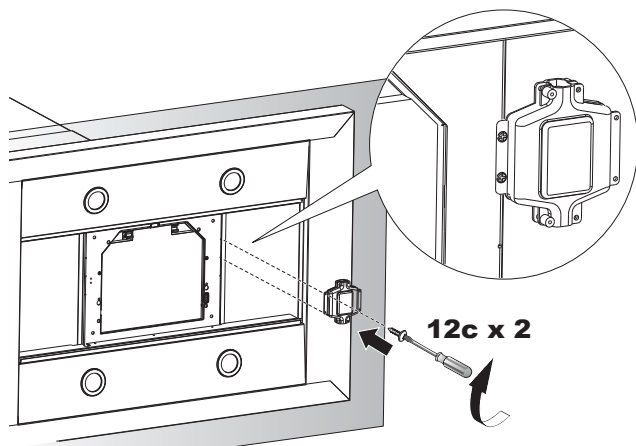
14

Realice la conexión eléctrica interna



Conecte el conector de control Cmd.
Conecte el conector de luces Lux.
Coloque los conectores en la caja de conexiones 24 y ciérrela con los 4 tornillos suministrados.

15

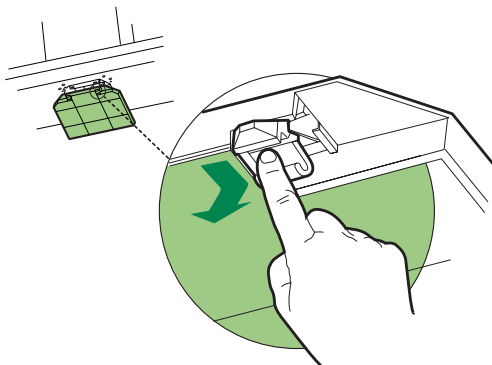


Fije la caja de conexiones al cuerpo de la campana con los 2 tornillos 12c suministrados.

16 Para la opción de recirculación sin conducto

Coloque un filtro de carbón en la posición correcta y bloquéelo con los ganchos de fijación como se muestra.

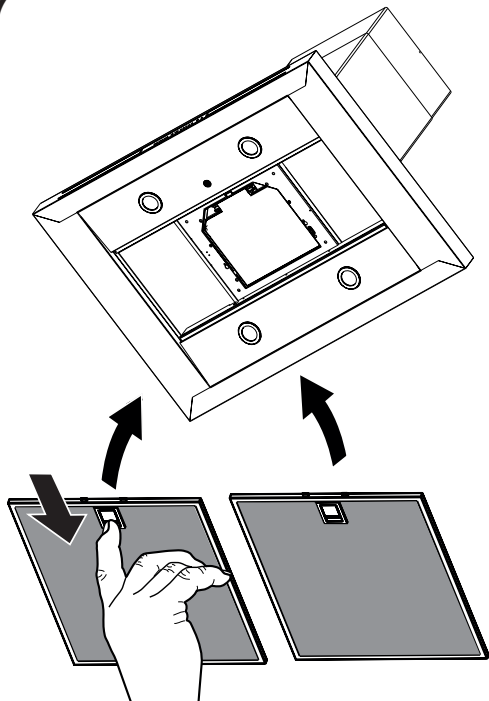
Desbloquee los ganchos de fijación (hacia la parte posterior de la campana de inserción) para extraerlos.



Accesorio de filtro de carbón activado requerido - sku # - FILTER2 (se compra por separado)



17

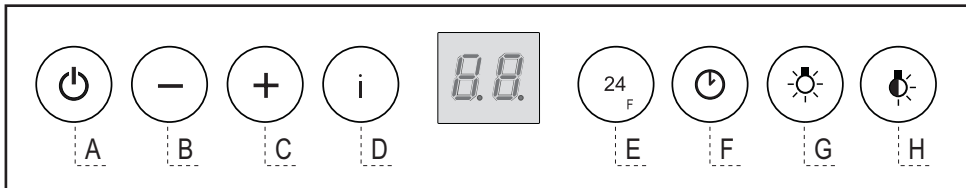


Retire los filtros de grasa de la capota de la campana.

INFORMACIÓN DE USO Y CUIDADO

Para mejores resultados

Encienda la campana varios minutos antes de cocinar para desarrollar un flujo de aire adecuado. Deje que la campana funcione durante varios minutos después de que se complete la cocción para eliminar todo el humo y los olores de la cocina.



Botón	Función	Pantalla
A	Enciende / apaga el motor a la velocidad uno.	Muestra la velocidad establecida
B	Disminuye la velocidad de trabajo.	Muestra la velocidad establecida
C	Aumenta la velocidad de trabajo.	Muestra la velocidad establecida
D	Active la velocidad intensiva desde cualquier otra velocidad, incluido el motor apagado. Esta velocidad está configurada para funcionar durante 6 minutos, después de lo cual el sistema vuelve a la velocidad establecida anteriormente. Adecuado para tratar con niveles máximos de humos de cocina.	Muestra HI y el tiempo restante una vez por segundo.
	Presione y mantenga presionado el botón por aproximadamente 5 segundos, con todas las cargas apagadas (Motor y Luces), para encender y apagar la alarma de Filtro de Carbón Activado.	FC+punto (2 destellos)–Alarma Activada. FC+punto (1 destello)–Alarma Desactivada.
E	Función 24H Enciende el motor de succión a velocidad uno y realiza una extracción de 10 minutos cada hora.	Muestra 24 y el punto en la parte inferior derecha parpadea una vez por segundo, mientras el motor está en marcha. Se desactiva presionando el botón.
	Cuando se dispara la alarma de los filtros, la alarma se puede reiniciar presionando y manteniendo presionado este botón durante aproximadamente 3 segundos. Estas indicaciones solo son visibles cuando el motor está apagado.	FF parpadea tres veces. Cuando el procedimiento termina, la indicación mostrada anteriormente se apaga: FG indica la necesidad de lavar los filtros de grasa metálicos. La alarma se activa después de que la campana ha estado en funcionamiento durante 100 horas de trabajo. FC indica la necesidad de cambiar los filtros de carbón activado y también de lavar los filtros de grasa metálicos. La alarma se activa después de que la campana ha estado en funcionamiento durante 200 horas de trabajo.
F	Función de retardo Active el apagado automático con un retraso de 30'. Adecuado para completar la eliminación de olores residuales. Se puede activar desde cualquier posición y se desactiva presionando el botón o apagando el motor.	Muestra la velocidad de operación y el punto en la parte inferior derecha parpadea una vez por segundo.
	Mantenga pulsado el botón durante aproximadamente 5 segundos, con todas las cargas apagadas (Motor y Luces), para encender y apagar el mando a distancia.	IR+punto (2 destellos) - Control remoto activado. IR+punto (1 destello) - Control remoto apagado.
G	Enciende y apaga el sistema de iluminación a la máxima intensidad.	
H	Enciende y apaga la luz de cortesía.	

Limpeza de los filtros de grasa metálicos

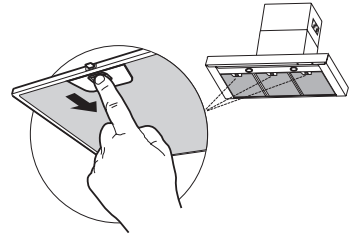
Pueden lavarse en el lavavajillas y deben limpiarse siempre que aparezca la señal **FG** en la pantalla o al menos una vez cada 2 meses de uso, o con mayor frecuencia si el uso es particularmente intensivo.

Restablecer la señal de alarma

- Apaga las luces y el motor de succión, luego desactiva la función de 24 horas, si está activada.
- Presione el botón **E** (vea el párrafo sobre Uso).

Limpeza de los filtros

- Retire los filtros de a uno por vez, empujándolos hacia la parte posterior de la unidad y al mismo tiempo tirando hacia abajo.
- Lave los filtros sin doblarlos y déjelos secar completamente antes de volver a colocarlos. (Si la superficie del filtro cambia de color a medida que pasa el tiempo, esto no tendrá ningún efecto en la eficacia del filtro).
- Reemplace, teniendo cuidado de asegurarse de que la manija mire hacia adelante.
- Asegúrese de eliminar toda el agua y cualquier otro líquido antes de volver a instalar los filtros después de la limpieza.



Reemplazo del filtro de carbón activado

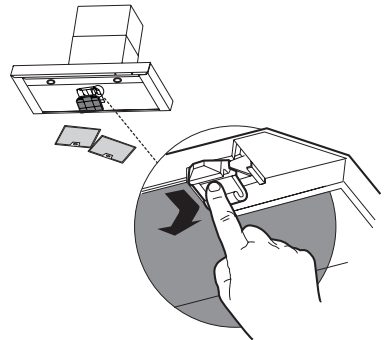
No se puede lavar ni regenerar, y debe cambiarse cuando aparezca el símbolo **FC** en la pantalla, o al menos una vez cada 4 meses. La señal de alarma, si ha sido activada, sólo aparece cuando se enciende el motor de succión.

Restablecer la señal de alarma

- Apaga las luces y el motor de succión, luego desactiva la función de 24 horas, si está activada.
- Presione el botón **E** (vea el párrafo sobre Uso).

Limpeza de los filtros

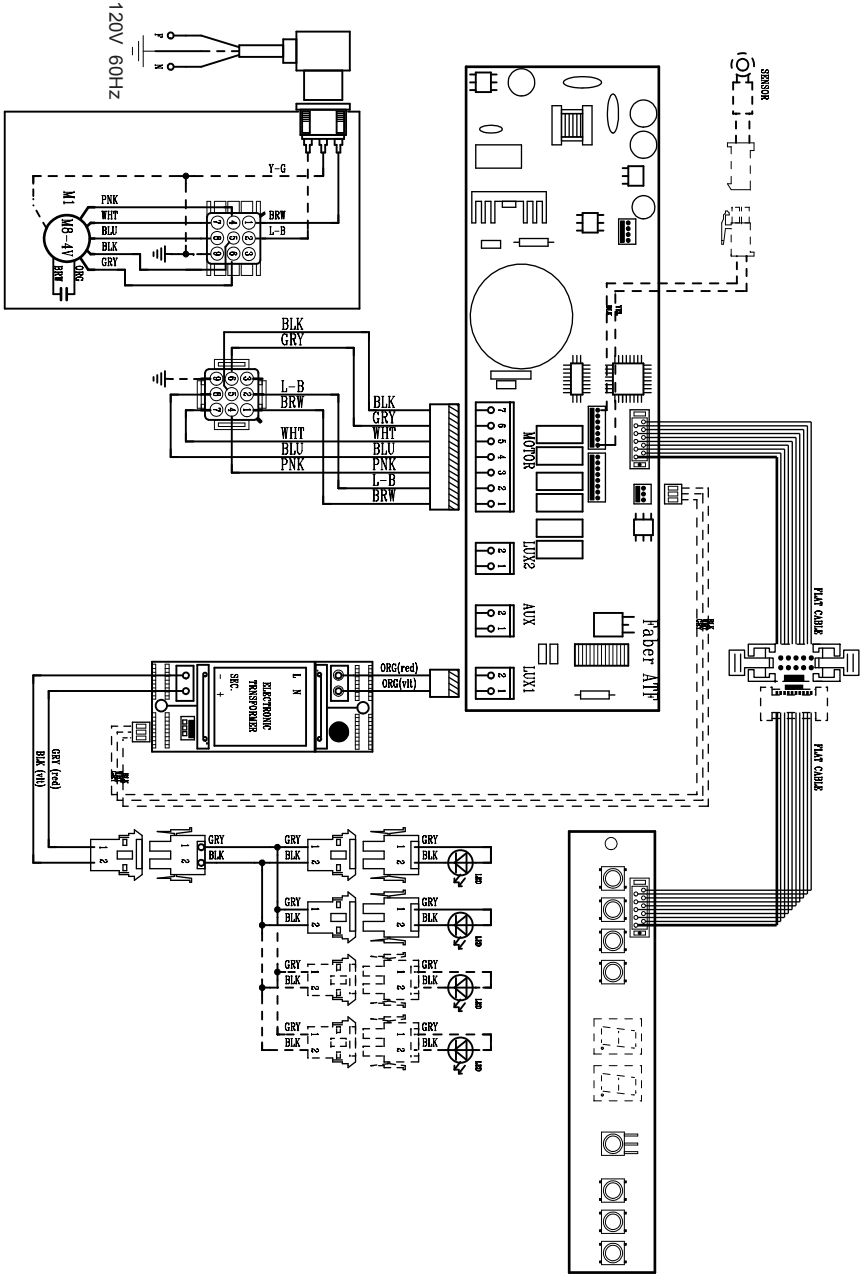
- Retire los filtros de a uno por vez, empujándolos hacia la parte posterior de la unidad y al mismo tiempo tirando hacia abajo.
- Retire el filtro de carbón saturado liberando los ganchos de fijación.
- Coloque el nuevo filtro y ajústelo en su posición correcta.
- Reemplace, teniendo cuidado de asegurarse de que la manija mire hacia adelante.
- **PRECAUCIÓN:** Cuando se utiliza en el modo de recirculación, para reducir el riesgo de incendio y descarga eléctrica, utilice sólo el kit de conversión Modelo FILTER2



Unidad de iluminación

- Las luces LED deben ser reemplazadas por el servicio autorizado por la fábrica Faber.

Diagrama de cableado



Esta garantía Aplica para USA y Canada



GARANTÍA Y SERVICIO AL CONSUMIDOR FABER

Todos los productos Faber están garantizados contra cualquier defecto de materiales o mano de obra para el comprador original por un período de 1 año a partir de la fecha de compra original (requiere prueba de compra). Esta garantía cubre mano de obra y piezas de repuesto. Faber, a su elección, puede reparar o reemplazar el producto o componentes necesarios para restaurar el producto en buenas condiciones de trabajo. Para obtener el servicio de garantía, póngase en contacto con el distribuidor de quien adquirió la campana extractora o con el distribuidor local de Faber. Si no puede identificar a un distribuidor local de Faber, comuníquese con nosotros al (508) 358-5353 para obtener el nombre de un distribuidor en su área.

Lo siguiente no está cubierto por la garantía de Faber:

1. Llamadas de servicio para corregir la instalación de su campana extractora, para instruirle sobre cómo usar su campana extractora, para reemplazar o reparar fusibles de la casa o para corregir el cableado de la casa o la plomería.
2. Llamadas de servicio para reparar o reemplazar las bombillas, fusibles o filtros de la campana extractora. Estas partes de consumibles están excluidas de la cobertura de la garantía.
3. Reparaciones, cuando su campana extractora se utiliza para uso doméstico distinto al normal.
4. Daños resultantes de accidente, alteración, mal uso, abuso, incendio, inundación, eventos naturales, instalación incorrecta, instalación no conforme a los códigos eléctricos o de plomería o la documentación de Faber, o uso de productos no aprobados por Faber.
5. Piezas de repuesto o costos de mano de obra de reparación para unidades operadas fuera de los Estados Unidos o Canadá, incluyendo cualquier campana de cocina Faber no aprobada por UL o C-UL.
6. Reparaciones a la campana resultantes de modificaciones no autorizadas a la misma.
7. Gastos de viaje y transporte para el servicio del producto en lugares remotos, y gastos de recogida y entrega. Las campanas de cocina Faber deben ser reparadas en el hogar.

ESTA GARANTÍA NO PERMITE LA RECUPERACIÓN DE DAÑOS INCIDENTALES O CONSECUENTES, INCLUYENDO, SIN LIMITACIÓN, DAÑOS DIRECTOS, INDIRECTOS, INCIDENTALES, ESPECIALES O CONSECUENTES, LESIONES PERSONALES O MUERTE INCORRECTA O BENEFICIOS PERDIDOS. LA GARANTÍA DE FABER SE LIMITA A LAS CONDICIONES ANTERIORES Y AL PERÍODO DE GARANTÍA ESPECIFICADO AQUÍ Y ES EXCLUSIVA. EXCEPTO DADO LO EXPRESAMENTE ESPECIFICADO EN ESTE ACUERDO, FABER RENUNCIA A TODAS LAS CONDICIONES, REPRESENTACIONES Y GARANTÍAS EXPRESAS O IMPLÍCITAS INCLUYENDO, SIN LIMITACIÓN, CUALQUIER GARANTÍA IMPLÍCITA DE COMERCIABILIDAD O ADECUACIÓN PARA UN PROPÓSITO PARTICULAR.

Esta garantía le otorga derechos legales específicos que pueden variar de estado a estado.

Modelo: _____ Número de serie _____

