

INCA PRO 30 INSERT RANGE HOOD



PROFESSIONAL BUILT IN RANGE HOOD. A high -powered insert that looks as great as it performs. The Inca Pro 30, with its powerful PRO motor and stylish baffle filter system, offers an all-in-one box solution for custom ventilation. For extra capture area and style, the stainless steel liner is available.



AVAILABLE MODELS

Model #	Size / Color	Motor Class (CFM)	Sound Levels (sones)
INPR30SSIB	30 Stainless	600 CFM	3.5 - 6.5 sones

KEY FEATURES



Easy Snap Mounting Clips
Installation with easy with built-in adjustable clips that tighten onto the sides of the cabinet floor



Pro Motor
The motor in this hood is surrounded in metal with all metal impellers for top performance



Baffle Grease Filters
Dishwasher safe SS metal filters capture grease and allow for easy clean up in the dishwasher

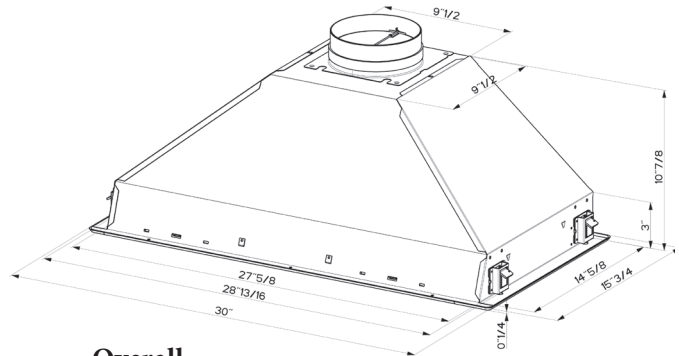
INCA PRO 30 INSERT RANGE HOOD



SPECIFICATIONS

cut out dimensions	28 7/8" W x 14 5/8" D
convertible to ductless / recirculating	yes - purchase separately. Need air return back into the kitchen from the cabinet.
controls	3 speed slider
lighting	2 x 45 (w) halogen
Pro motor	Yes - metal impellers
ducting	6" round top
grease filters	dishwasher safe ss baffle
built in mounting hardware	yes - easy snap mounting clips
AC power	540 watts / 4.6 amps

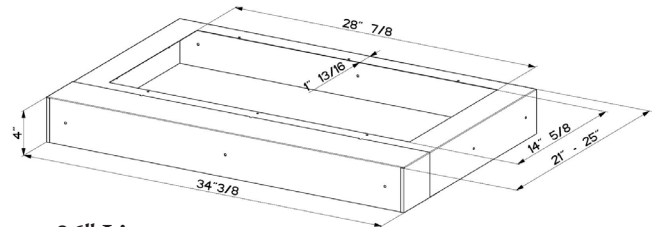
DIMENSIONS



Overall

PERFORMANCE

SPEED	1	2	3
CFM	185	370	560
Sones	2.8	4.5	7.5



36" Liner

ACCESSORIES

CFMRED - CFM Reducer Kit

For use in make up air areas where an under 300 cfm hood is required. This kit reduces the ducting to 5" round and reduces the cfm to under 300

CFMRED2 - CFM Reducer Kit*

For use in make up air environments where an under 400 cfm hood is required. This kit reduces the ducting to 5" round and reduces the cfm to under 400.

FILTER1 - Charcoal Filter Kit

High quality charcoal filter for use when recirculating the air back into the kitchen. Filters out odor and should be replaced every 6 months

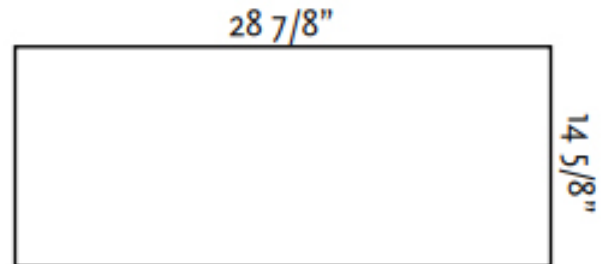
FILTER1LL - Long Lasting Charcoal Filter Kit

New washable charcoal filter can be recharged and washed up to 8 times. For use when recirculating the air back into the kitchen. Filters out odor and can last up to 4 years.

LINE36PR - Create a perfectly-sealed, non-combustible 4" tall perimeter to "line" the wood below the Inca Pro 30. Depth adjustable from 21" - 25".

MUDAMPER6 / MUDAMPER8 - Universal Make-Up Air Damper

Satisfies make-up air requirements, this kit uses an air switch to activate the make-up air damper to open and bring fresh air into the home when the hood fan is on. It then closes tightly when the hood is off. The CFM level is not reduced with this accessory.



Cut Out

WARNING! Product specifications are subject to change without notification. Consult the installation instructions before you begin installing this range hood. * Check local make up air codes for guidelines.



Imagined in Italy

