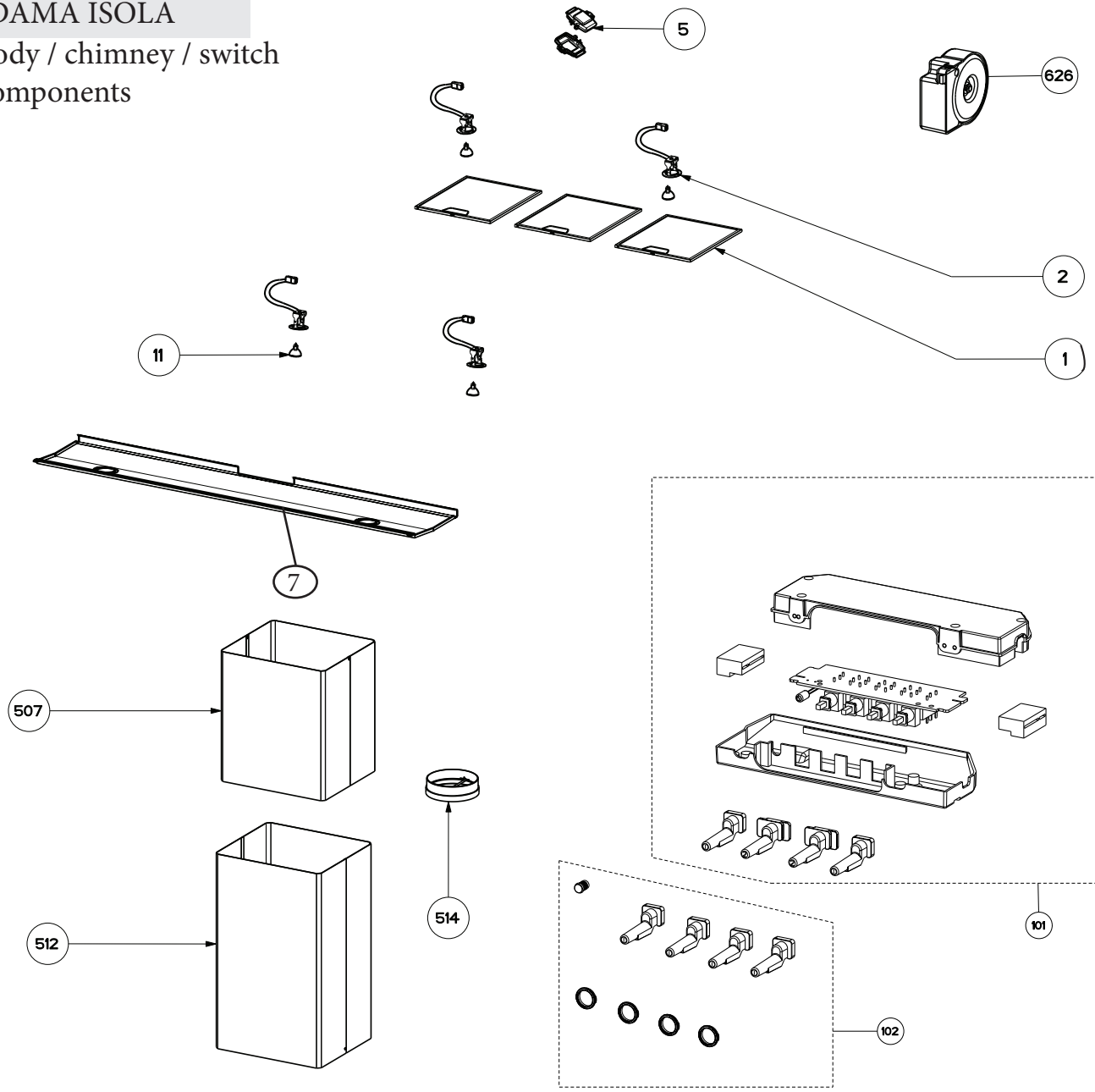


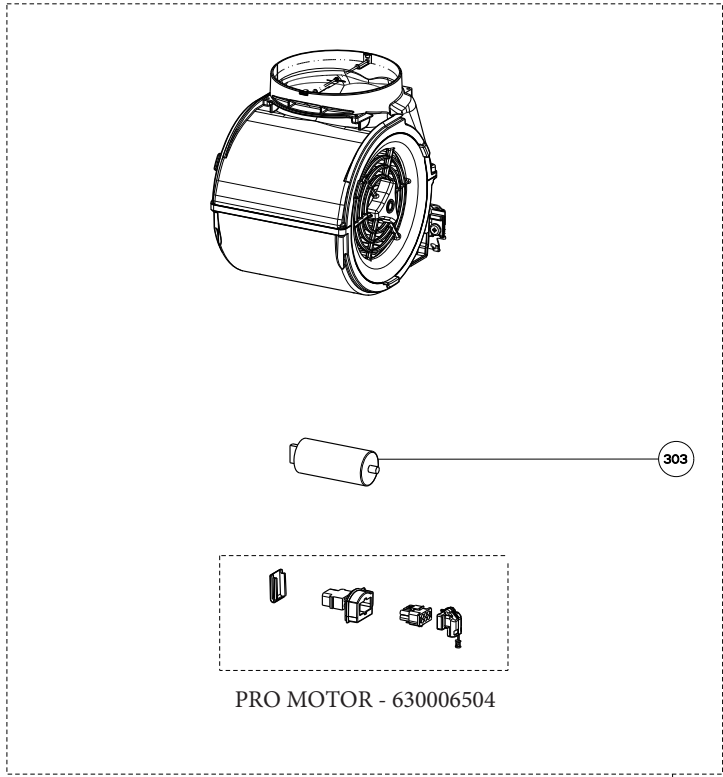
# DAMA ISOLA

body / chimney / switch components

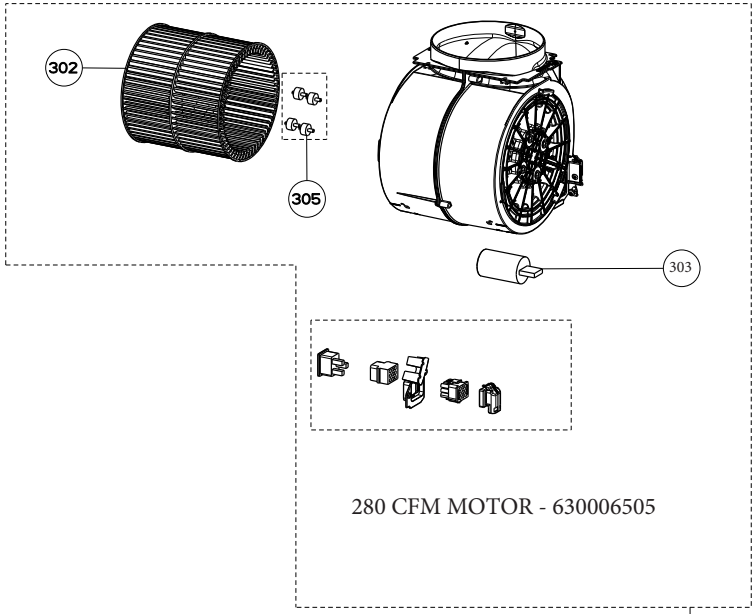


Key	Model Number	630006504	630006505	Qty Req.
	Description	36	36 - 280 cfm	
1	Grease Filter	133.0060.902	133.0060.902	3
2	Lamp Holder	133.0056.061	133.0052.517	4
5	Connector Box	133.0016.977	133.0052.276	1
7	Lamp Holder Frame	133.0018.358	133.0018.358	1
11	Halogen Lamp	133.0046.418	133.0046.418	4
101	Switchboard Kit	133.0056.179	133.0052.515	1
101	Switchboard Kit (T serial # and older)	133.0062.137		1
102	Button and trim ring kit	133.0052.514	133.0052.513	1
507	Upper Chimney Cover	133.0062.273	133.0062.273	1
512	Lower Chimney Cover	133.0057.330	133.0057.330	1
514	Damper	133.0055.994	133.0055.994	1
626	Transformer kit	133.0052.578	133.0052.578	1

**DAMA ISOLA**  
 motor components



399



399

	Model Number	630006504	630006505	
Key	Description	36	36 - 280 cfm	Qty Req.
302	Impeller Kit (2 in kit)		133.0052.519	1
303	Capacitor (Y serial # and older)	133.0060.648	133.0060.648	1
303	Capacitor (S - W serial #)	unavailable	unavailable	1
305	Motor Rubbers Kit (2 in Kit)		133.0051.603	1
399	Motor Group	133.0055.998	133.0052.518	1

# DAMA ISOLA

## installation hardware



	Model Number	630006504	630006505	
Key	Description	36	36 - 280 cfm	Qty Req.
	Mounting Kit Island	133.0084.479	133.0084.479	1
A	4 Bolts to Attach Canopy to Chimney			1
B	Wood Shelf Nut			1
C	Wood Shelf Washer			1
D	Wood Shelf Bolt			1
E	Wood Screw			1
F	Connector Box w/screws			1
G	Chimney Screws			1