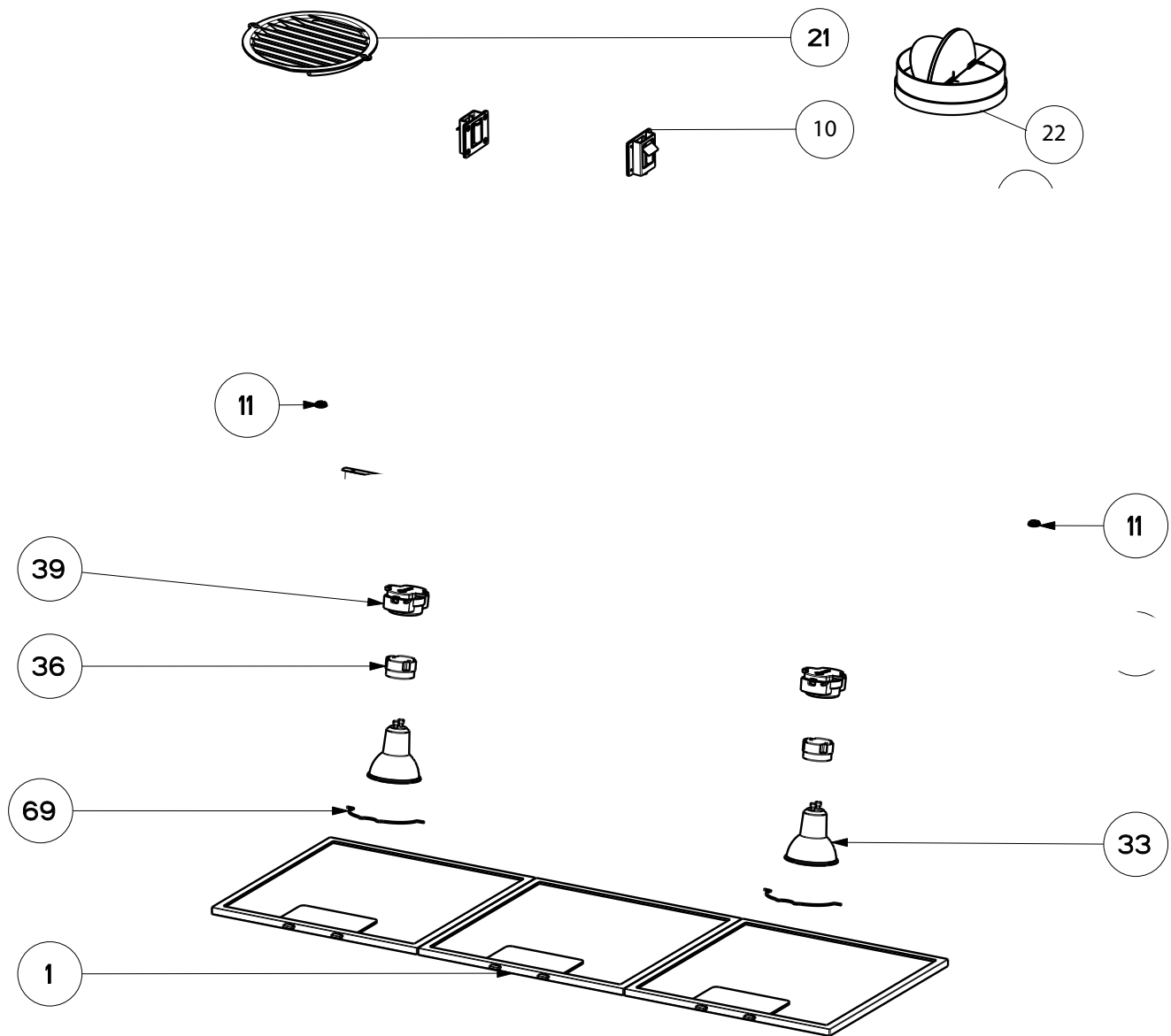


INCA HC 2018 ELECTRONIC CONTROLS

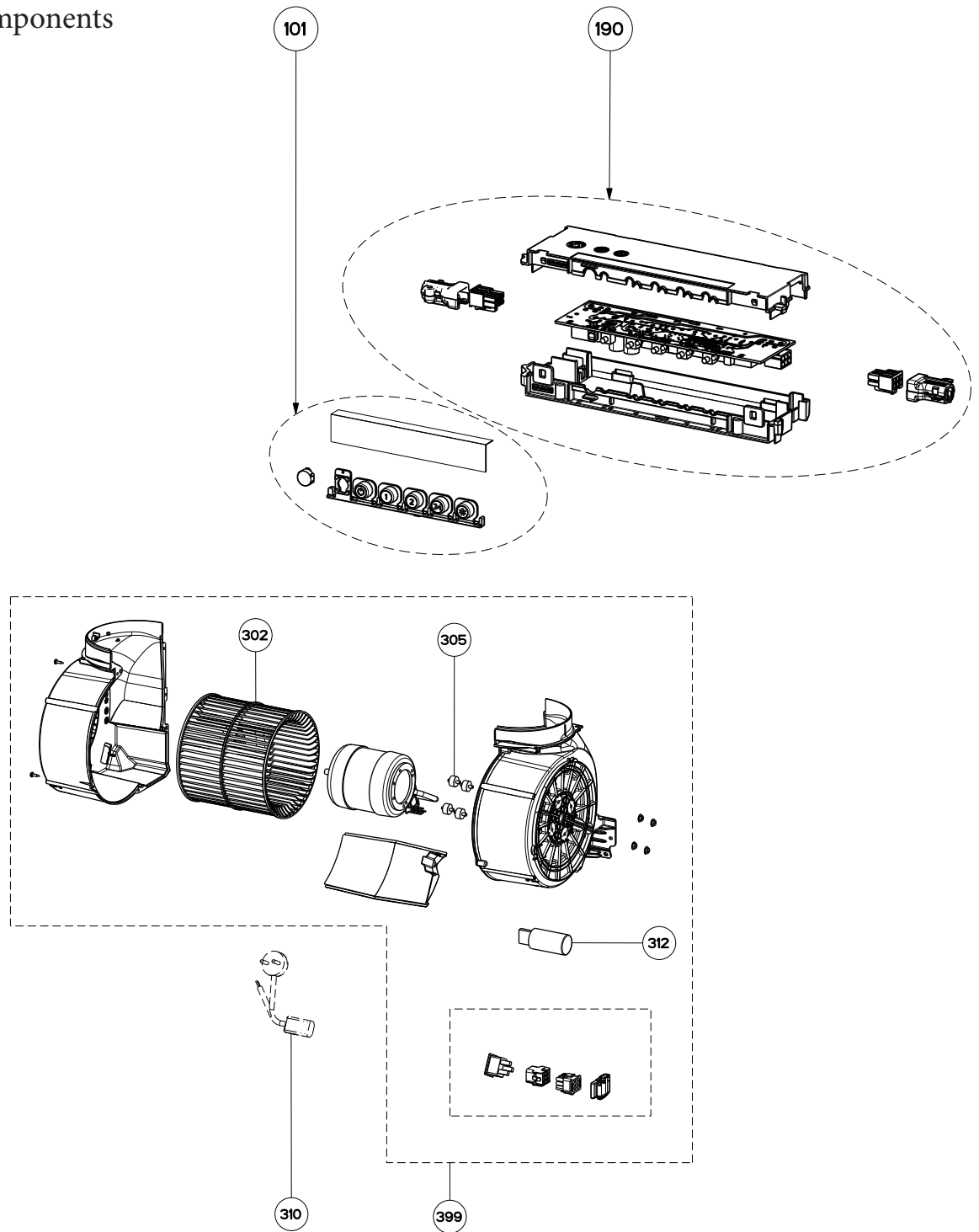
body components



	Model Number	INHC29SS600-B	INHC29SS400	
Key	Description	29 Stainless	29 Stainless	Qty Req.
1	Grease Filters	133.0189.437	133.0189.437	3
10	Hinge Clips Kit (2 in kit)	133.0078.993	133.0078.993	1
11	Plastic Covers	133.0017.608	133.0017.608	1
21	Vent Grate	133.0016.964	133.0016.964	1
22	Damper	133.0055.994	133.0055.994	1
33	Halogen Lamp 35 W GU10	133.0380.488	133.0380.488	2
36	Lamp Holder	133.0071.013	133.0071.013	1
39	Lamp holder Support	133.0198.226	133.0198.226	2
69	Bulb Clip	133.0200.447	133.0200.447	1

INCA HC 2018 ELECTRONIC CONTROLS

switch / motor components



Key	Model Number	INHC29SS600-B	INHC29SS400	Qty Req.
101	Control Button Kit	133.0380.478	133.0380.478	1
190	Control Board Kit	133.0381.773	133.0381.773	1
302	Impeller Kit	133.0052.799	133.0502.222	1
305	Rubber Motor Mount	133.0051.604	133.0051.603	1
310	Power Cord	133.0381.468	133.0381.468	1
312	25 MF Capacitor	133.0060.648	133.0060.648	1
399	Motor Kit	133.0381.523	133.0491.511	1