

AN UPDATED GLASS WALL HOOD WITH ADVANCED FEATURES. The new and improved Tratto by Faber now with VAM technology features a stunning curved glass body with advanced electronic controls, an optional remote control and energy efficient LED lights. The Tratto delivers a stylish and contemporary curved glass wall range hood.

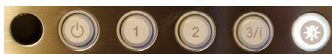


AVAILABLE MODELS

Model #	Size / Color	Set your CFM level	Sound Levels (sones)
TRAT30SSV	30" Stainless	295, 395, 600 CFM	2.8 - 7.5
TRAT36SSV	36" Stainless	295, 395, 600 CFM	2.8 - 7.5

Note: Set to 600 CFM motor class out of the box.

KEY FEATURES



Backlit Electronic Controls

Backlit electronic controls with a White LED light to indicate the current speed and lighting



LED Bulbs

Low consumption 1 watt LED bulbs light up your cooking but use very little energy



Remote Control (optional)

Control all features of the hood from the convenience of a ADA compliant wireless remote control (sold separately)



Ductless Chimney

An upper chimney with return air grates on the side is included. Just purchase the ductless kit to complete the ductless installation.

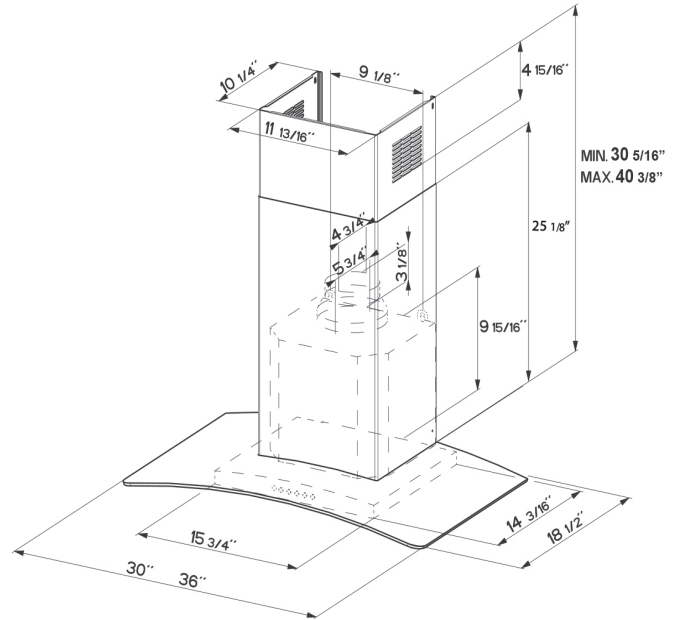
TRATTO WALL RANGE HOOD



SPECIFICATIONS

min. / max. ceiling height	8' 2" - 9' 3/16"
convertible to ductless / recirculating	yes - with DUCT4
canopy depth / height	18 1/2" d / 1 11/16" h
high ceiling kit	yes - reaches up to 11' ceilings
Variable Air Management	yes (set to 295, 395, 600 cfm)
controls	4 speed electronic w/ white led
lighting	2 x 1 (w) LED
ducting top	6" round
grease filters	dishwasher safe mesh
10 minute intensive speed	yes
15 minute auto shut off	yes
ADA compliant	yes (with remote control purchase)
power cord included	yes
AC power	320 watts / 2.7 amps

DIMENSIONS



PERFORMANCE

	SPEED	1	2	3	BOOST
CFM		150	295	395	560
Sones		2.8	4.3	6.0	7.5

ACCESSORIES

FILTER2 - Charcoal Filter Kit

High quality charcoal filter for use when recirculating the air back into the kitchen. Filters out odor and should be replaced every 6 months

HIGH3 - High Ceiling Kit

High ceiling kit replaces both the upper & lower chimney with 2 taller chimneys to reach up to 11'

DUCT4 - Ductless Conversion Kit

To convert the Tratto to ductless, this kit includes charcoal filters and a diverter to send the air thru the side grates on the upper chimney.

REMCTRL2 - Remote Control

Control all features of the hood from the convenience of a wireless remote control

WIREBOX - Fixed Wiring Box

Replace the power cord with a hard wired box to power the range hood

MUDAMPER6 /MUDAPER8 Universal Make-Up Air Damper

Satisfies make-up air requirements, this kit uses an air switch to activate the make-up air damper to open and bring fresh air into the home when the hood fan is on. It then closes tightly when the hood is off. The CFM level is not reduced with this accessory.

WARNING! Product specifications are subject to change without notification. Consult the installation instructions before you begin installing this range hood. * Check local make up air codes for guidelines.

