

REDEFINING LUXURY AND RANGEHOOD TECHNOLOGY. The zoom is a chandelier style up and down motion range hood that will add elegance and luxury functionality to island installations. Use the Zoom cylinder by itself, the white glass OR stainless steel lamp shade with lighting or use your own custom shade. The lamp shade offers 6 LED ceiling lights wired to a separate on / off switch.



ZOOMIS16SS400-B
shown



ZOOMIL16SS400
with VANILLA-SH

ZOOMIL16SS400
with OCEANA-SH

AVAILABLE MODELS

model #	description	size / color	cfm	sones
ZOOMIS16SS400-B	Zoom	16" SS	400	1.0 - 6.6
ZOOMIL16SS400*	Zoom with ceiling light fixture*	16" SS*	400	1.0 - 6.6

* choose a shade	size / color*
VANILLA-SH	21" WH
OCEANA-SH	21" SS

* Choose the Zoom Island Hood (ZOOMIS16SS400-B) by itself OR Zoom Island plus Ceiling Light Fixture (ZOOMIL16SS400). Vanilla OR Oceana shades kits pair with the ZOOMIL16SS400



ZOOMIL16SS400 with
CUSTOM SHADE

KEY FEATURES



Remote Control (included)
Control all features of the hood from the convenience of a wireless remote control



Charcoal Filter (included)
High quality charcoal filter to clean and recirculate the air



6 LED Lights (ZOOM-IL16SS400)
The IL version of the Zoom lights the area with 6 energy efficient LED lights.



Up/Down Technology
The hood can be lowered and retracted easily with the included remote control.

ZOOM

UP/DOWN ICONIC RANGE HOOD

FABER
AIR MATTERS

SPECIFICATIONS

Min. / Max ceiling height (IL)	8' min - 9' max
Min. / Max ceiling height (IS)	7' min - 9' max
Maximum Zoom movement	34"
Zoom width height	16 1/8" 16 5/16"
recirculation only (NON-DUCTED ONLY)	Yes - charcoal filters included
controls	5 speed digital control
lighting (Zoom hood IS and IL)	4 LED (1 Watt) - spot lights
lighting (Ceiling fixture IL)	6 LED (1Watt) - spot lights
24-hour antipollution mode	yes
30 Minute delay auto shut off	yes
Perimetric filter system	yes
10 Minute Intensive speed	yes
grease filters	dishwasher safe mesh
ADA compliant	yes - remote control included
AC power	350 watts / 2.9 amps

PERFORMANCE

	SPEED	1	2	3	BOOST
CFM		150	250	350	390
Sones		1	3	5.1	6.6

IMPORTANT NOTE: Custom designed shades must be at least 16 15/16" high x 20 1/4" wide. Shade materials must be made of non-combustable materials.

ACCESSORIES

FILTER1 - Charcoal Filter Kit
High quality charcoal filter for use when recirculating the air back into the kitchen. Filters out odor and should be replaced every 6 months.

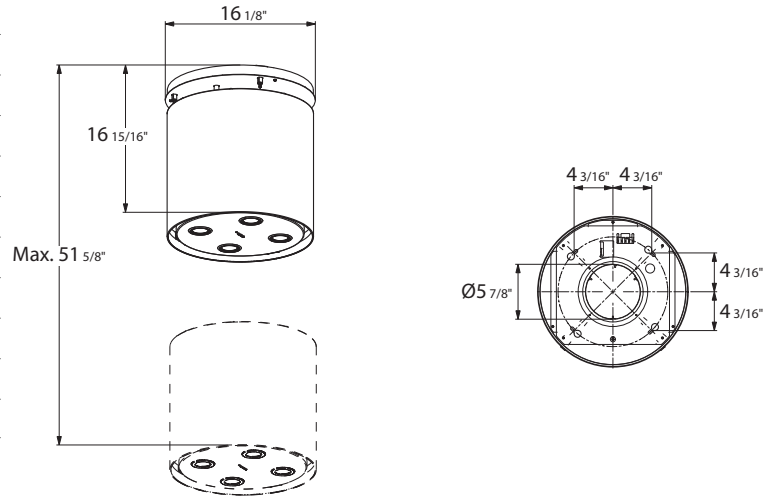
FILTER1LL - Long Lasting Charcoal Filter Kit
New washable charcoal filter can be recharged and washed up to 8 times. For use when recirculating the air back into the kitchen. Filters out odor and can last up to 4 years

DIMENSIONS

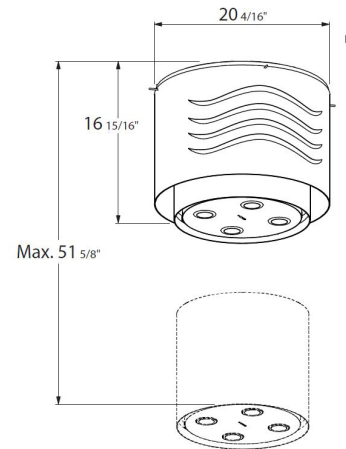
ZOOMIS16SS400-B

ZOOMIS16SS400-B Top Diagram

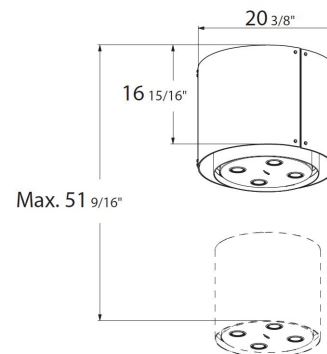
RANGEHOOD DIMENSIONS



ZOOMIL16SS400 with Oceana



ZOOMIL16SS400 with Vanilla



WARNING! Product specifications are subject to change without notification. Consult the installation instructions before you begin installing this range hood. * Check local make up air codes for guidelines.

