

A VALUE ALTERNATIVE IN CANOPY WALL HOODS. DESIGNED TO OFFER A PREMIUM LOOK WITHOUT THE HIGH-END PRICE TAG, THE CLASSICA OFFERS TRADITIONAL STYLING, DESIGNER FEATURES AND SOLID PERFORMANCE THAT MAKE THE CLASSICA A GREAT VALUE IN CANOPY RANGE HOODS.



AVAILABLE MODELS

Model #	Size / Color	Motor Class (CFM)	Sound Levels (sones)
CLAS30SS	30" Stainless	600 CFM	2.8 - 7.5
CLAS36SS	36" Stainless	600 CFM	2.8 - 7.5

KEY FEATURES



Electronic controls

Backlit electronic controls with a blue LED light to indicate the current speed and lighting on/off.



Lower ductless chimney

An upper chimney with return air grates on the side is included. Just purchase the ductless kit to complete the ductless

Mesh



Optional (Baffle)



Easy care filters

Easy to clean dishwasher safe mesh filters (included) or dishwasher safe stainless steel baffle (option) with easy latch for effortless removing and replacing for cleaning.

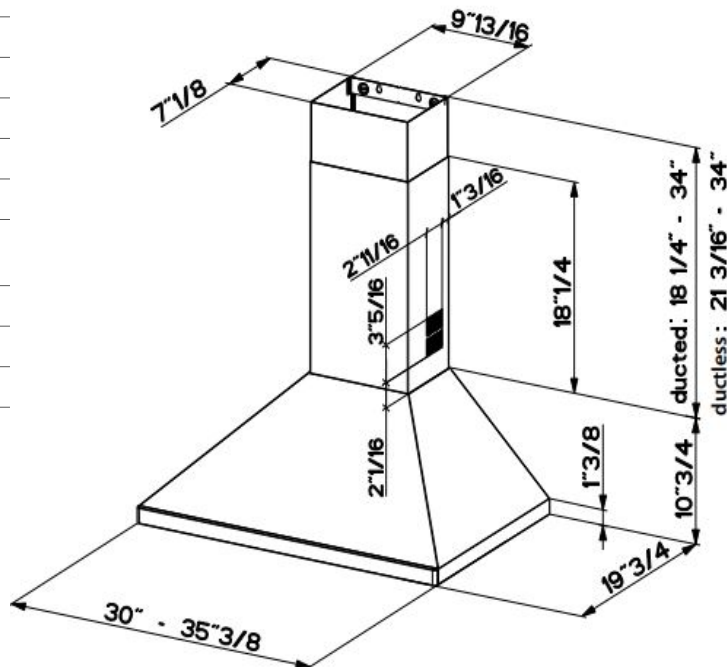
CLASSICA WALL RANGE HOOD



SPECIFICATIONS

min. / max. ceiling height	7' 5" - 9' 2 3/4"
convertible to ductless / recirculating	yes - with DUCTCLAS
canopy depth / height	19" d 10 3/4" h
high ceiling kit	yes - reaches up to 11' 1/2" ceilings
controls	4 speed push button w/ blue LED
lighting	2 x 20 (W) halogen
ducting top	6" round
grease filters	dishwasher safe mesh and optional stainless steel kit
10 minute intensive speed	yes
AC input	120 V - 60 hz
AC power	max 370 W 2.1 amps

DIMENSIONS



PERFORMANCE

	SPEED	1	2	3	BOOST
CFM		250	350	450	560
sones		2.8	4.3	6.0	7.5

ACCESSORIES

FILTER1 - Charcoal Filter Kit

High quality charcoal filter for use when recirculating the air back into the kitchen. Filters out odor and should be replaced every 6 months

HIGHCLAS - High Ceiling Kit

One 39" upper chimney to replace 15 3/4" upper chimney that comes with the hood.

DUCTCLAS - Ductless Conversion Kit

To convert the Classica to ductless, this kit includes charcoal filters and a diverter to send the air thru the side grates on the lower chimney.

BAFFLE2 (30") / BAFFLE3 - (36") Baffle Filter Kit

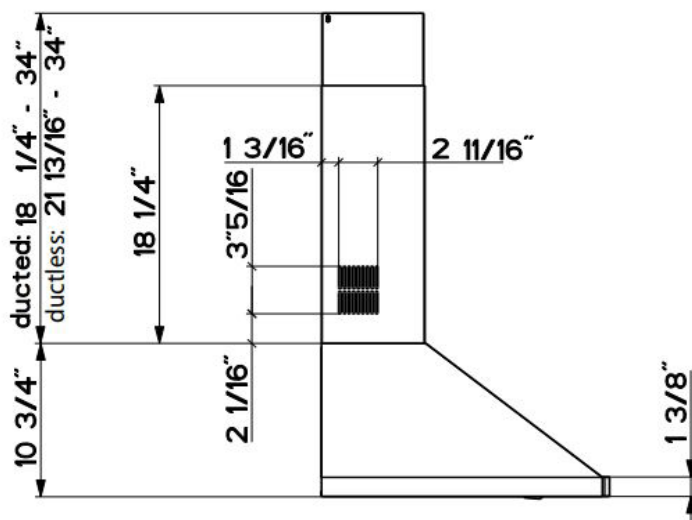
Upgrade mesh grease filters to stainless baffle grease filters. BAFFLE2 for 30" models, BAFFLE3 for 36" models.

WIREBOX - Fixed Wiring Box

Replace the power cord with a hard wired box to power the range hood

MUDAMPER6 / MUDAMPER8 - Universal Make-Up Air Damper

Satisfies make-up air requirements, this kit uses an air switch to activate the make-up air damper to open and bring fresh air into the home when the hood fan is on. It then closes tightly when the hood is off. The CFM level is not reduced with this accessory.



WARNING! Product specifications are subject to change without notification. Consult the installation instructions before you begin installing this range hood. * Check local make up air codes for guidelines.

