

GLASSY WALL RANGE HOOD



AN UPDATED GLASS WALL HOOD WITH ADVANCED FEATURES. The new and improved Glassy by Faber features a stunning flat glass body with advanced electronic controls, an optional remote control and one level energy efficient LED lights. Available with a 600 or 300 cfm motors, the Glassy delivers your choice of performance level in a stylish and contemporary flat glass wall range hood.



AVAILABLE MODELS

Model #	Size / Color	Motor Class (CFM)	Sound Levels (sones)
GLAS30SS600-B	30" Stainless	600 CFM	2.8 - 7.5
GLAS36SS600-B	36" Stainless	600 CFM	2.8 - 7.5
GLAS30SS300-B	30" Stainless	300 CFM	2.5 - 5.0
GLAS36SS300-B	36" Stainless	300 CFM	2.5 - 5.0

KEY FEATURES



Backlit electronic controls
Backlit electronic controls with a White LED light to indicate the current speed and two level lighting.



LED bulbs
Low consumption 1 watt LED bulbs with a dimmer light up your cooking but use very little energy.



Remote Control (optional)
Control all features of the hood from the convenience of a wireless remote control (sold separately).



Ductless Chimney
An upper chimney with return air grates on the side is included. Just purchase the ductless kit to complete the ductless installation.

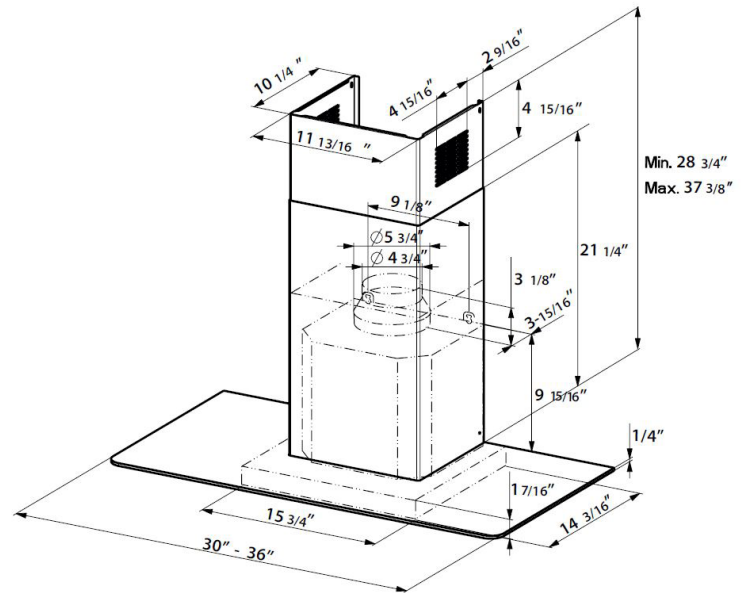
GLASSY WALL RANGE HOOD

FABER
AIR MATTERS

DIMENSIONS

SPECIFICATIONS

min. / max. ceiling height	7' 6" 7/16" - 8' 9 1/16"
convertible to ductless / recirculating	yes - kit sold separately
canopy depth / height	18 1/2" d / 1 11/16" h
high ceiling kit	yes - reaches up to 11' ceilings
controls	4 speed electronic w/ white led
lighting	2 x 1 (w) led - one level
ducting top	6" round
grease filters	dishwasher safe mesh
10 minute intensive speed	yes
15 minute auto shut off	yes
ADA compliant	yes (with remote control purchase)
power cord included	yes
AC power	320 watts / 2.7 amps (600 cfm model)



PERFORMANCE

SPEED	1	2	3	BOOST
CFM	150	300	450	560
Sones	2.8	4.3	6.0	7.5

ACCESSORIES

FILTER2 - Charcoal Filter Kit

High quality charcoal filter for use when recirculating the air back into the kitchen. Filters out odor and should be replaced every 6 months

HIGH3 - High Ceiling Kit

High ceiling kit replaces both the upper & lower chimney with 2 taller chimneys to reach up to 11'

DUCT4 - Ductless Conversion Kit

To convert the Tratto to ductless, this kit includes charcoal filters and a diverter to send the air thru the side grates on the upper chimney.

REMCTRL2 - Remote Control

Control all features of the hood from the convenience of a wireless remote control

WIREBOX - Fixed Wiring Box

Replace the power cord with a hard wired box to power the range hood

MUDAMPER6 / MUDAMPER8 - Universal Make-Up Air Damper

Satisfies make-up air requirements, this kit uses an air switch to activate the make-up air damper to open and bring fresh air into the home when the hood fan is on. It then closes tightly when the hood is off. The CFM level is not reduced with this accessory.

WARNING! Product specifications are subject to change without notification. Consult the installation instructions before you begin installing this range hood. * Check local make up air codes for guidelines.

