

A NEW CHOICE IN AFFORDABLE UNDER CABINET HOODS. The new Ostro by Faber is an affordable under cabinet hood with a pro depth of 23" and a 400 CFM blower. With baffle style grease filters, top or direct rear venting and a 4 speed control, this pro style hood can be easily matched with any kitchen decor.



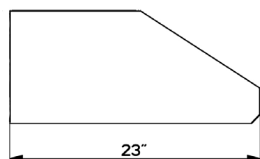
## AVAILABLE MODELS

Model #	Size / Color	Motor Class (CFM)	Sound Levels (sones)
OSTR30SS400	30 Stainless	400 CFM	1.0 - 6.6 sones
OSTR36SS400	36 Stainless	400 CFM	1.0 - 6.6 sones

## KEY FEATURES



**VariDuct System**  
**Top and Rear Direct Venting**  
Easy kitchen integration with top and direct rear venting and recirculation options.



**Pro Depth of 23"**  
A value hood with the luxury of pro-styling including a full 23" depth bullnose.



**Upgradeable to LED**  
Halogen lamp may be upgraded to the compatible LED GU10 self-ballasted lamp. (Spare part available)



**Baffle Grease Filters**  
Dishwasher safe SS metal filters capture grease and allow for easy clean up in the dishwasher

## SPECIFICATIONS

depth / height	23" d / 10" h
convertible to ductless / recirculating	yes - kit sold separately
controls	4 speed electronic push button controls
mounting height from cooking surface	24" - 30"
lighting	2 halogen / convertible to LED
vari-duct	Yes - 6" round (top or back)
grease filters	dishwasher safe stainless steel baffle
make up air compliant*	yes (400 CFM code areas)
ac power	350 watts / 2.9 amps

## PERFORMANCE

	SPEED	1	2	3	4
CFM		150	250	350	390
Sones		1.0	3.0	5.1	6.6

## ACCESSORIES

### # CFMRED2

#### CFM Reducer Kit\*

For use in make up air environments where an under 300 cfm hood is required. This kit reduces the ducting to 5" round and reduces the cfm from 400 to under 300.

### # DUCTGRT30 / DUCTGRT36 -

#### Ductless Vent Grate Kit

A 4" tall stainless steel vent grate which is installed between the hood & the cabinet to recirculate the air back into the kitchen when ducting outside isn't possible. Includes the vent grate and hardware.

### # FILTER1 -

#### Replacement Charcoal Filter Kit

High quality charcoal filter for use when recirculating the air back into the kitchen. Filters out odor and should be replaced every 6 months.

### # FILTER1LL -

#### Long Lasting Charcoal Filter Kit

New washable charcoal filter can be recharged and washed up to 8 times. For use when recirculating the air back into the kitchen. Filters out odor and can last up to 4 years.

### # FULL30 / FULL36

#### Full Width Duct Cover

12" high, extends full width of the hood.

### # MUDAMPER6 / MUDAMPER8 -

#### Universal Make-Up Air Damper

Satisfies make-up air requirements, this kit uses an air switch to activate the make-up air damper to open and bring fresh air into the home when the hood fan is on. It then closes tightly when the hood is off. The CFM level is not reduced with this accessory.

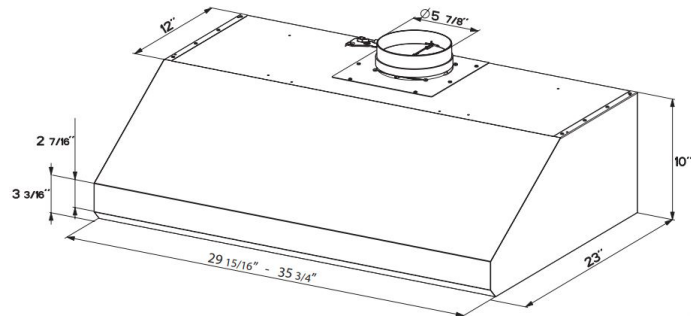
### # TELEMAES

#### Telescopic Chimney Cover

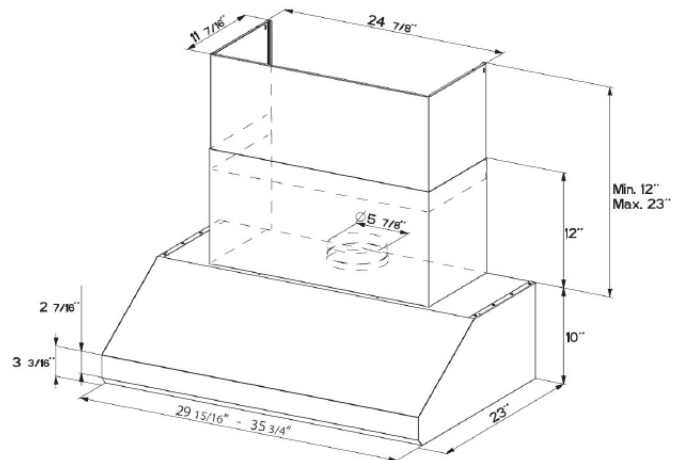
24" wide, extends to accommodate 8 - 9 foot ceilings.

## DIMENSIONS

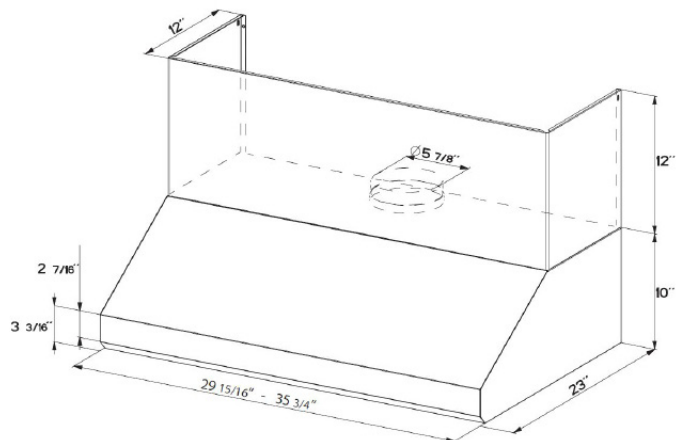
### OVERALL DIMENSIONS



### WITH TELESCOPIC CHIMNEY KIT



### WITH FULL WIDTH CHIMNEY KIT



### # WIREBOX - Fixed Wiring Box

Replace the power cord with a hard wired box to power the range hood

WARNING! Product specifications are subject to change without notification. Consult the installation instructions before you begin installing this range hood. \* Check local make up air codes for guidelines.

