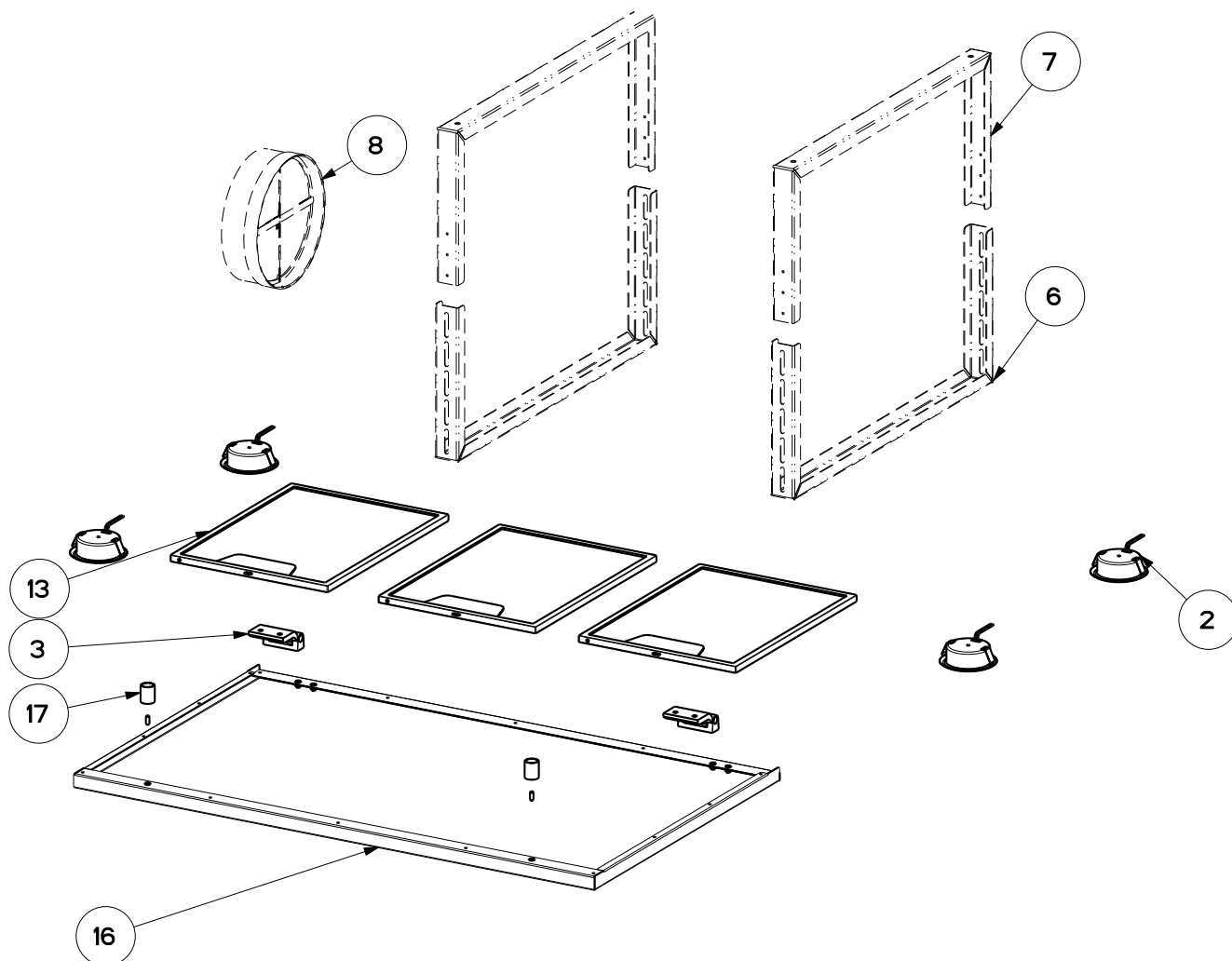


STRATUS STAINLESS 400-B Motor (Serial # 7 or 8)

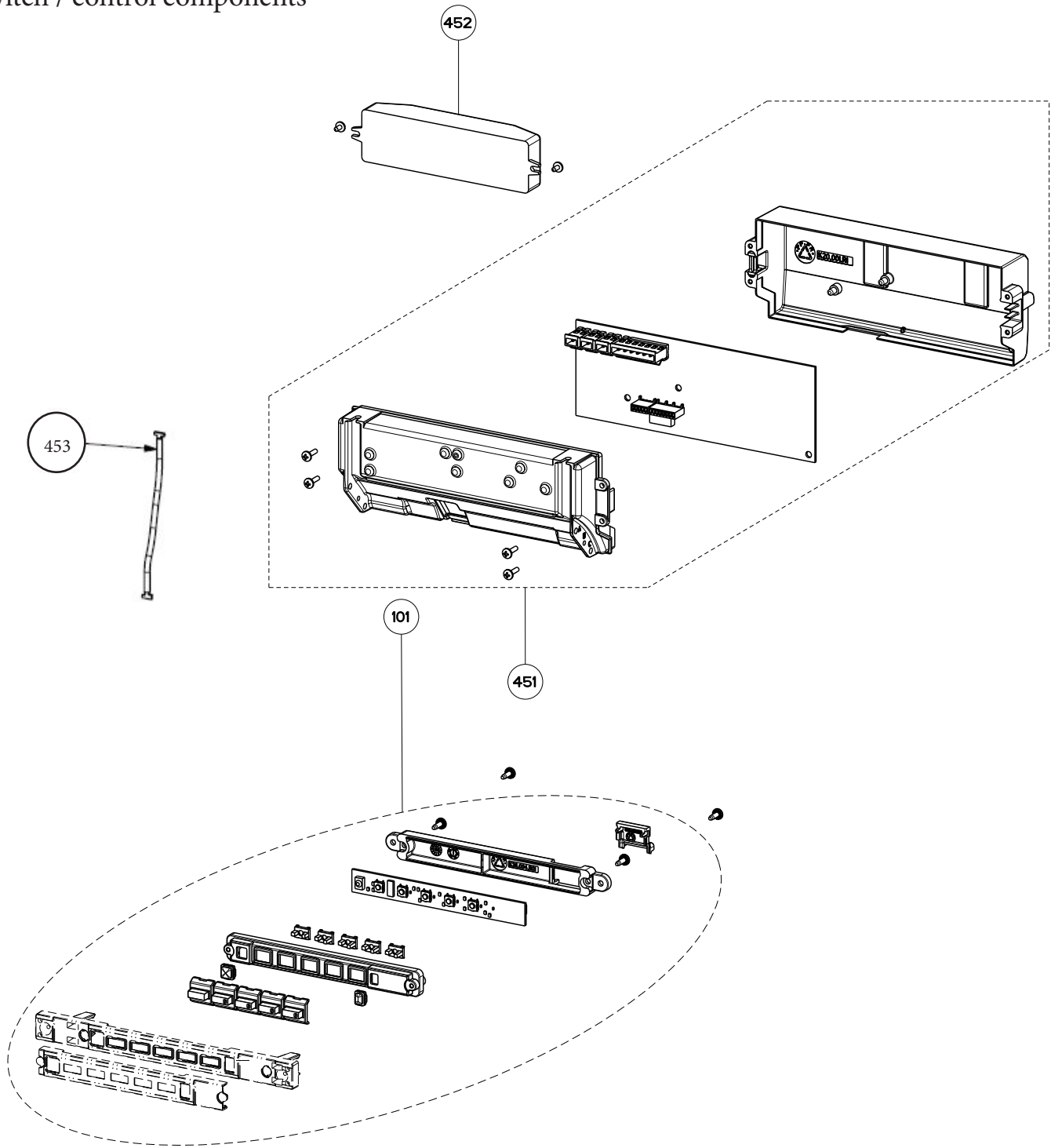
body components



	Model Number	STRTIS36SS400-B	STRTIS48SS400-B	
Key	Description	36 Stainless	48 Stainless	Qty Req.
2	LED Lights	133.0289.829	133.0289.829	4
3	Panel Hinge Kit	133.0304.582	133.0304.582	2
6	Lower Mounting Bracket	133.0433.035	133.0433.035	2
7	Upper Mounting Bracket	133.0433.034	133.0433.034	2
8	Damper	133.0055.994	133.0055.994	1
13	Grease Filter	133.0036.291	133.0036.291	3 (36"), 4 (48")
16	Perimetric SS Panel	133.0315.419	133.0315.420	1
17	Panel Magnet	133.0309.937	133.0309.937	2

STRATUS STAINLESS 400-B Motor (Serial # Starts 7 or 8)

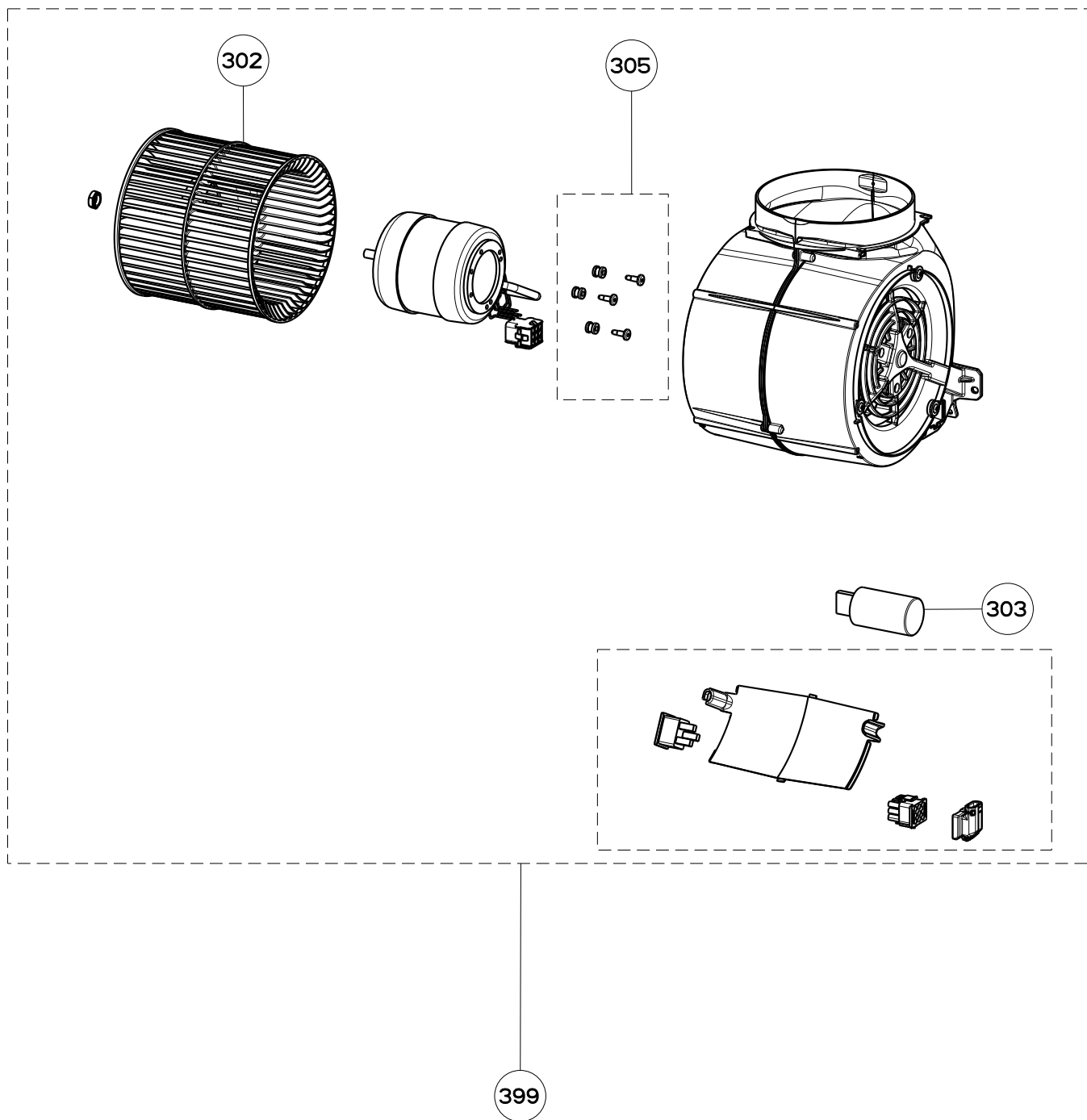
switch / control components



	Model Number	STRTIS36SS400-B	STRTIS48SS400-B	
Key	Description	36 Stainless	48 Stainless	Qty Req.
101	Control Kit	133.0386.936	133.0386.936	1
451	Control Board	133.0315.413	133.0315.413	1
452	Transformer	133.0299.377	133.0299.377	1
453	Ribbon Connector	133.0016.845	133.0016.845	1

STRATUS STAINLESS 400-B Motor (Serial # Starts 7 or 8)

motor components



	Model Number	STRTIS36SS400-B	STRTIS48SS400-B	
Key	Description	36 Stainless	48 Stainless	Qty Req.
302	Impeller	133.0151.809	133.0151.809	1
303	Capacitor 25 MF	133.0060.648	133.0060.648	1
305	Motor Rubber Kit	133.0051.604	133.0051.604	1
399	Motor	133.0174.148	133.0174.148	1