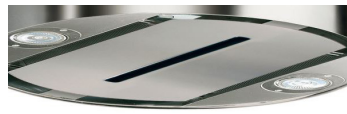


Cylindra Wall (Serial # Starts 0 - 9)

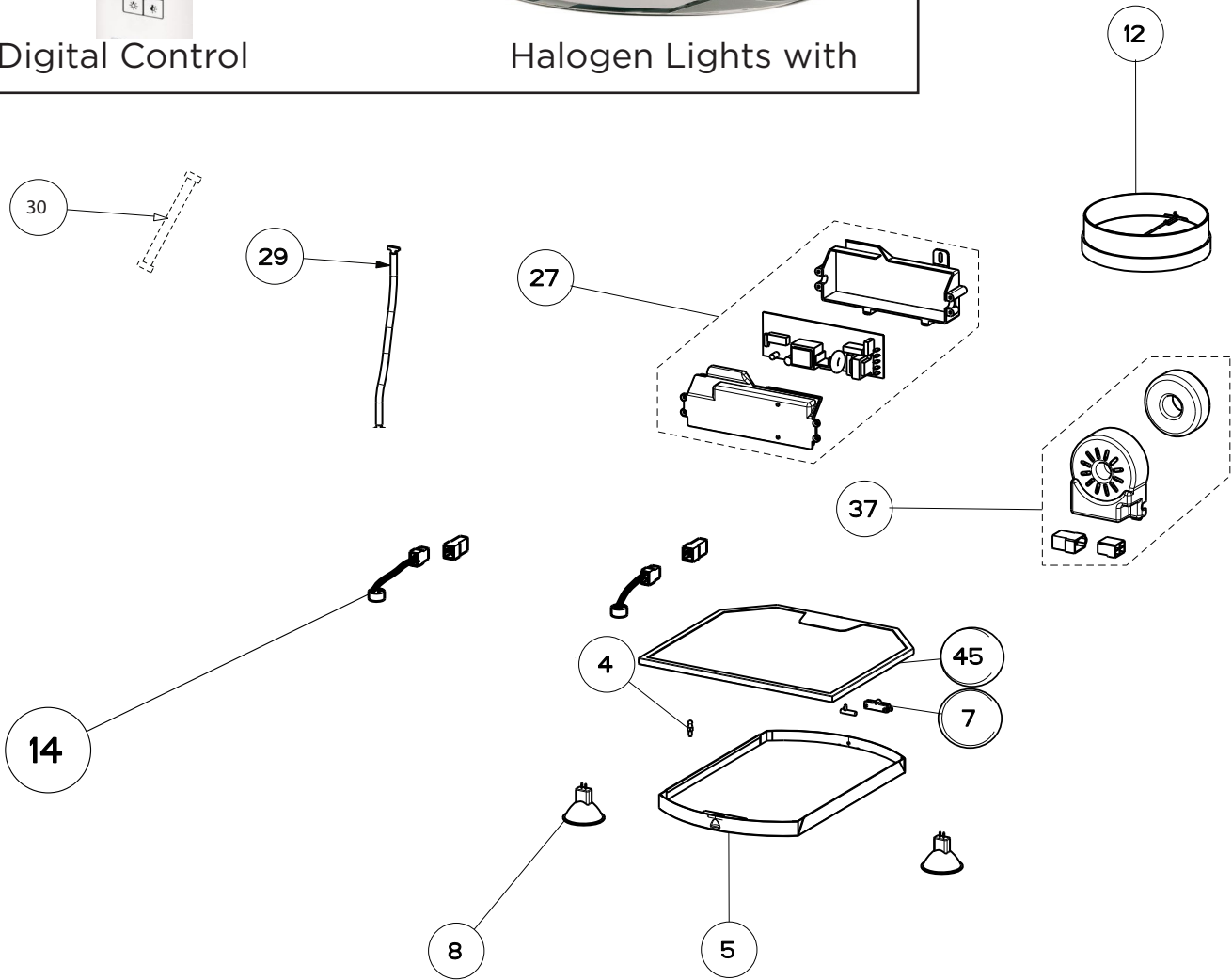
Look for the following identifiers:



Digital Control



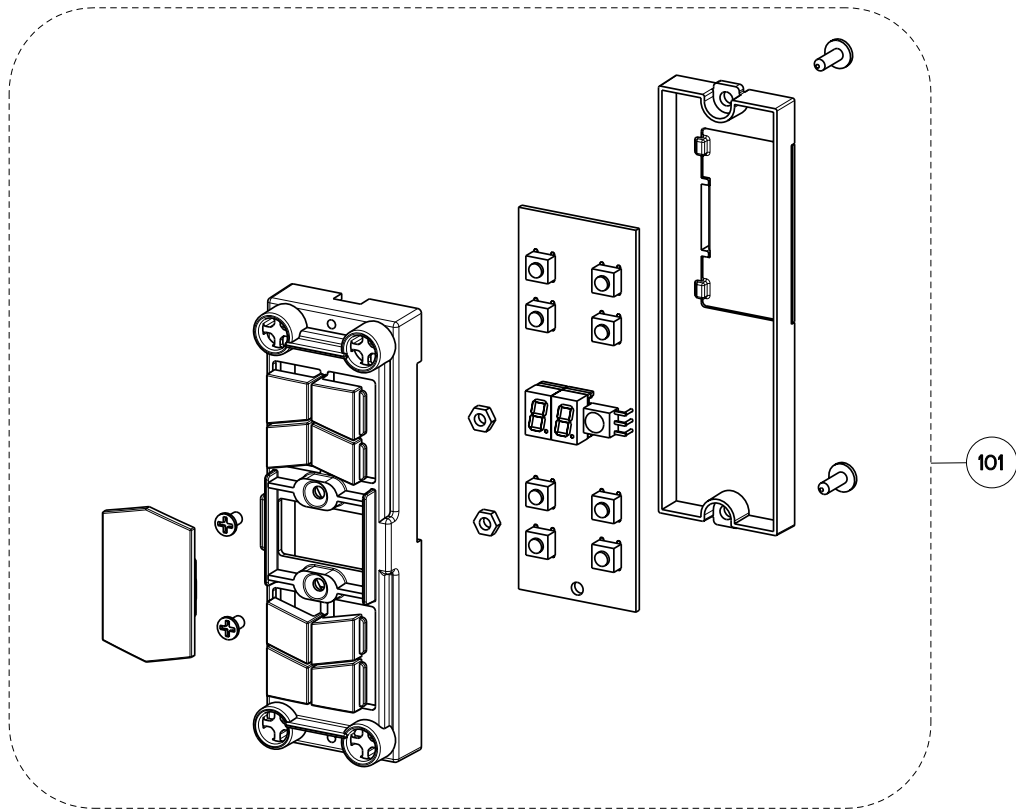
Halogen Lights with



Key	Description	Model Number	Qty Req.
4	Hinge Pin Kit (2)	CYLN15SS / 110.0166.587 133.0017.004	1
5	Perimetric Panel	133.0021.010	1
7	Perimetric Hinge	133.0017.597	1
8	Halogen Bulb	133.0017.669	2
12	Damper	133.0055.994	1
14	Lamp holder	133.0069.893	2
27	Control Board	133.0052.878	1
29	Ribbon Connector Male	133.0191.395	1
30	Ribbon Connector Female	133.0191.398	1
37	Transformer Kit	133.0052.516	1
45	Grease Filter	133.0017.598	1

Cylindra Wall (Serial # Starts 0 - 9)

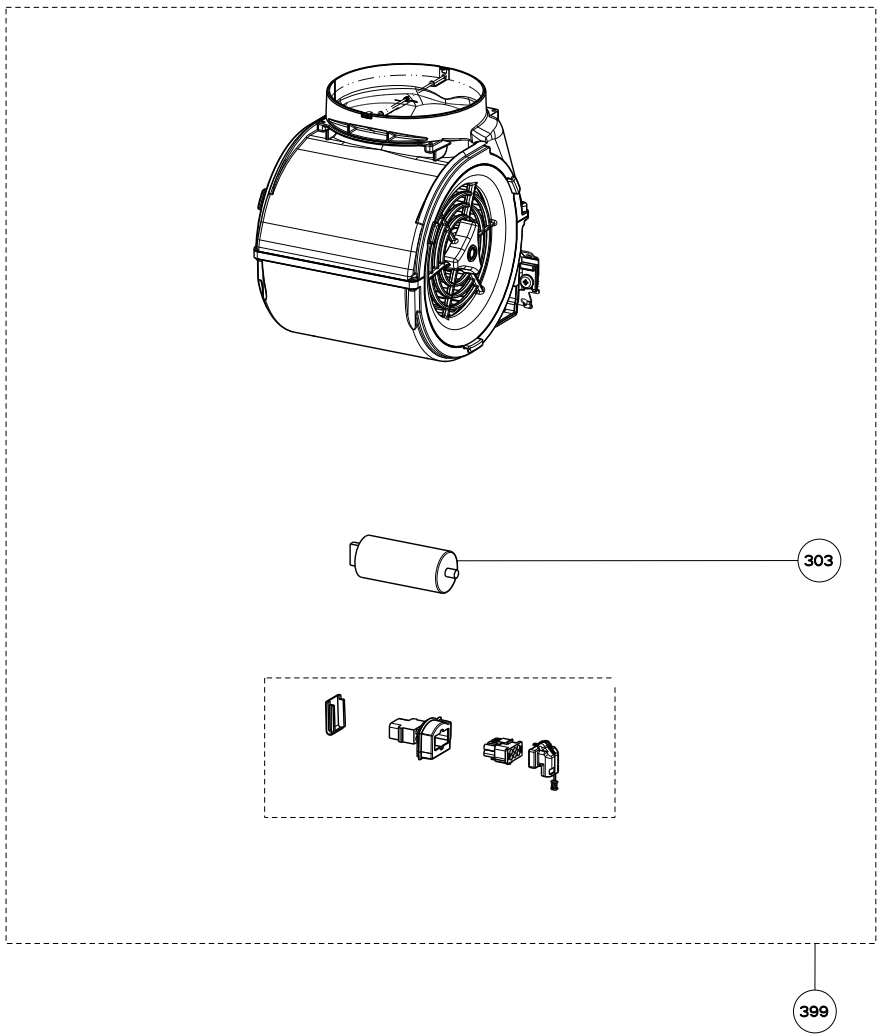
control components



Key	Description	Model Number	Qty Req.
101	Control Kit	CYLN15SS / 110.0166.589 133.0059.120	1

Cylindra Wall (Serial # Starts 0 - 9)

motor components



	Model Number	CYLN15SS / 110.0166.589	
Key	Description		Qty Req.
303	Capacitor	133.0056.183	1
399	motor group	133.0056.182	1