

# STRATUS NB

Installation Instructions  
Use and Care Information

Instructions d'installation  
Utilisez et d'entretien

Instrucciones de instalación  
Información de uso y cuidado

STRTIS48WHNB  
STRTIS36WHNB



# Contents

---

<b>Important Safety Instructions</b>	<b>4</b>
<b>Range hood Dimensions</b>	<b>7</b>
<b>Installation Height Requirements</b>	<b>7</b>
<b>Main Parts</b>	<b>8</b>
<b>Combinations Hoods And Motor Kits</b>	<b>10</b>
<b>Choose Your Ducting Method</b>	<b>11</b>
<b>Wiring Preparation</b>	<b>12</b>
<b>Ceiling Hood Install Preparation</b>	<b>13</b>
<b>Installation Information</b>	<b>14</b>
<b>Internal Blower Installation</b>	<b>15</b>
<b>External Blower Installation</b>	<b>17</b>
<b>Installation of Range Hood Body</b>	<b>19</b>
<b>Connect The Ducting</b>	<b>25</b>
<b>Wiring Box 2 Connection (Remote Blower Wiring Only)</b>	<b>27</b>
<b>House Wiring Box Connection</b>	<b>28</b>
<b>Use and Care Information</b>	<b>29</b>
<b>Wiring Diagram</b>	<b>32</b>

# IMPORTANT SAFETY INSTRUCTIONS

## READ AND SAVE THESE INSTRUCTIONS BEFORE YOU START INSTALLING THIS RANGE HOOD

**WARNING: - TO REDUCE THE RISK OF A RANGE TOP GREASE FIRE:**

- a) Never leave surface units unattended at high settings. Boilovers cause smoking and greasy spillovers that may ignite. Heat oils slowly on low or medium setting.
- b) Always turn hood ON when cooking at high heat or when flambeing food (i.e. Crepes Suzette, Cherries Jubilee, Peppercorn Beef Flambé).
- c) Clean ventilating fans frequently. Grease should not be allowed to accumulate on fan or filter.
- d) Use proper pan size. Always use cookware appropriate for the size of the surface element.

**WARNING: - TO REDUCE THE RISK OF INJURY TO PERSONS IN THE EVENT OF A RANGE TOP GREASE FIRE, OBSERVE THE FOLLOWING\*:**

- a) **SMOTHER FLAMES** with a close-fitting lid, cookie sheet, or metal tray, then turn off the burner. **BE CAREFUL TO PREVENT BURNS.** If the flames do not go out immediately **EVACUATE AND CALL THE FIRE DEPARTMENT.**
- b) **NEVER PICK UP A FLAMING PAN** - You may be burned.
- c) **DO NOT USE WATER**, including wet dishcloths or towels - a violent steam explosion will result.
- d) Use an extinguisher **ONLY** if:
  1. You know you have a Class ABC extinguisher, and you already know how to operate it.
  2. The fire is small and contained in the area where it started.
  3. The fire department is being called.
  4. You can fight the fire with your back to an exit.

\* Based on "Kitchen Firesafety Tips" published by NFPA

**WARNING - TO REDUCE THE RISK OF FIRE OR ELECTRIC SHOCK**, do not use this fan with any solid-state speed control device.

**WARNING - TO REDUCE THE RISK OF FIRE, ELECTRICAL SHOCK, OR INJURY TO PERSONS, OBSERVE THE FOLLOWING:**

1. Use this unit only in the manner intended by the manufacturer. If you have any questions, contact the manufacturer.
2. Before servicing or cleaning unit, switch power off at service panel and lock the service disconnecting means to prevent power from being switched on accidentally. When the service disconnecting means cannot be locked, securely fasten a prominent warning device, such as a tag, to the service panel.

**CAUTION: For General Ventilating Use Only. Do Not Use To Exhaust Hazardous or Explosive Materials and Vapors.**

**WARNING - TO REDUCE THE RISK OF FIRE, ELECTRICAL SHOCK, OR INJURY TO PERSONS, OBSERVE THE FOLLOWING:**

1. Installation Work And Electrical Wiring Must Be Done By Qualified Person(s) In Accordance With All Applicable Codes And Standards, Including Fire-Rated Construction.
2. Sufficient air is needed for proper combustion and exhausting of gases through the flue (chimney) of fuel burning equipment to prevent backdrafting. Follow the heating equipment manufacturer's guideline and safety standards such as those published by the National Fire Protection Association (NFPA), and the American Society for Heating, Refrigeration and Air Conditioning Engineers (ASHRAE), and the local code authorities.
3. When cutting or drilling into wall or ceiling, do not damage electrical wiring and other hidden utilities.
4. Ducted fans must always be vented to the outdoors.

ALL WALL AND FLOOR OPENINGS WHERE THE RANGE HOOD IS INSTALLED MUST BE SEALED. This Range Hood requires at least 35" of clearance between the bottom of the Range Hood and the cooking surface or countertop. This hood has been approved by UL at this distance from the cooktop. Consult the cooktop or range installation instructions given by the manufacturer before making any cutouts. **MOBILE HOME INSTALLATION** The installation of this Range Hood must conform to the Manufactured Home Construction and Safety Standards, Title 24 CFR, Part 3280 (formerly Federal Standard for Mobile Home Construction and Safety, Title 24, HUD, Part 280).

**Attention:** This hood has been engineered to minimize electromagnetic interference (EMI) originating from the consumer's home power source. However, in some home application, ambient EMI and excessive EMI from other electronic sources can compromise the reliability of the remote control. Please speak with your Faber Distributor about an optional spare part to further reduce EMI from home sources.

### VENTING REQUIREMENTS

Determine which venting method is best for your application. Ductwork can extend either through the wall or the roof.

The length of the ductwork and the number of elbows should be kept to a minimum to provide efficient performance. The size of the ductwork should be uniform. Do not install two elbows together. Use duct tape to seal all joints in the ductwork system. Use caulking to seal exterior walls and ceiling space opening around the cap.

**Flexible ductwork is not recommended. Flexible ductwork creates back pressure and air turbulence that greatly reduces performance.**

Make sure there is proper clearance within the walls and ceiling space for exhaust duct before making cutouts. Do not cut a joist or stud unless absolutely necessary. If a joist or stud must be cut, then a supporting frame must be constructed.

**WARNING - To Reduce The Risk Of Fire, Use Only Metal Ductwork.**

**CAUTION - To reduce risk of fire and to properly exhaust air, be sure to duct air outside – Do not vent exhaust air into spaces within walls or ceilings or into attics, crawl spaces, or garages.**

### Cold Weather installations

An additional back draft damper should be installed to minimize backward cold air flow and a nonmetallic thermal break should be installed to minimize conduction of outside temperatures as part of the vent system. The damper should be on the cold air side of the thermal break. The break should be as close as possible to where the vent system enters the heated portion of the house.



## WARNING

- Venting system **MUST** terminate outside the home.
- **DO NOT** terminate the ductwork in an attic or other enclosed space.
- **DO NOT** use 4" laundry-type wall caps.
- Flexible-type ductwork is not recommended.
- **DO NOT** obstruct the flow of combustion and ventilation air.
- Failure to follow venting requirements may result in a fire.

## ELECTRICAL REQUIREMENTS

A 120 volt, 60 Hz AC-only electrical supply is required on a separate 15 amp fused circuit. A time-delay fuse or circuit breaker is recommended. The fuse must be sized per local codes in accordance with the electrical rating of this unit as specified on the serial/rating plate located inside the unit near the field wiring compartment.

## ELECTRICAL INSTALLATION WITH WIRING BOX

THIS UNIT MUST BE CONNECTED WITH COPPER WIRE ONLY. Wire sizes must conform to the requirements of the National Electrical Code, ANSI/NFPA 70 - latest edition, and all local codes and ordinances. Wire size and connections must conform with the rating of the appliance. Copies of the standard listed above may be obtained from:

National Fire Protection Association  
Batterymarch Park  
Quincy, Massachusetts 02269

This appliance should be connected directly to the fused disconnect (or circuit breaker) through flexible, armored or nonmetallic sheathed copper cable. Allow some slack in the cable so the appliance can be moved if servicing is ever necessary. A UL Listed, 1/2" conduit connector must be provided at each end of the power supply cable (at the appliance and at the junction box).

When making the electrical connection, cut a 1 1/4" hole. A hole cut through wood must be sanded until smooth. A hole through metal must have a grommet.



## WARNING

- Electrical ground is required on this Range Hood.
- If cold water pipe is interrupted by plastic, nonmetallic gaskets or other materials, DO NOT use for grounding.
- DO NOT ground to a gas pipe.
- DO NOT have a fuse in the neutral or grounding circuit. A fuse in the neutral or grounding circuit could result in electrical shock.
- Check with a qualified electrician if you are in doubt as to whether the Range Hood is properly grounded.
- Failure to follow electrical requirements may result in a fire.

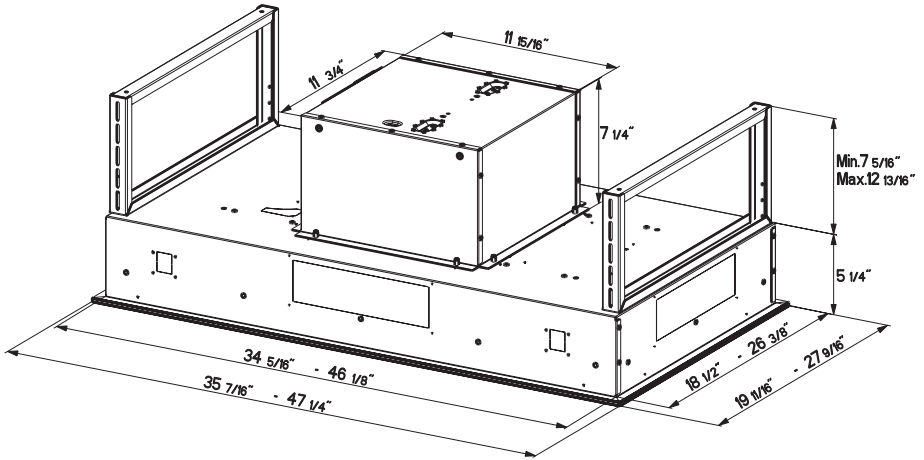
### State of California Proposition 65 Warning (US only)

#### WARNING

This product contains chemicals known to the State of California to cause cancer and birth defects or other reproductive harm.

For more information go to [www.P65Warnings.ca.gov](http://www.P65Warnings.ca.gov)

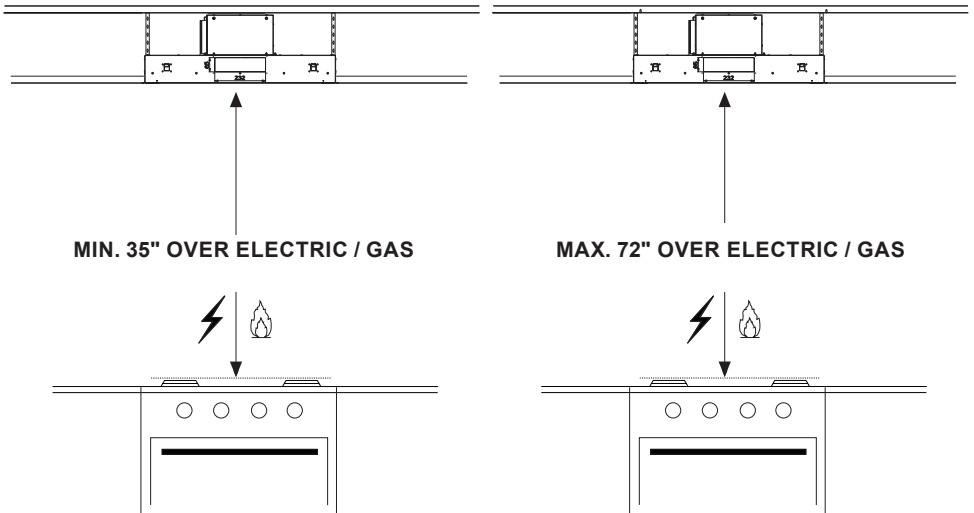
# RANGE HOOD DIMENSIONS



## INSTALLATION HEIGHT REQUIREMENTS





Recommended 60" mounting height above the cooking surface for best performance, but can be mounted up to 72" maximum away the cooking surface.

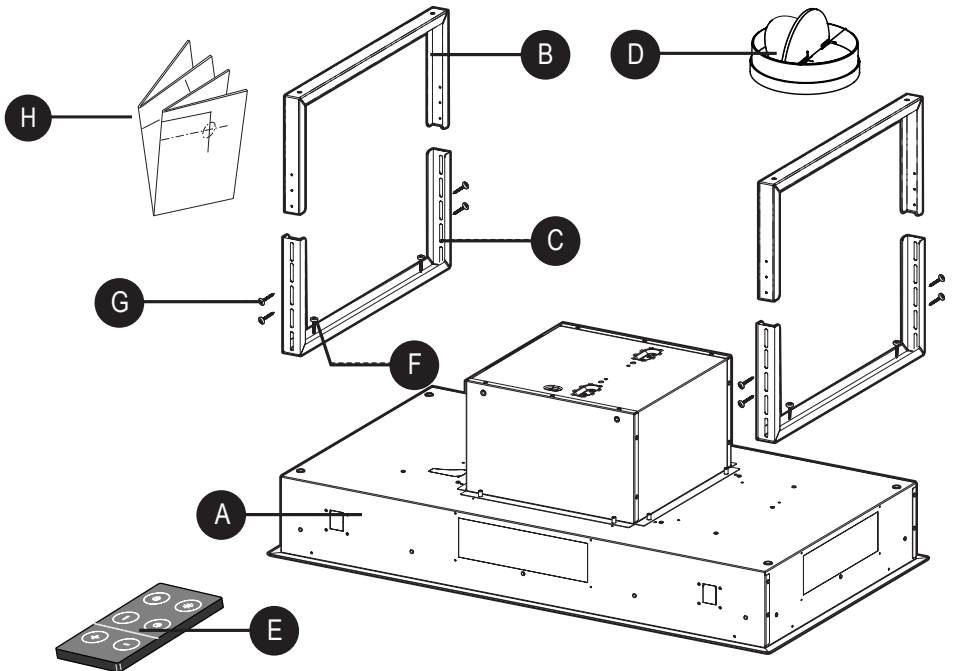
An access point to the hood from the ceiling or soffit must be made for installation and future access to the range hood.



# MAIN PARTS




REF.	PART	QTY
A	Hood Body, complete with: Controls, Lights, Filters.	1
B	Upper Mounting Bracket	2
C	Lower Mounting Bracket	2
D	Damper $\varnothing$ 6"	1
E	Remote Control	1
H	Drilling Template	1

REF	PART	QTY
F	Torx Bolts (1/4" x 9/16")  	4
G	Pozi Screws (1/8" x 3/8")  	8





## PARTS NEEDED

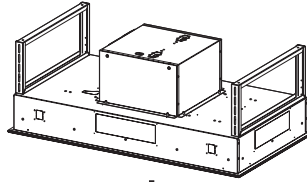
PART	
6" Round Metal Ductwork	
Wire connectors.	
Drywall plugs or other suitable wall fasteners based on your installation.	

## ACCESSORIES AVAILABLE

ACCESSORY	SKU#
Activated Charcoal Filter Accessory Kit	#FILTER1
Washable Long-Lasting Activated Charcoal Filter Kit	#FILTER1LL
Internal 600 PRO Blower IB600	#IB600 kit
Internal 400 Blower IB400	#IB400 kit
Internal 300 Blower IB300	#IB300 kit
Remote Blower 900 RB900 (10" Flange Included)	#RB900 kit
Remote Blower 1200 RB1200 (10" Flange Included)	#RB1200 kit
10" Flange for In-Line Blower	#FLANGE10

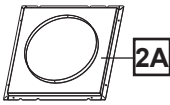
CAUTION - To Reduce The Risk Of Fire And Electric Shock, Install This Range Hood Only With Remote Blower Models RB900 kit or RB1200 kit Manufactured by Faber Or Integral Blowers Manufactured by Faber, Model(s) IB600 kit, IB400 kit, IB300 kit or generic remote blower rated max 2.7A suitable for use with solid state speed control.

# COMBINATIONS HOODS AND MOTOR KITS



**FLANGE10**  
(In-Line Blower)

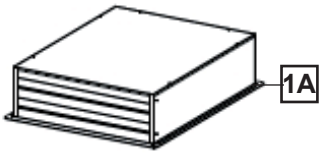
Keep 10" Flange



2A

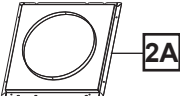
**RB900 kit and RB1200 kit**  
(remote blower)

Keep Blower



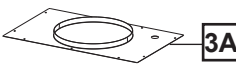
1A

Keep 10" Flange



2A

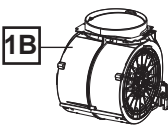
Discard 10" Flange  
with Wire Box



3A

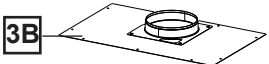
**IB600 kit, IB400 kit, IB300 kit**  
(internal blower)

Keep Blower



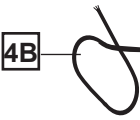
1B

Discard 6" Flange



3B

Discard Wire Cable

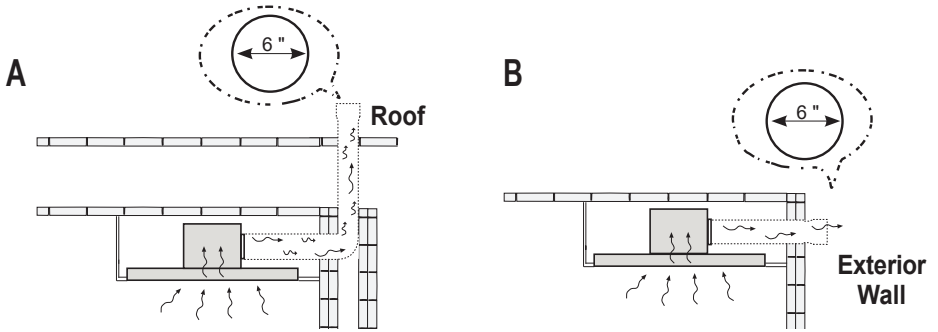


4B

# CHOOSE YOUR DUCTING METHOD

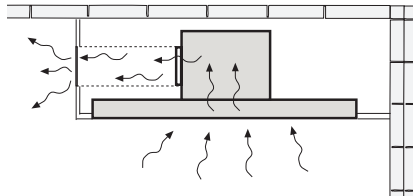
## Ducted Venting Options

**Caution:** If an elbow is required, do it as far away from the hood's exhaust opening as possible



## Non Ducted - Recirculation Options

Activated Charcoal Filter Accessory FILTER1 or FILTER1LL required (Purchased separately).  
Register cover for air duct exit is shown for design not included.



Register cover for air duct exit is suggested.

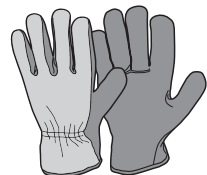
**Attention:** When used in recirculation mode, To Reduce the Risk of Fire and Shock use only conversion kit Model FILTER1 or FILTER1LL.

**Two men required for installation**

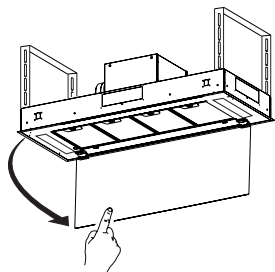


**OK!**

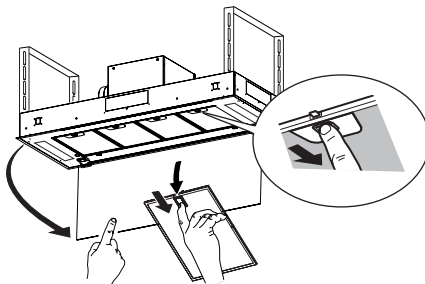
**Wear work gloves for safety**



- 1** Open the filter cover panel. The filter cover panel is held by a magnet catch, pull down with enough force to release as shown below.



- 2** Remove the grease filters one at a time, pushing them towards the back of the unit, and at the same time pulling downward and set aside.

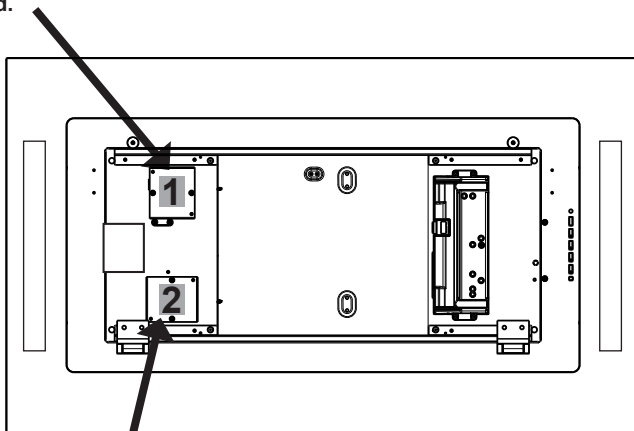


## WIRING PREPARATION

Choose wiring method based on blower type

House Power Supply Cable Wiring Box 1 & Remote Blower Wiring Box 2

**WIRING BOX 1** for connecting the Home power supply cable with the Hood.

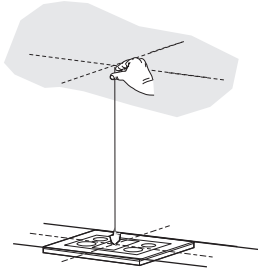


**WIRING BOX 2** for connecting the External Blower with the Hood.

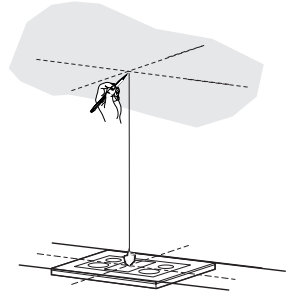
# CEILING HOOD INSTALL PREPARATION

Do not make any cutouts until you have decided whether this installation will be: ducted or non-ducted and wiring has been prepared based on based on blower type.

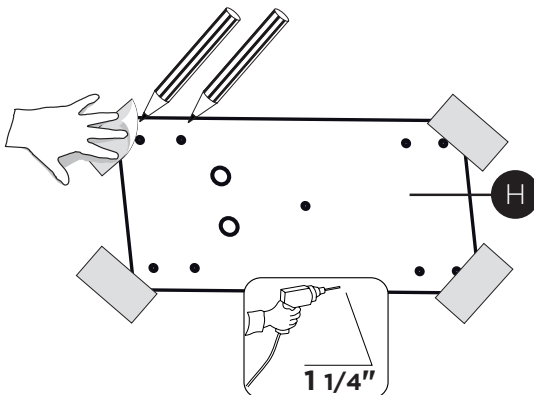
- 3** Use a plumb line to mark the center of the range on the ceiling.



- 4** Mark the centers.



- 5**
- For all installations, an access point to the hood must be created for installation and future maintenance of the hood.
  - Put a thick, protective covering over cooktop to protect from damage or dirt.
  - Use the mounting template on the ceiling to determine placement of mounting screws on the ceiling.
  - Mark the center of the holes in the ceiling template.
  - Determine and make necessary cuts for the ductwork.
  - Install ductwork before mounting the hood.
  - Determine the proper location for the Power Supply Cable as indicated on the Template.
  - Use a 1 1/4" Drill Bit to make this hole.
  - Run the Power Supply Cable. Use caulking to seal around the hole.
  - A knockout for threading through the Power Supply from the ceiling is located on the top of the Range Hood.
  - Do not connect the Power Cable to the Wiring Box or power up the hood at this time.
  - Run enough power cable from the ceiling to reach the wiring box on the hood.

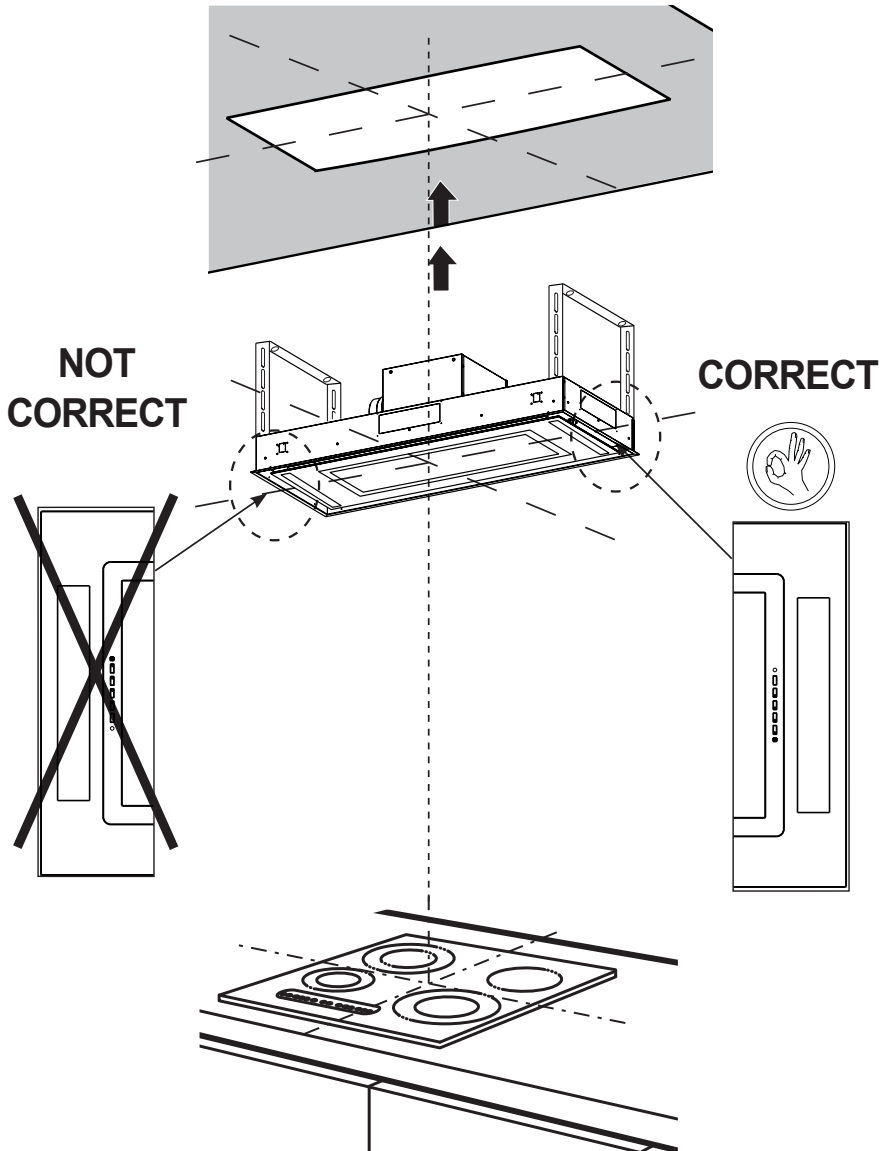


## **!** WARNING

DUE TO THE SIZE AND WEIGHT OF THIS Range Hood, THE SUPPORT MUST BE FIRMLY ATTACHED TO THE CEILING. For plaster or sheet rock ceiling, the support must be attached to the joists. If this is not possible, a support structure must be built behind the plaster or sheet rock. The manufacturer assumes no responsibility for injury or damage caused by improper installations.

# INSTALLATION INFORMATION

In preparation for installation of the hood orient the hood with the control panel on the right as shown below

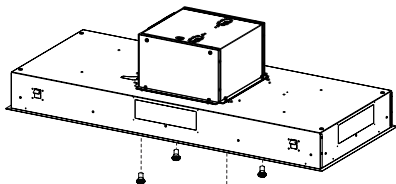


# INTERNAL BLOWER INSTALLATION

If you use the internal blower kit, IB600 kit or IB400 kit or IB300 kit, please throw away the the flange (3B) and the cable (4B), given with the internal blower kit, shown on page 10 and use only 10" Flange.

## Separate Box and Range Hood

- 1** Unfasten the 4 screws to dismount the Box for the blower.

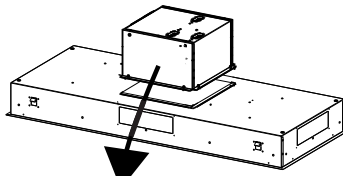


Torx Screwdriver



## Attach the Internal Blower

- 2** Position Internal Blower as shown into the removed Blower Box. Secure the Internal Blower in the Blower Box with the two screws provided with the Internal Blower.



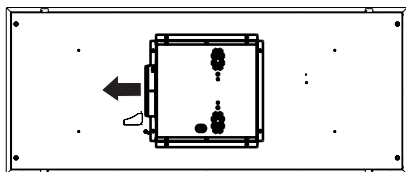
Phillips Screwdriver



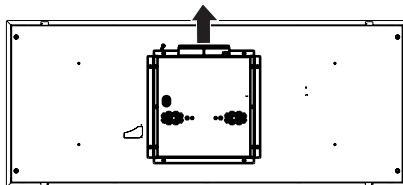
## Choose the Box position (Left-Right-Back-Front)

- 3** The blower can be positioned in four different venting directions as shown. Rotate the Box with Blower in the correct position.

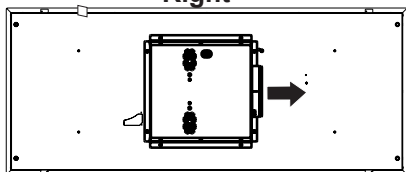
**Left**



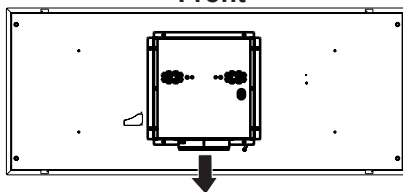
**Back**



**Right**



**Front**



## Connect the Electric Cable

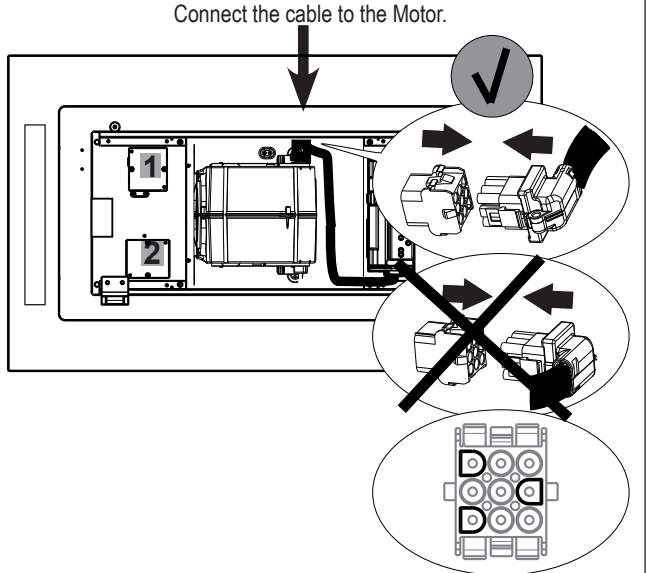
# 4

After the blower is mounted in the hood, plug the harness with molex originating from the control box, into the blower.

**IMPORTANT:** Do not use the harness that came with your internal blower kit (IB600 kit, IB400 kit, IB300 kit).

**IMPORTANT:** Do not connect the Control Cable to Wiring Box 1 or Wiring Box 2 for internal blower installation.

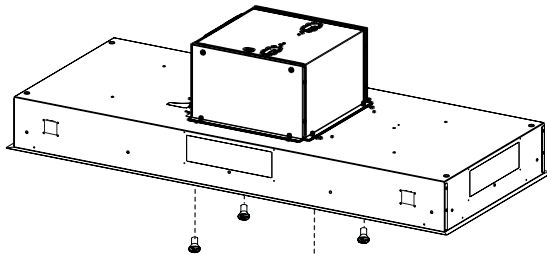
**IMPORTANT:** Do NOT use wiring box 2 for an internal blower installation.



## Attach Motor Box to the Range Hood

# 5

Attach the Box with the Blower with the same 4 screws removed previously.



Torx Screwdriver



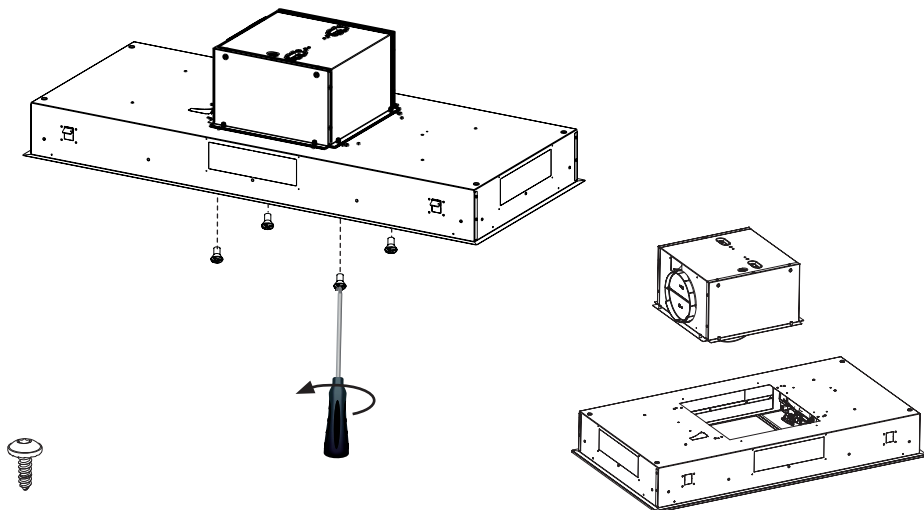


# EXTERNAL BLOWER INSTALLATION

If you use the remote blower kit, RB900 kit or RB1200 kit or In-Line Blower Option, please throw away the flange (3A) given with the remote blower kit, shown on page 10.

## Separate the Box from the Range Hood

- 1 Unfasten the 4 screws to dismount the Blower Box from the hood body and to save screws. The Blower Box is not used for Remote Blower installation and can be discarded or saved for future use if converted to Internal Blower.

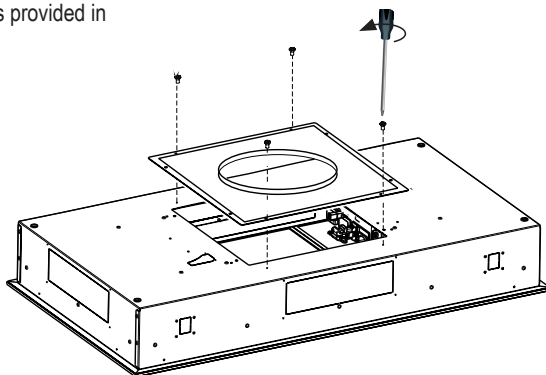


Torx Screwdriver



## Attach optional FLANGE 10" (2A)

- 2 Attach 10" FLANGE (2A) with 4 screws provided in the hardware bag as shown.

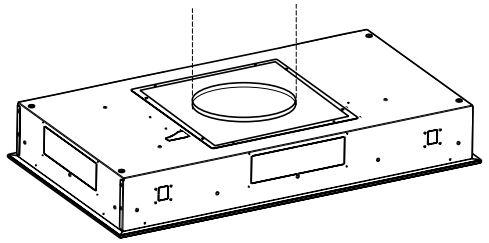


Torx Screwdriver



### Connect to Air Outlet

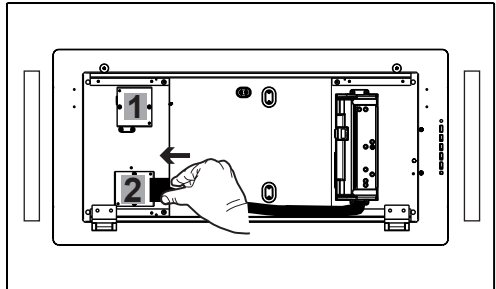
- 3** Connect the Hood body air outlet with the Remote Blower air outlet.



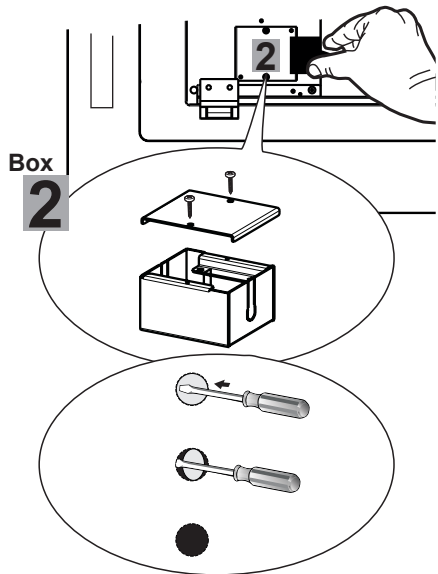
### Connection to Box 2 (Remote Blower Wiring Box)

**4**

1. From inside the hood connect the cable to the wiring box 2 as shown in the image to the right.



2. From inside the hood, remove the cover from the wiring box 2 by removing two screws.



3. Break the correct hole in the Wiring Box 2 for passing the cables from the remote blower.

# INSTALLATION OF RANGE HOOD BODY

## Choose the correct method of bracket installation

### Option A

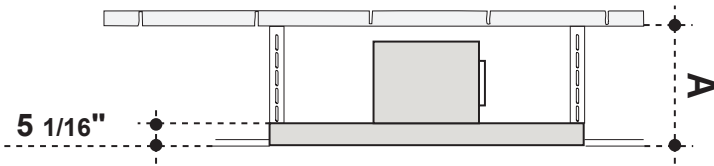
Steps 7a-7b-7c is an option for mounting and hood when access is available from above the ceiling/soffit (See page 20).

### Option B

Steps 8a-8b-8c is an option for mounting the hood to the brackets when no access is available from above and the soffit is already completed (See page 22).

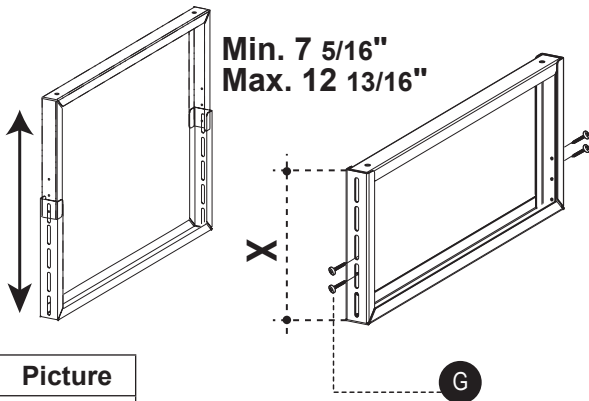
## Assemble the Range Hood Mounting Brackets

6



$$X = A - 5 \frac{1}{16}''$$

As shown, you have to accommodate for the height of the hood body into your space overhead. After determining bracket height use the 8 Screws from Component Page 8 to assemble brackets.



Ref.	Size	Picture
G	1/8" x 3/8"	

## OPTION A - HOOD INSTALLATION BEFORE THE SOFFIT IS COMPLETED

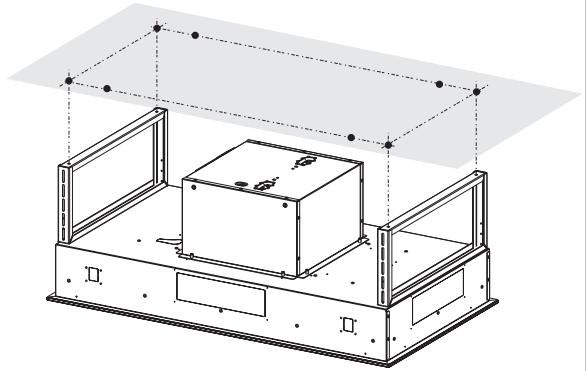
Use this installation if you have access from above to install the range hood

### Ceiling Mark

#### 7.a

See below for a detailed image on drilling the holes onto the fastening surface (inside ceiling or soffit) that will then be used to mount the bracket fixtures.

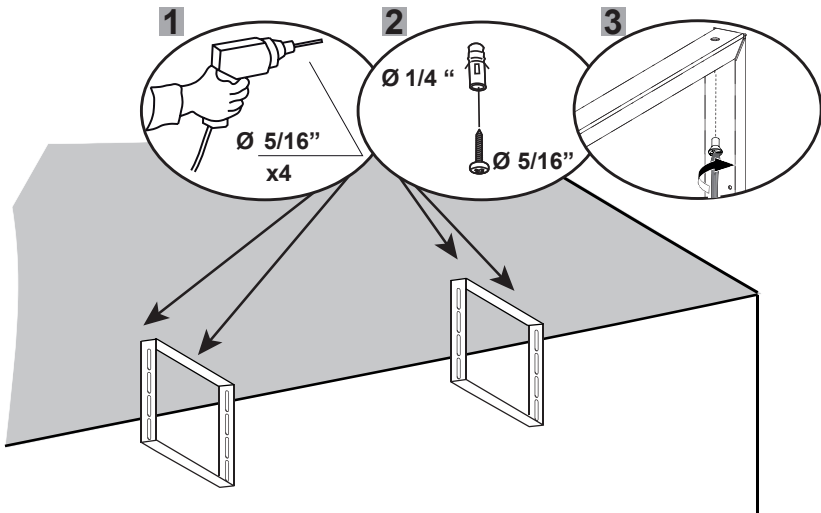
The fasteners used must be compatible with the 5/16" hole and are purchased separately.



### Bracket Installation on Ceiling

#### 7.b

Use external holes created with drilling template for location of the ceiling fasteners (purchased separately). Use wall plugs or other securing hardware in conjunction with the ceiling fasteners (purchased separately).



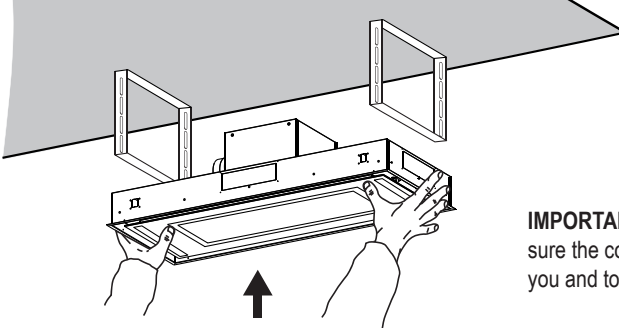
- (1) Use a 5/16" Drill Bit to make these external hole.
- (2) Use wall plugs if appropriate or other securing hardware in conjunction with the ceiling fasteners (purchased separately).
- (3) Use appropriate screws or other securing hardware in conjunction with the ceiling fasteners (purchased separately) to attach the brackets.

## Attach the Range Hood on the Bracket

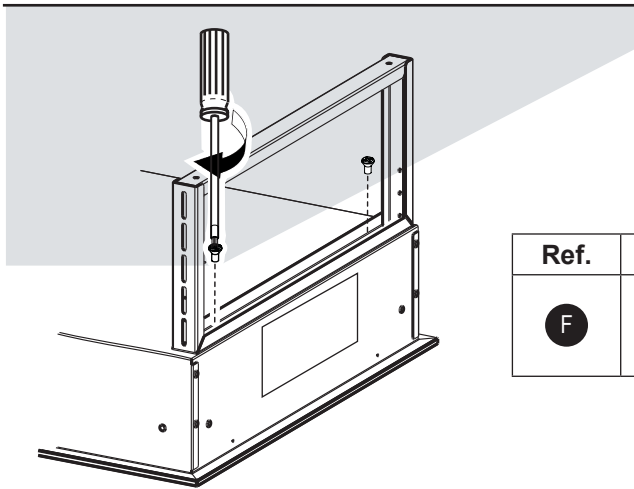
### 7.c


Attach the Hood body to the hood ceiling brackets by use the 4 Screws **F** from the component list on Page 6 to attach the hood body to the hood ceiling brackets.

Access is needed in the space above. Leave an access point in the soffit for future access to the range hood.



**IMPORTANT:** Check to make sure the controls are facing you and to the right.



Ref.	Size	Picture
<b>F</b>	1/4" x 9/16"	

## OPTION B - HOOD INSTALLATION AFTER THE SOFFIT IS COMPLETED

Use this installation if don't have access from above to install the range hood

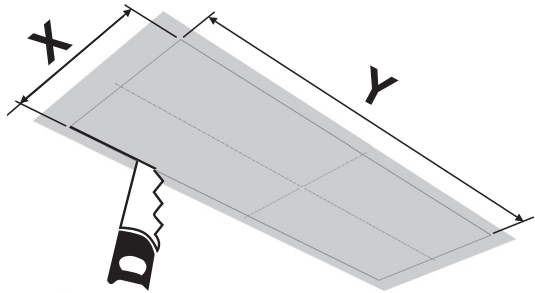
### Important:

- Steps **8a-8b-8c-8d** is the option for mounting the hood to the brackets when access is NOT available from above the ceiling/soffit.
- The brackets are first mounted into the ceiling soffit and the hood is mounted to the brackets from inside the hood.

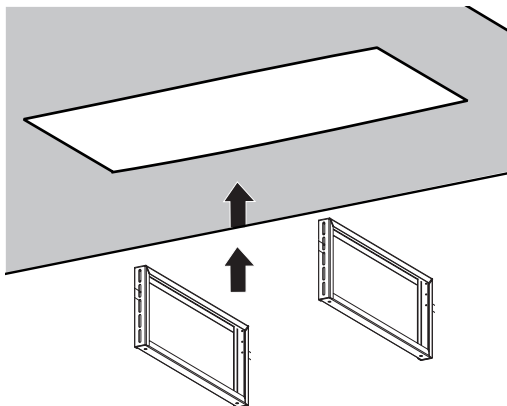
### Cutout for Ceiling / Soffit

## 8.a

See image with dimensions for ceiling cutout.



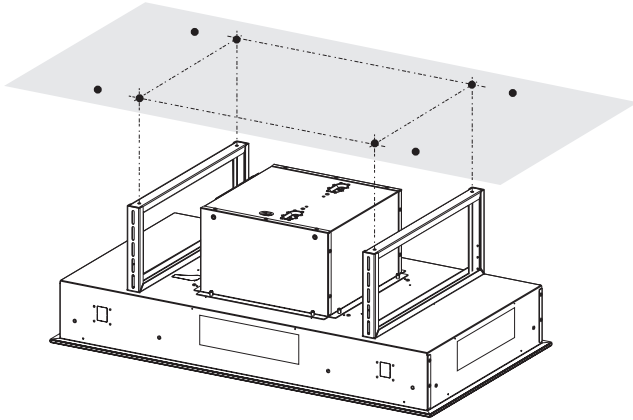
Hood	X	Y
36"	18 11/16"	34 9/16"
48"	26 9/16"	46 3/8"



## Ceiling Bracket Installation for Soffit

### 8.b

See below for a detailed image on drilling the holes onto the fastening surface (inside ceiling or soffit) that will then be used to mount the bracket fixtures. The fasteners used must be compatible with the 5/16" hole and are purchased separately.

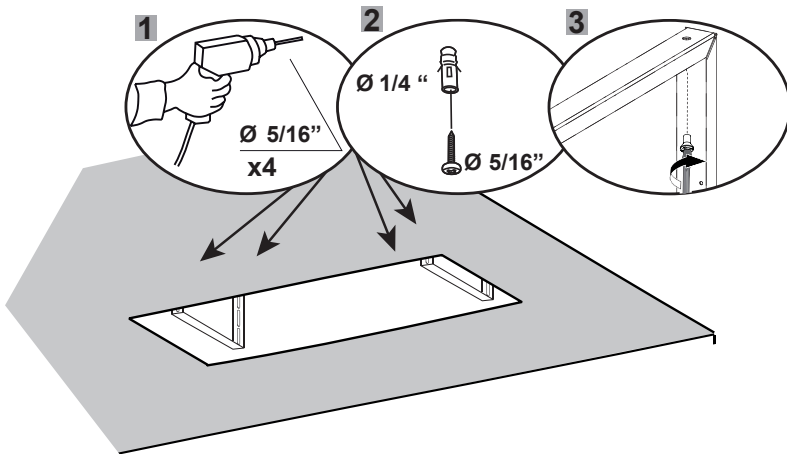


## Bracket Installation on Ceiling

### 8.c

Use more internal holes created with drilling template for location of the ceiling fasteners (purchased separately).

Use wall plugs or other securing hardware in conjunction with the ceiling fasteners (purchased separately).

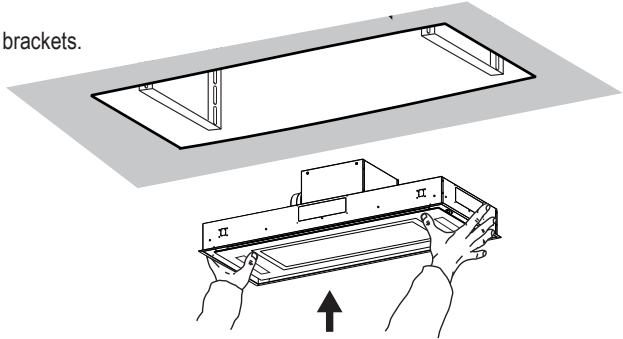


- (1) Use a 5/16" Drill Bit to make these internal hole.
- (2) Use wall plugs if appropriate or other securing hardware in conjunction with the ceiling fasteners (purchased separately).
- (3) Use appropriate screws or other securing hardware in conjunction with the ceiling fasteners (purchased separately) for attach the Brackets.

## Attach the Range Hood on the Bracket

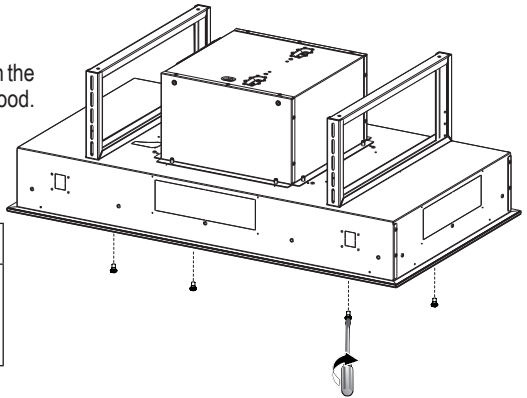
### 8.d


Attach the Range Hood on the brackets.

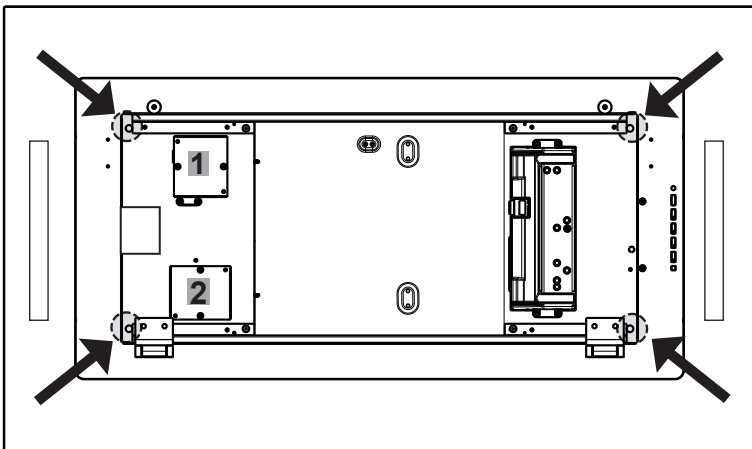


## Use the Screws to attach the hood to the ceiling brackets

Use the 4 Screws from the Component list to attach the hood ceiling brackets from the bottom inside the hood.



Ref.	Size	Picture
F	1/4" x 9/16"	





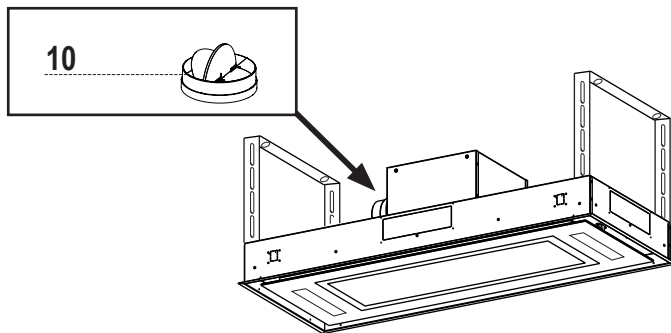
# CONNECT THE DUCTING

## Ducted Venting Installation

### Install the Damper

9

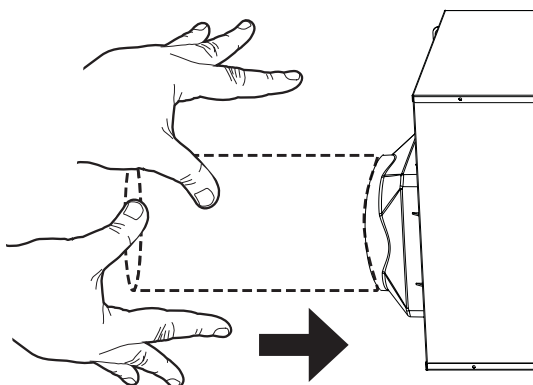
Install Damper that is included with the Hood before connecting to the ductwork. Seal with foil duct tape.



### Connect to Air Outlet

10

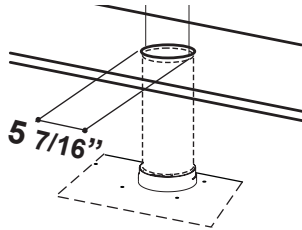
Connect the hood to the pipe for air outlet. Use foil duct tape to seal the joint.



## Non Ducted - Recirculation Options

### 11a

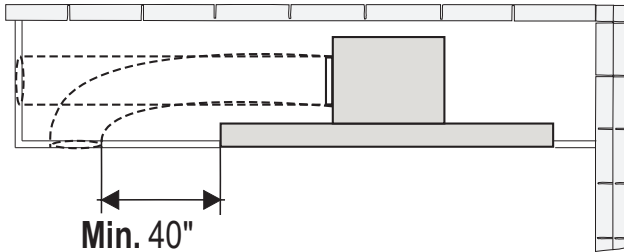
Recirculation Hole



### 11b

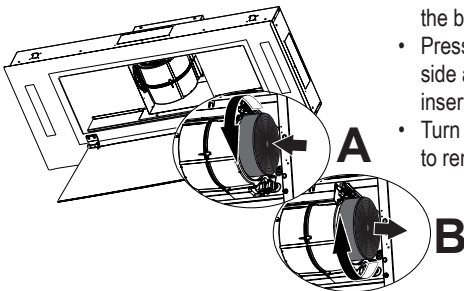
Information for Recirculation Hole

Keep the return air duct at least 40" away from the side of the Range Hood.



### 12

Install Activated Charcoal Filter Kit



- Attach each charcoal filter to the black grid on each side of the blower.
- Press the charcoal filter tightly to the black grid on the blower side and rotate the filter clockwise (towards the front of the insert hood) until it locks into place (A).
- Turn counterclockwise (towards the back of the insert hood) to remove (B).

Required Activated Charcoal Filter  
Accessory - sku # - FILTER1 or  
FILTER1LL (purchased separately)

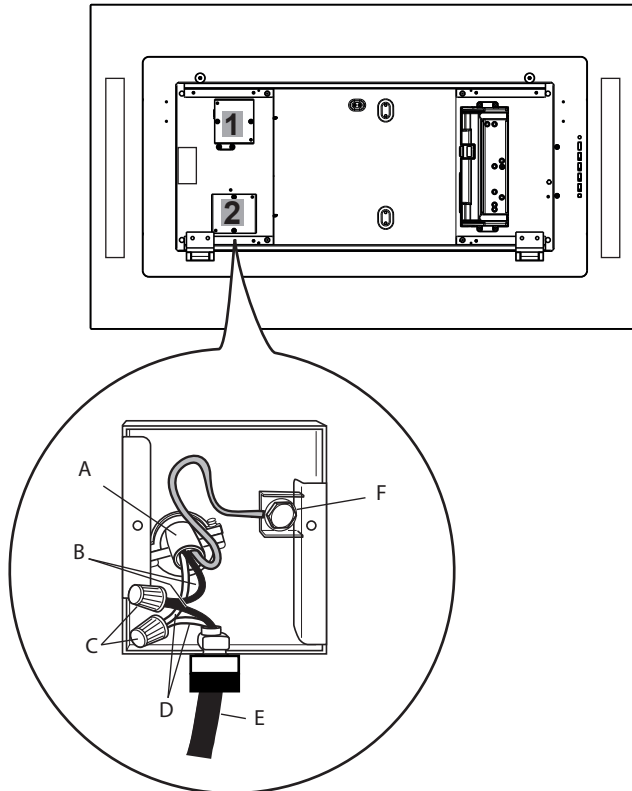


# WIRING BOX 2 CONNECTION (Remote Blower Wiring Box)

## 13

**IMPORTANT: ONLY FOR EXTERNAL BLOWER INSTALLATION**

- Connect the cable from the Remote Blower with the two wires inside the Wiring Box 2 by twist-on type wire connector and matching the color:
  - Black with Black
  - White with White
- Connect the green ground wire from remote blower to green ground screw.
- Replace the field wiring compartment cover.
- Check the Wiring Diagram.

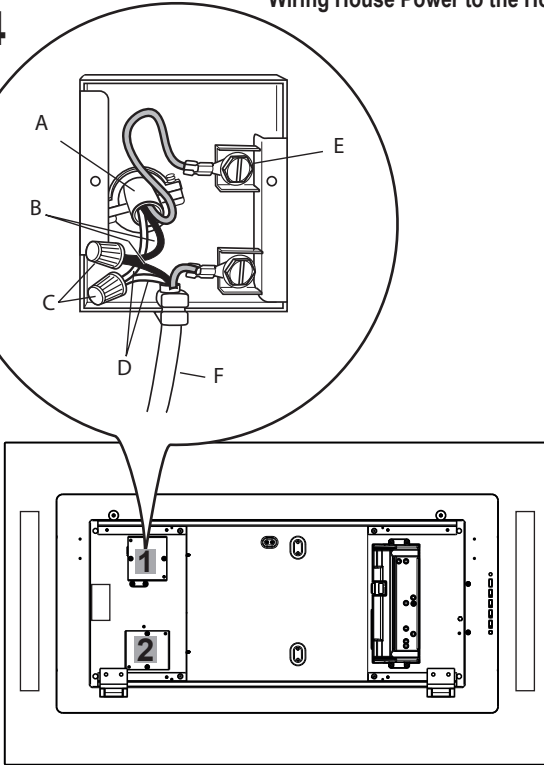


- A. Remote Blower power supply cable.
- B. Black wires.
- C. UL listed wire connectors.
- D. White wires.
- E. Internal Hood Cable.
- F. Green ground screw.

# HOUSE WIRING BOX CONNECTION

## 14

### Wiring House Power to the Hood



### Installation Of House Power Wiring Box Connection 1

1. Remove the cover from the field wiring compartment. DO NOT turn on the power until installation is complete!
2. Connect the Power Supply Cable to the Range Hood.
3. Connect the Green (Green and Yellow) ground wire under the Green grounding screw.
4. Attach the White lead of the power supply to the White lead of the Range Hood with a twist-on type wire connector.
5. Attach the Black lead of the power supply to the Black lead of the Range Hood with a twist-on type wire connector.
6. Replace the Wiring Box 1 cover and the grease filters.
7. Check the Wiring Diagram.

A. Home power supply cable.

B. Black wires.

C. UL listed wire connectors.

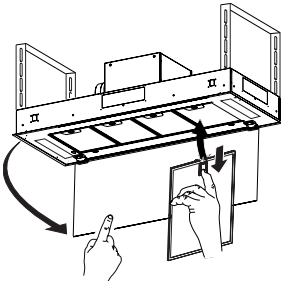
D. White wires.

E. Green (or bare) ground wire from home power supply to be connected to green ground screw.

F. Range hood power supply cable.

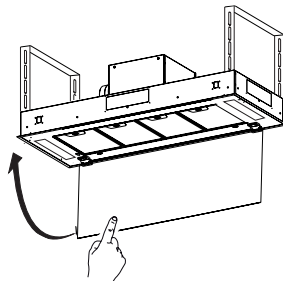
## 15

Replace the grease filters.



## 16

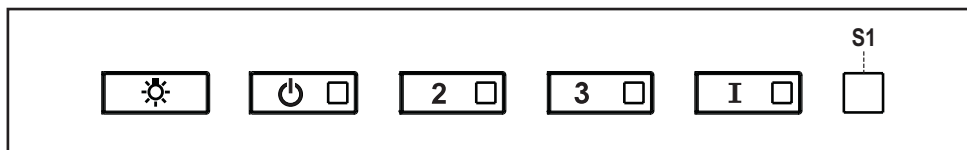
Close the filter cover panel.



# USE AND CARE INFORMATION

## For Best Results

Start the Range Hood several minutes before cooking to develop proper airflow. Allow the Range Hood to operate for several minutes after cooking is complete to clear all smoke and odors from the kitchen.

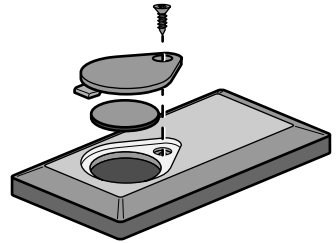


Button	Function	Led
	Turns the lights on/off at maximum strength.	-
	Press and hold the button for approximately 2 seconds to turn the Dimmer Lights On/Off.	-
	Turns the motor on/off at speed one.	ON
	Delay function: Press and hold the button for approx. 3 seconds to Activate/Deactivate the Delay function (automatic switching off of the Motor, and the Lighting with a 30 min. delay). Cannot be enabled when Intensive is on.	
	Turns the Motor on at speed two.	ON
	Activate Charcoal Filter Alarm Press and hold the button for approximately 5 seconds, with all the hood turned off (Motor and Lights), to turn the alarm on. The relevant LED flashes twice to confirm. To turn the alarm off, press the button again and hold for at least 5 seconds. The relevant LED flashes once.	
	Turns the Motor on at speed three.	ON
	Grease Filter Alarm To reset the alarm: press and hold the button for approximately 3 seconds, with the hood turned off (Motor and Lights), and until the LED S1 flashes three times.	
	Turns the Motor on at INTENSIVE Speed. This speed is timed to run for 6 minutes. At the end of this time, the system returns automatically to the speed that was set before. If it is activated with the motor turned off, the hood will switch to OFF at the end of the time.	ON
S1	Signals the Metal Grease Filter saturation alarm, indicating that it is necessary to wash the filters. The alarm is triggered after the Hood has been in operation for 100 working hours.	ON
	When this is activated, it signals: The Activated Charcoal Filter saturation alarm, indicating that the filter must be changed; The Metal Grease Filters must also be washed. The Activated Charcoal Filter saturation alarm turns on after the Hood has been working for 200 hours.	Flashing.

## Remote control information

### Installing the Battery

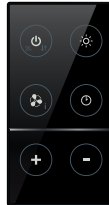
- The remote control is powered by a CR2032 type 3 V battery (not included).
- Remove the screw and install the battery.
- Check that the battery is installed with the "+" side up.














### Caution:

- Do not place the remote control near heat sources.
- Do not discard the batteries with normal waste, they must be put into the specific containers.
- Make sure the battery compartment is screwed down flat and is fully tightened..

## Remote Control control panel



		Motor On/Off.
		-
		-
		Lights On / Off.
		Press for 2 seconds to Activate Dimmer.
		Activates/Deactivates Intensive operation
		Brief pressure: Activates/Deactivates the Delay function: automatic switch-off with a 30' delay. The display shows the operating speed and the dot at the bottom right flashes once a second.
		Increases the working speed each time it is pressed
		Decreases the working speed each time it is pressed

### Cleaning metal grease filters

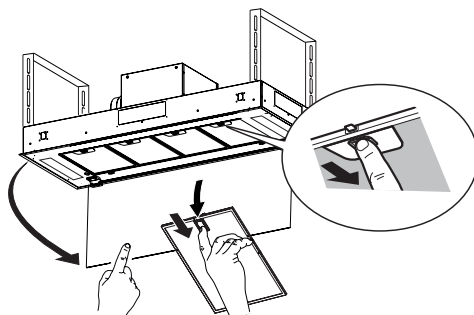
These can be washed in the dishwasher, and need to be cleaned whenever the **S1** LED comes on or at least once every 2 months of use, or more frequently if use is particularly intensive.

#### Resetting the Grease Filter Alarm

- Turn the Lights and the Hood off.
- Press **3** and hold for at least 3 seconds, until LED flashes three times in confirmation.

#### Cleaning the Filters

- Open the Panel.
- Remove the Filters one at a time, pushing them towards the back of the unit and at the same time pulling downward.
- Wash the Filters without bending them, and leave them to dry completely before replacing. (If the surface of the filter changes color as time goes by, this will have absolutely no effect on the efficiency of the filter itself.)
- Replace the grease filters, taking care to ensure that the handle faces forward.
- Completely dry the filters before reinstalling. Otherwise, left over grease may heat and drip.
- Close the Panel.



### Replacing Activated Charcoal Filter

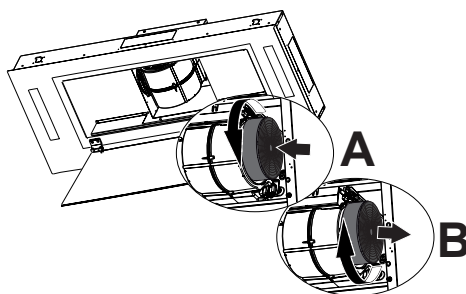
They cannot be washed or regenerated, and must be changed when LED **S1** starts to flash, or at least once every 4 months. The Alarm signal, if it has been activated, only appears when the Hood Blower is turned on.

#### Resetting the alarm signal

- Turn the Lights and the Hood Blower off.
- Press **3** and hold for at least 3 seconds, until LED flashes three times in confirmation.

#### Cleaning the Filters

- Open the Panel.
- Remove the Metal Grease Filter.
- Remove the saturated Activated Charcoal Filters, as indicated **(A)**.
- Fit the new Filters, as indicated **(B)**.
- Replace the Metal grease filters.
- Close the Panel.



## **Cleaning Exterior surfaces**

### **Cleaning Exterior surfaces:**

Please note, abrasives and scouring agents can scratch range hood finishes and should not be used to clean finished surfaces.

### **Stainless Steel finish cleaning instructions:**

Clean exterior surfaces with a commercially available stainless steel cleaner.

### **Painted Gray finish cleaning instructions:**

Clean exterior surfaces with hot soapy water.

## **Lighting**

- LED lights must be replaced by Faber factory authorized service.





## FABER CONSUMER WARRANTY & SERVICE

All Faber products are warranted against any defect in materials or workmanship for the original purchaser for a period of 1 year from the date of original purchase (requires proof of purchase). This warranty covers labor and replacement parts. Faber, at its option, may repair or replace the product or components necessary to restore the product to good working condition. To obtain warranty service, contact the dealer from whom you purchased the range hood, or the local Faber distributor. If you cannot identify a local Faber distributor, contact us at (508) 358-5353 for the name of a distributor in your area.

**The following is not covered by Faber's warranty:**

1. Service calls to correct the installation of your range hood, to instruct you how to use your range hood, to replace or repair house fuses or to correct house wiring or plumbing.
2. Service calls to repair or replace range hood light bulbs, fuses or filters. Those consumable parts are excluded from warranty coverage.
3. Repairs when your range hood is used for other than normal, single-family household use.
4. Damage resulting from accident, alteration, misuse, abuse, fire, flood, acts of God, improper installation, installation not in accordance with electrical or plumbing codes or Faber documentation, or use of products not approved by Faber.
5. Replacement parts or repair labor costs for units operated outside the United States or Canada, including any non-UL or C-UL approved Faber range hoods.
6. Repairs to the hood resulting from unauthorized modifications made to the range hood.
7. Expenses for travel and transportation for product service in remote locations and pickup and delivery charges. Faber range hoods should be serviced in the home.

THIS WARRANTY DOES NOT ALLOW RECOVERY OF INCIDENTAL OR CONSEQUENTIAL DAMAGES, INCLUDING, WITHOUT LIMITATION, DIRECT, INDIRECT, INCIDENTAL, SPECIAL OR CONSEQUENTIAL DAMAGES, PERSONAL INJURY/WRONGFUL DEATH OR LOST PROFITS FABER WARRANTY IS LIMITED TO THE ABOVE CONDITIONS AND TO THE WARRANTY PERIOD SPECIFIED HEREIN AND IS EXCLUSIVE. EXCEPT AS EXPRESSLY SPECIFIED IN THIS AGREEMENT, FABER DISCLAIMS ALL EXPRESS OR IMPLIED CONDITIONS, REPRESENTATIONS, AND WARRANTIES INCLUDING, WITHOUT LIMITATION, ANY IMPLIED WARRANTIES OF MERCHANTABILITY OR FITNESS FOR A PARTICULAR PURPOSE.

This warranty gives you specific legal rights that may vary from state to state.

Model#: \_\_\_\_\_

Serial #: \_\_\_\_\_

# Table des matières

---

<b>Importantes consignes de sécurité</b>	<b>36</b>
<b>Dimensions hotte</b>	<b>39</b>
<b>Hauteur requise pour l'installation</b>	<b>39</b>
<b>Pièces principales</b>	<b>40</b>
<b>Ensembles hottes et trousse de moteurs</b>	<b>42</b>
<b>Choisir la méthode de canalisation</b>	<b>43</b>
<b>Préparation du branchement</b>	<b>44</b>
<b>Préparation de l'installation de la hotte de plafond</b>	<b>45</b>
<b>Information relative à l'installation</b>	<b>46</b>
<b>Installation du ventilateur interne</b>	<b>47</b>
<b>Installation du ventilateur externe</b>	<b>49</b>
<b>Installation du bâti de la hotte</b>	<b>51</b>
<b>Raccorder les canalisations</b>	<b>57</b>
<b>Branchement du boîtier de connexion 2 (Connexion à distance uniquement)</b>	<b>59</b>
<b>Branchement du boîtier de connexion au réseau domestique</b>	<b>60</b>
<b>Information relative à l'utilisation et l'entretien</b>	<b>61</b>
<b>Schéma de câblage</b>	<b>65</b>

# IMPORTANTES CONSIGNES DE SÉCURITÉ

## VEUILLEZ LIRE ET CONSERVER LA PRÉSENTE NOTICE AVANT DE COMMENCER L'INSTALLATION DE LA HOTTE DE CUISINE

**AVERTISSEMENT : - POUR RÉDUIRE LE RISQUE D'UN FEU DE GRAISSE SUR LA TABLE DE CUISSON :**

- a) Ne laissez jamais sans surveillance les éléments de la surface de cuisson à température élevée. Les bouillonnements excessifs peuvent provoquer de la fumée et les débordements de graisse peuvent s'enflammer. L'huile doit être chauffée lentement, à une température basse ou moyenne.
- b) Assurez-vous de toujours mettre en marche la hotte lorsque vous cuisinez à température élevée ou préparez un mets flambé (p.ex. crêpes Suzette, cerises jubilé, bœuf flambé).
- c) Nettoyez régulièrement les ventilateurs d'aspiration. Assurez-vous de ne pas laisser de la graisse s'accumuler sur le ventilateur ou le filtre.
- d) Utilisez toujours des poêles et casseroles de la taille appropriée. Utilisez toujours des ustensiles de cuisine de la taille adaptée à celle de l'élément chauffant.

**AVERTISSEMENT : - POUR PRÉVENIR LES BLESSURES EN CAS DE FEU DE GRAISSE SUR LA TABLE DE CUISSON, SUIVEZ LES RECOMMANDATIONS SUIVANTES\* :**

- a) **ÉTOUFFEZ LES FLAMMES** à l'aide d'un couvercle hermétique, d'une plaque à biscuits ou d'un plateau métallique, puis éteignez le brûleur. FAITES ATTENTION AUX BRÛLURES. Si le feu ne s'éteint pas immédiatement, **QUITTEZ LES LIEUX ET APPELEZ LES POMPIERS.**
- b) **NE PRENEZ JAMAIS UNE CASSEROLE EN FLAMME** - Vous pourriez vous brûler.
- c) **N'UTILISEZ JAMAIS DE L'EAU**, ni un linge à vaisselle ou un torchon mouillé, pour éteindre le feu. Cela pourrait provoquer une violente explosion de vapeur.
- d) Utilisez un extincteur **UNIQUEMENT** si :
  1. Vous êtes certain qu'il s'agit d'un extincteur de classe ABC et que vous connaissez bien son mode d'emploi.
  2. Le feu est de faible intensité et se limite à l'endroit où il a démarré.
  3. Les pompiers ont déjà été appelés.
  4. Une voie de sortie se trouve derrière vous pendant que vous éteignez les flammes.

\* D'après le guide « Kitchen Firesafety Tips » publié par la NFPA aux États-Unis

**AVERTISSEMENT - POUR RÉDUIRE LE RISQUE D'INCENDIE OU DE CHOC ÉLECTRIQUE**, n'utilisez jamais ce ventilateur en association avec un dispositif de réglage de vitesse à semi-conducteurs.

**AVERTISSEMENT - POUR RÉDUIRE LES RISQUES D'INCENDIE, DE CHOC ÉLECTRIQUE OU DE BLESSURE CORPORELLE, RESPECTEZ LES INSTRUCTIONS SUIVANTES :**

1. Utilisez cet appareil uniquement de la façon prévue par le fabricant. Pour toute question, communiquez avec le fabricant.
2. Avant de procéder à l'entretien ou au nettoyage de l'appareil, coupez l'alimentation au niveau du panneau électrique et verrouillez-le pour vous assurer que l'électricité n'est pas rétablie accidentellement. S'il n'est pas possible de verrouiller le dispositif d'interruption de l'alimentation, affichez de façon ferme et bien visible un avis de danger, par exemple à l'aide d'une étiquette sur le panneau.

**ATTENTION : Destiné à un usage de ventilation générale uniquement.** N'utilisez pas ce dispositif pour l'aspiration de vapeurs ou de matériaux dangereux ou explosifs.

**AVERTISSEMENT - POUR RÉDUIRE LES RISQUES D'INCENDIE, DE CHOC ÉLECTRIQUE OU DE BLESSURE CORPORELLE, RESPECTEZ LES INSTRUCTIONS SUIVANTES :**

1. L'installation et le branchement électrique doivent être réalisés par un technicien qualifié et conformément à tous les codes et normes en vigueur, incluant ceux concernant la construction à l'épreuve du feu.
2. Afin de garantir une combustion et une évacuation adéquates des gaz par les conduites de la cheminée des appareils à combustion, une bonne aération est nécessaire pour éviter le refoulement. Respectez les lignes directrices fournies par le fabricant du matériel chauffant, ainsi que les normes de sécurité comme celles publiées par la National Fire Protection Association (NFPA) et la American Society for Heating, Refrigeration and Air Conditioning Engineers (ASHRAE) aux États-Unis, ainsi que les codes en vigueur dans votre région.

3. Lorsque vous faites une ouverture ou percez dans un mur ou le plafond, veillez à ne pas endommager les fils électriques ou d'autres dispositifs cachés.
4. Les ventilateurs canalisés doivent toujours être raccordés à l'extérieur.

TOUTE OUVERTURE DANS LE MUR OU LE PLANCHER À PROXIMITÉ DE LA HOTTE DOIT ÊTRE SCELLÉE.

Un espace libre d'au moins 35" est requis entre le bas de la hotte et la surface de cuisson ou le comptoir. Cette hotte a été homologuée par l'UL à cette distance de la surface de cuisson.

Consultez la notice d'installation de la surface de cuisson ou de la cuisinière fournie par le fabricant avant de pratiquer des ouvertures. **INSTALLATION DANS UNE MAISON MOBILE** L'installation de cette hotte doit être conforme à la Partie 3280 de la norme Manufactured Home Construction and Safety Standards, Title 24 CFR (précédemment la partie 280 de la norme Federal Standard for Mobile Home Construction and Safety, Title 24, HUD).

**A noter :** La présente hotte a été conçue pour réduire au minimum l'interférence électromagnétique (EMI) provenant de l'alimentation électrique domestique. Il peut toutefois survenir que, dans certaines applications domestiques, l'EMI ambiante et l'EMI excessive des autres dispositifs électroniques puissent nuire au fonctionnement de la télécommande.

Renseignez-vous auprès de votre distributeur Faber au sujet d'une pièce de rechange en option permettant de réduire l'EMI des sources domestiques.

### CRITÈRES DE VENTILATION

Déterminez quelle méthode de ventilation est mieux adaptée à votre application. Les conduits peuvent passer par le mur ou le toit. Pour garantir une meilleure efficacité, la longueur des conduits et le nombre de coudes doivent être le plus limités que possible. Le diamètre des conduits devrait être uniforme. N'installez pas deux coudes ensemble. Utilisez un ruban pour canalisations afin de sceller tous les joints du système de conduits. Utilisez un calfeutrage pour sceller les ouvertures dans le mur extérieur ou le plafond, autour du clapet.

**Il n'est pas recommandé d'utiliser des conduits flexibles. Les conduits flexibles provoquent une contre-pression et de la turbulence qui diminuent grandement l'efficacité de l'appareil.**

Assurez-vous que l'espace libre dans le mur ou le plafond est suffisant pour le conduit d'évacuation avant de pratiquer les ouvertures. Ne coupez jamais une poutre ou un chevron, sauf si c'est absolument nécessaire. S'il s'avère nécessaire de couper une poutre ou un chevron, la construction d'un renforcement est requise.

**AVERTISSEMENT - Pour réduire le risque d'incendie, utilisez uniquement des conduits métalliques.**

**ATTENTION - Pour réduire le risque d'incendie et pour évacuer adéquatement l'air, assurez-vous de raccorder les conduits à l'extérieur – Ne diffusez pas l'air d'évacuation dans des espaces à l'intérieur des murs ou du plafond, ou encore à l'intérieur d'un grenier, d'une galerie technique ou d'un garage.**

### Installation dans les climats froids

Le système de ventilation doit prévoir un registre antirefoulement supplémentaire pour réduire le flux d'air froid inverse, ainsi qu'une barrière thermique non métallique pour réduire la conduction des températures extérieures. Le registre doit être installé du côté air froid par rapport à la barrière thermique. La barrière thermique doit être positionnée le plus près que possible de l'endroit où le système de ventilation pénètre dans la partie chauffée de la maison.



## AVERTISSEMENT

- Le système de ventilation DOIT déboucher à l'extérieur.
- **NE FAITES PAS** déboucher les conduits dans un grenier ou un autre endroit fermé.
- **N'UTILISEZ PAS** un clapet de sècheuse mural de 4".
- Il n'est pas recommandé d'utiliser des conduits flexibles.
- **N'ENTRAVEZ PAS** le flux de l'air de combustion et de ventilation.
- Le non-respect des exigences en matière de ventilation pourrait entraîner un incendie.

## FICHE TECHNIQUE ÉLECTRIQUE

Une alimentation de courant alternatif de 120 volts à 60 Hz est requise sur un circuit à fusible distinct de 15 ampères. Il est recommandé d'installer un fusible temporisé ou un disjoncteur. Le fusible doit être calibré conformément aux codes en vigueur pour les caractéristiques nominales électriques de l'appareil, indiquées sur la plaque signalétique située à l'intérieur de l'appareil, à proximité du compartiment des câblages externes.

### INSTALLATION ÉLECTRIQUE AVEC BOÎTIER DE CONNEXION

CET APPAREIL DOIT ÊTRE UNIQUEMENT BRANCHÉ À L'AIDE DE FILS DE CUIVRE. Le calibre des fils doit être conforme aux critères de la dernière édition du National Electrical Code, de l'ANSI/NFPA 70 et de l'ensemble des codes et réglementations en vigueur. Le calibre des fils et les connexions doivent être adaptés aux caractéristiques nominales de l'appareil. Il est possible de se procurer un exemplaire des normes indiquées ci-dessus en communiquant avec :

National Fire Protection Association  
Batterymarch Park  
Quincy, Massachusetts 02269 (États-Unis)

Cet appareil devrait être branché directement au sectionneur à fusible (ou au disjoncteur) par un câble flexible de cuivre avec blindage ou gaine non métallique. Laissez un peu de jeu dans le câble pour permettre le déplacement de l'appareil si des travaux d'entretien s'avéraient nécessaires. Un raccord de conduit homologué par l'UL de 1/2" doit être installé aux deux extrémités du câble d'alimentation (au niveau de l'appareil et de la boîte de liaison).

Lors de la réalisation du branchement électrique, réalisez un trou de 1 1/4". S'il s'agit d'un trou dans le bois, il doit être poncé pour le rendre lisse. S'il s'agit d'un trou dans le métal, un passe-fils est requis.



## AVERTISSEMENT

- Une mise à la terre électrique est requise pour cette hotte.
- N'UTILISEZ PAS un tuyau d'eau froide pour la mise à la terre si celui-ci est branché par des joints en plastique, par des rondelles non métalliques ou d'autres matériaux.
- N'UTILISEZ PAS une conduite de gaz pour la mise à la terre.
- N'INSTALLEZ PAS un fusible sur le circuit neutre ou le circuit de mise à la terre. La présence d'un fusible dans le circuit neutre ou de mise à la terre peut entraîner un choc électrique.
- Consultez un électricien qualifié si vous n'êtes pas certain de la mise à la terre de la hotte.
- Le non-respect des exigences de la fiche technique électrique pourrait entraîner un incendie.

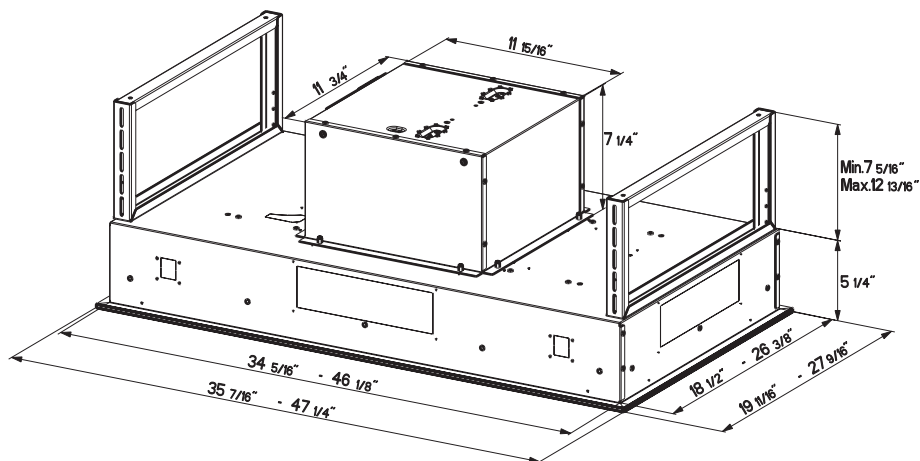
### Avertissement relatif à la proposition 65 de l'État de Californie (États-Unis uniquement)

#### AVERTISSEMENT

Ce produit contient des éléments chimiques que l'État de Californie considère comme étant cancérigènes ou causant des malformations congénitales ou d'autres troubles de la reproduction.

Pour de plus amples renseignements, consultez le site [www.P65Warnings.ca.gov](http://www.P65Warnings.ca.gov)

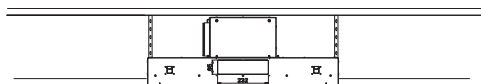
# DIMENSIONS DE LA HOTTE



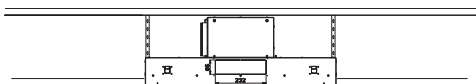
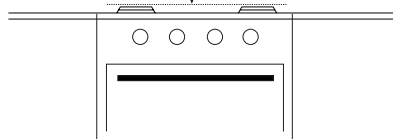
## HAUTEUR REQUISE POUR L'INSTALLATION

Il est recommandé de monter la hotte à une hauteur de 60" de la surface de cuisson pour un résultat optimal, mais il est possible de la monter jusqu'à un maximum de 72" au-dessus de la surface de cuisson.

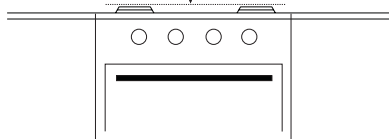
Un point d'accès à la hotte doit être créé dans le plafond ou le parement pour l'installation et en vue d'accéder plus tard à la hotte.



MIN. 35" D'ÉCART (ÉLECTRIQUE/AU GAZ)







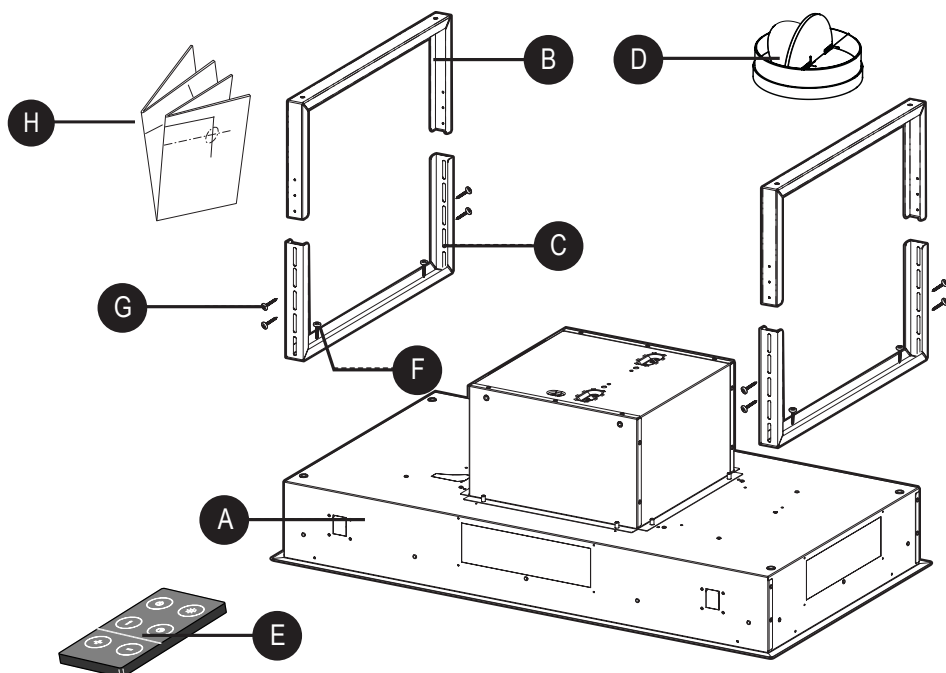
MAX. 72" D'ÉCART (ÉLECTRIQUE/AU GAZ)






## PIÈCES PRINCIPALES

RÉF.	PIÈCE	QTÉ
<b>A</b>	Bâti de la hotte avec : Commandes, éclairages, filtres.	1
<b>B</b>	Bride de montage supérieure	2
<b>C</b>	Bride de montage inférieure	2
<b>D</b>	Registre $\varnothing 6''$	1
<b>E</b>	Télécommande	1
<b>H</b>	Gabarit de perçage	1

RÉF.	PIÈCE	QTÉ
<b>F</b>	Vis à tête étoile (1/4" x 9/16")  	4
<b>G</b>	Vis à tête Pozidriv (1/8" x 3/8")  	8



## PIÈCES REQUISES

PIÈCE	
Conduit métallique 6" circulaire	
Connecteurs de fils.	
Cheilles pour cloison sèche ou autre système de fixation mural, en fonction de votre installation.	

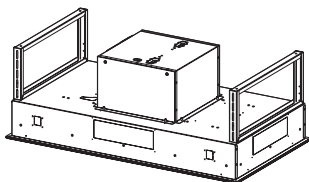
## ACCESSOIRES DISPONIBLES

ACCESSOIRE	NO D'ARTICLE#
Trousse de filtre à charbon actif accessoire	<b>#FILTER1</b>
Trousse de filtre à charbon actif longue durée lavable	<b>#FILTER1LL</b>
Ventilateur interne 600 PRO IB600	<b>#IB600 kit</b>
Ventilateur interne 400 IB400	<b>#IB400 kit</b>
Ventilateur interne 300 IB300	<b>#IB300 kit</b>
Ventilateur à distance 900 RB900 (flasque 10" inclus)	<b>#RB900 kit</b>
Ventilateur à distance 1200 RB1200 (flasque 10" inclus)	<b>#RB1200 kit</b>
Flasque 10" pour ventilateur en ligne	<b>#FLANGE10</b>

ATTENTION - Pour réduire le risque d'incendie ou de choc électrique, installez cette hotte uniquement avec les ventilateurs à distance RB900 kit ou RB1200 kit, fabriqués par Faber, avec les ventilateurs intégraux fabriqués par Faber, modèles IB600 kit, IB400 kit ou IB 300 kit, ou encore avec un ventilateur à distance générique ayant une valeur nominale maximale de 2,7 A et compatible avec une commande de vitesse à semi-conducteur.



# ENSEMBLES HOTTE ET TROUSSE MOTEUR



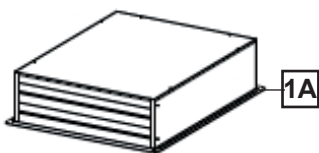
**FLANGE10**  
(Ventilateur en ligne)

Conserver flasque 10"

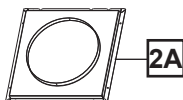


**RB900 kit et RB1200 kit**  
(ventilateur à distance)

Conserver Ventilateur



Conserver flasque 10"

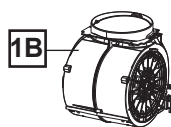


Jeter flasque 10"  
avec boîtier de connexion

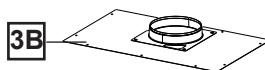


**IB600 kit, IB400 kit, IB300 kit**  
(ventilateur interne)

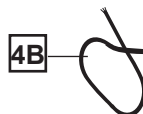
Conserver Ventilateur



Jeter flasque 6"



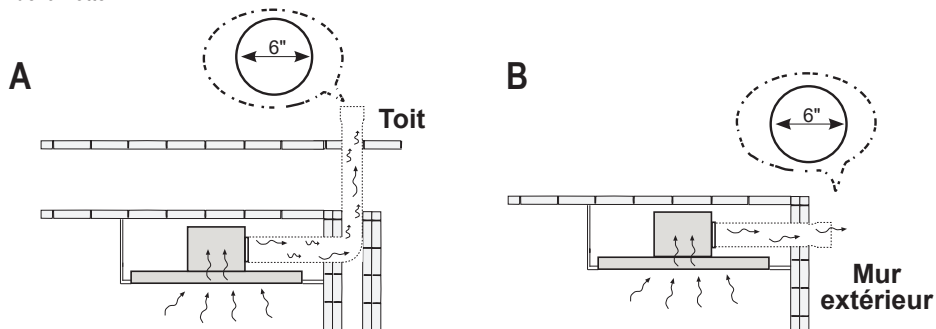
Jeter câble de branchement



# CHOISIR LA MÉTHODE DE CANALISATION

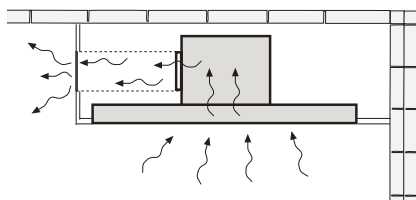
## Options avec ventilation canalisée

**Attention :** Si vous devez installer un coude, placez-le le plus loin possible de l'ouverture d'évacuation de la hotte.



## Options de recyclage sans canalisation

Filter à charbon actif accessoire FILTER1 ou FILTER1LL requis (acheté séparément).  
Le couvercle du registre de la sortie d'air est illustré à titre indicatif; il n'est pas inclus.



Recommandé  
d'utiliser un  
couvercle de registre  
à la sortie d'air.

**À noter:** Pour réduire le risque d'incendie ou de choc électrique lorsque l'appareil est en mode recyclage, utilisez uniquement le modèle FILTER 1 ou FILTER1LL pour trousse de conversion.

Deux personnes requises  
pour l'installation

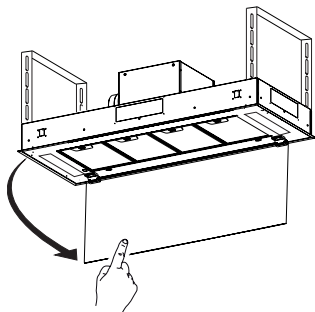


**OK!**

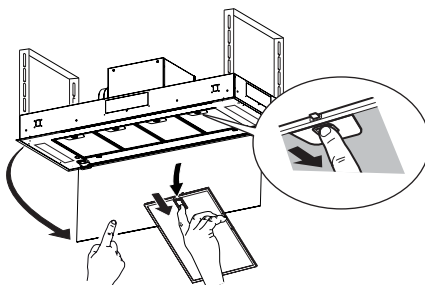
Portez des gants  
par mesure de sécurité.



- 1** Ouvrez le panneau de protection du filtre. Le panneau de protection du filtre est retenu par un dispositif magnétique. Tirez vers le bas avec force pour le dégager, comme illustré ci-dessous.



- 2** Retirez les filtres à graisse un à un, en les poussant vers l'arrière de l'appareil et en les tirant vers le bas simultanément. Mettez-les à part.

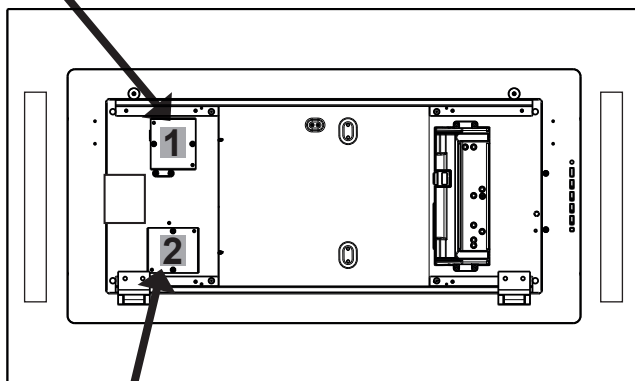


## PRÉPARATION DU BRANCHEMENT

Choisissez la méthode de branchement en fonction du type de ventilateur

Boîtier de connexion 1 du câble d'alimentation du réseau domestique  
et boîtier de connexion 2 du ventilateur à distance

Boîtier de  
connexion 1 pour le  
branchement du câble  
d'alimentation du  
réseau domestique à  
la hotte.

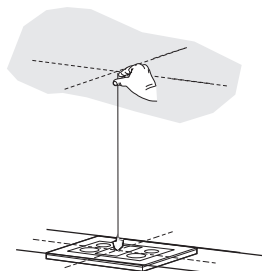


BOÎTIER DE  
CONNEXION 2  
pour le branchement  
du ventilateur interne  
ou externe à la hotte.

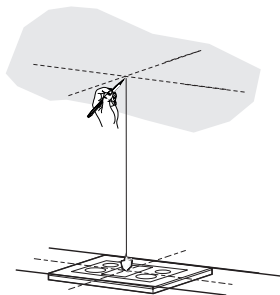
# PRÉPARATION DE L'INSTALLATION DE LA HOTTE DE PLAFOND

Ne pratiquez aucune ouverture avant d'avoir décidé si l'installation sera canalisée ou non, et avant d'avoir préparé les connexions selon le type de ventilateur.

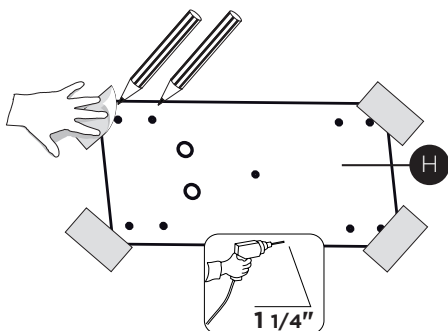
- 3** Utilisez un fil à plomb pour marquer le centre de la hotte au plafond.



- 4** Tracez des repères aux centres.



- 5**
- Pour tous les types d'installation, un point d'accès à la hotte doit être créé pour l'installation de la hotte et son entretien à venir.
  - Placez une protection épaisse sur la surface de cuisson, pour éviter qu'elle soit endommagée ou salie.
  - Utilisez le gabarit de montage au plafond pour déterminer la position des vis de montage sur le plafond.
  - Tracez des repères au centre des trous indiqués sur le gabarit de montage au plafond.
  - Déterminez les ouvertures nécessaires pour les conduits et pratiquez-les.
  - Installez les conduits avant de monter la hotte.
  - Déterminez l'emplacement adéquat pour le câble d'alimentation, comme indiqué sur le gabarit.
  - Utilisez une mèche de 1 1/4" pour percer ce trou.
  - Faites passer le câble d'alimentation. Utilisez un calfeutrage pour sceller autour du trou.
  - Une pièce à défoncer pour le passage de l'alimentation électrique du plafond est située au sommet de la hotte.
  - Ne branchez pas le câble d'alimentation au boîtier de connexion et n'alimentez pas la hotte à ce moment.
  - Acheminez une longueur de câble électrique du plafond suffisante pour atteindre le boîtier de connexion sur la hotte.



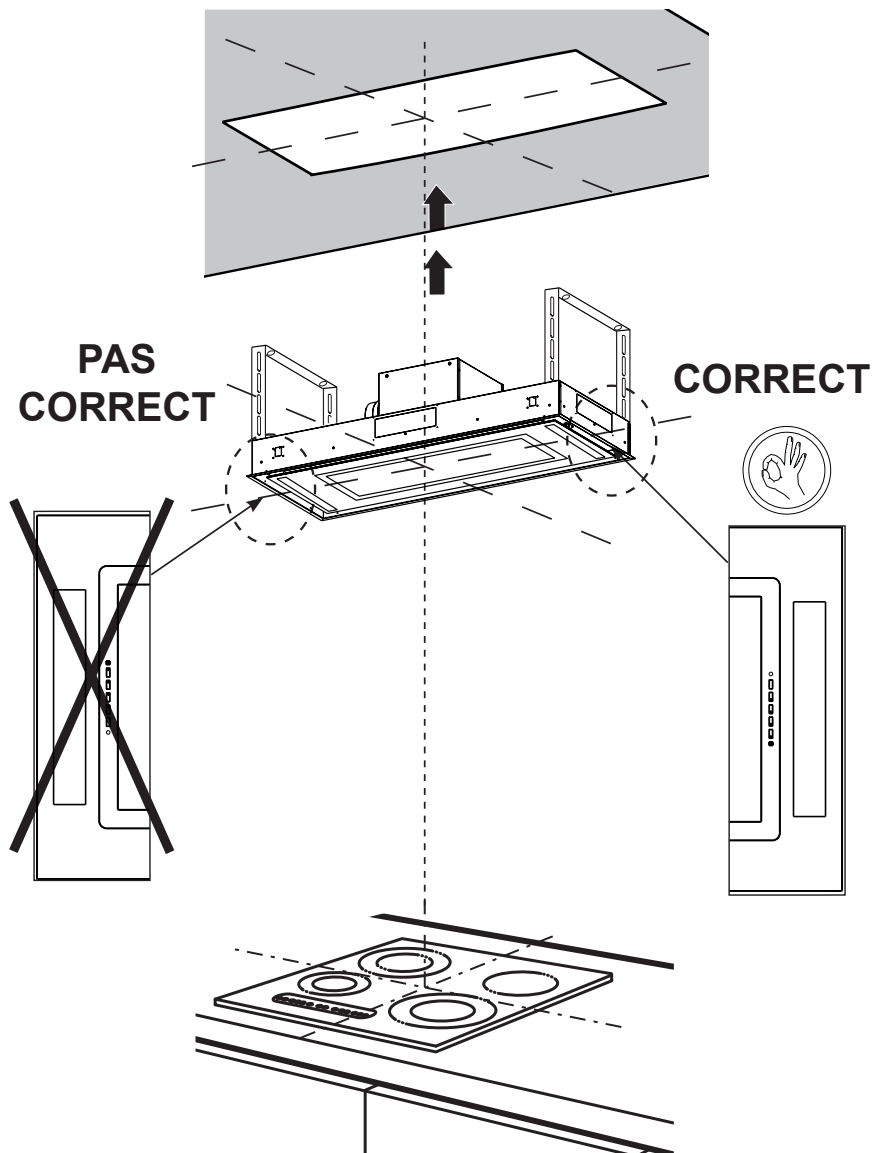
## ⚠ AVERTISSEMENT

COMPTE TENU DE LA DIMENSION ET DU POIDS DE CETTE HOTTE, LE SOCLE DOIT ÊTRE SOLIDEMENT ANCRÉ AU PLAFOND.

Si le plafond est en plâtre ou en plaque de plâtre, le socle doit être ancré aux poutres. Si cela n'est pas possible, une structure de soutien doit être construite derrière le plâtre ou la plaque de plâtre. Le fabricant ne peut être tenu responsable en cas de blessures ou de dommages provoqués par une mauvaise installation.

# INFORMATION RELATIVE À L'INSTALLATION

En prévision de l'installation de la hotte, orientez celle-ci avec le panneau de commande vers la droite, comme illustré ci-dessous.

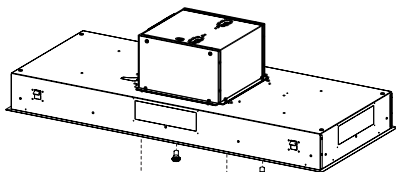


# INSTALLATION DU VENTILATEUR INTERNE

Si vous utilisez la trousse de ventilateur interne, IB 600 kit ou IB 400 kit ou IB 300 kit, veuillez jeter le flasque (3B) et le câble (4B), fournis avec la trousse du ventilateur interne, illustré à la page 10. Utilisez uniquement le flasque 10".

## Séparez le carter et la hotte

- 1** Dévissez les 4 vis pour démonter le Carter pour le ventilateur.

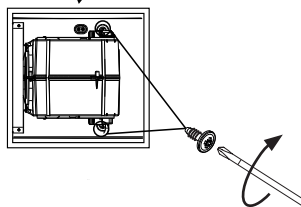
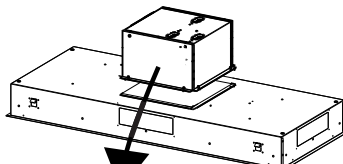


Tournevis étoile



## Fixez le ventilateur interne

- 2** Placez le ventilateur interne comme illustré dans le carter du ventilateur. Fixez le ventilateur interne dans le carter à l'aide des deux vis fournies avec le ventilateur interne.



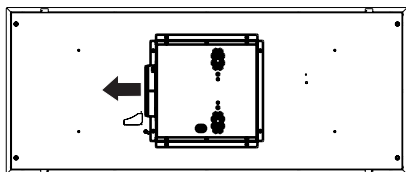
Tournevis cruciforme



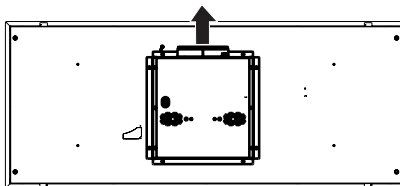
## Choisissez l'emplacement du carter (gauche/droite/arrière/avant)

- 3** Il est possible de choisir parmi quatre directions de ventilation différentes pour le ventilateur, comme illustré. Tournez le carter avec le ventilateur jusqu'à la bonne position.

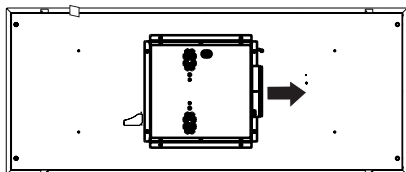
### Gauche



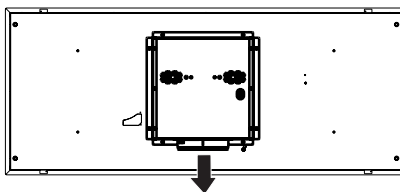
### Arrière



### Droite



### Avant



## Branchez le câble électrique

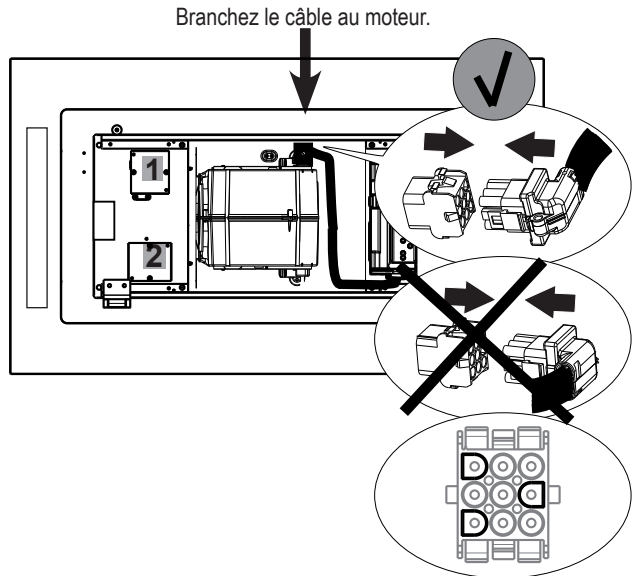
4

Lorsque le ventilateur est monté dans la hotte, branchez dans le ventilateur le faisceau avec connecteur provenant du boîtier de commande.

**IMPORTANT :** N'utilisez pas le faisceau fourni avec votre ventilateur interne (IB600 kit, IB400 kit, IB300 kit).

**IMPORTANT:** En cas d'installation avec ventilateur interne, ne branchez pas le câble de commande au boîtier de connexion 1 ou au boîtier de connexion 2.

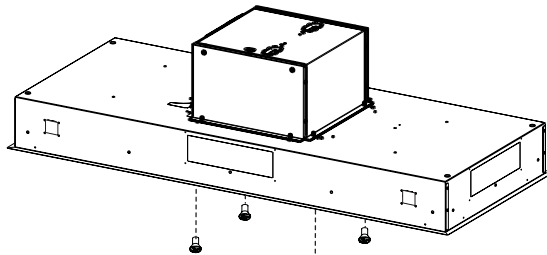
**IMPORTANT:** N'utilisez PAS le boîtier de connexion 2 pour une installation avec ventilateur interne.



## Fixez le carter du moteur à la hotte

5

Fixez le carter avec le ventilateur à l'aide des 4 vis enlevées précédemment.



Tournevis étoile

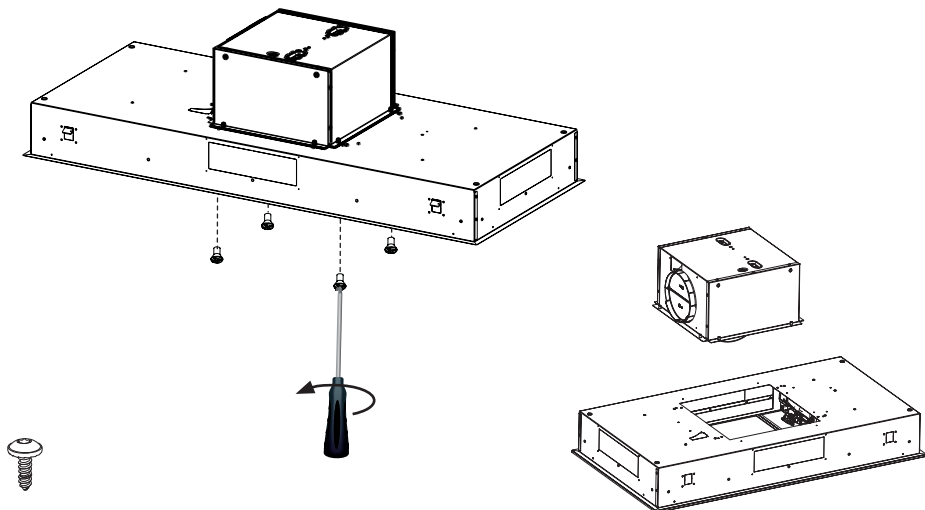


# INSTALLATION DU VENTILATEUR EXTERNE

Si vous utilisez la trousse pour ventilateur à distance, RB 900 kit ou RB 1200 kit, ou encore l'option de ventilateur en ligne, veuillez jeter le flasque (3A) compris dans la trousse et illustré à la page 10.

## Séparez le carter de la hotte

- 1** Dévissez les 4 vis pour détacher le carter de ventilateur du bâti de la hotte. Conservez les vis. Le carter de ventilateur n'est pas utilisé pour l'installation avec ventilateur à distance. Il est possible de le jeter, ou encore de le conserver pour plus tard, en cas de passage à un ventilateur interne.

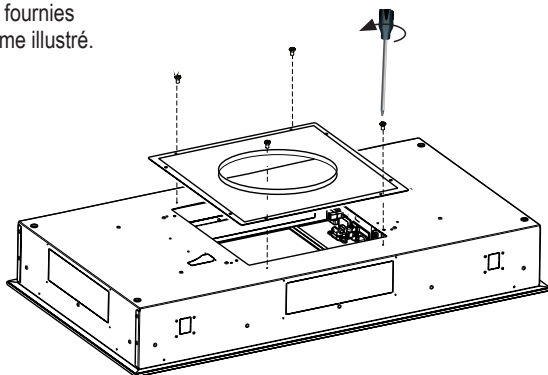


Tournevis étoile



## Fixez le FLASQUE 10" (2A) en option

- 2** Fixez le FLASQUE 10" (2A) avec 4 vis fournies dans le sac d'articles de montage comme illustré.



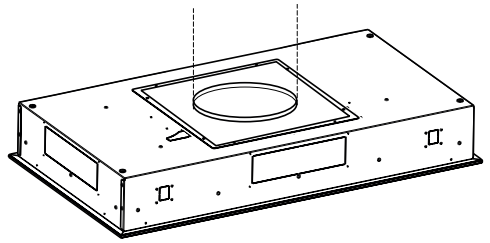
Tournevis étoile





### Raccordez à la sortie d'air

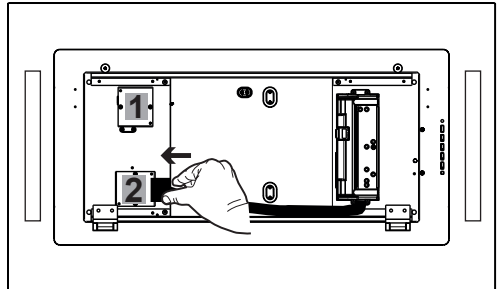
- 3** Raccordez la sortie d'air du bâti de la hotte à la sortie d'air du ventilateur à distance.



### Branchement au boîtier 2 (boîtier de connexion du ventilateur à distance)

**4**

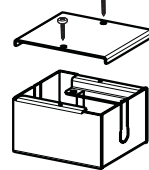
1. Branchez le câble au boîtier de connexion 2 depuis l'intérieur de la hotte, comme illustré sur l'image à droite.



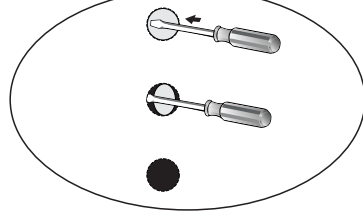
2. Depuis l'intérieur de la hotte, retirez le couvercle du boîtier de connexion 2 en retirant les deux vis.

Boîtier

**2**



3. Défoncez l'orifice approprié du boîtier de connexion 2 pour faire passer les câbles du ventilateur à distance.



# INSTALLATION DU BÂTI DE LA HOTTE

Choisissez la méthode adaptée pour l'installation des brides

## Option A

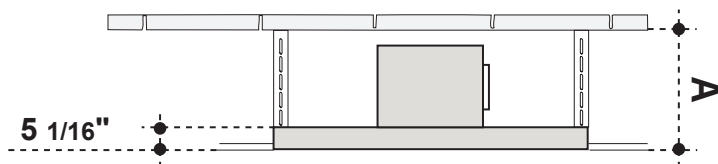
Les étapes 7a-7b-7c représentent une option pour le montage de la hotte quand l'accès depuis le haut du plafond/parement est disponible (voir page 20).

## Option B

Les étapes 8a-8b-8c représentent une option pour le montage de la hotte à l'aide des brides quand l'accès depuis le haut n'est pas disponible et que le parement est déjà terminé (voir page 22).

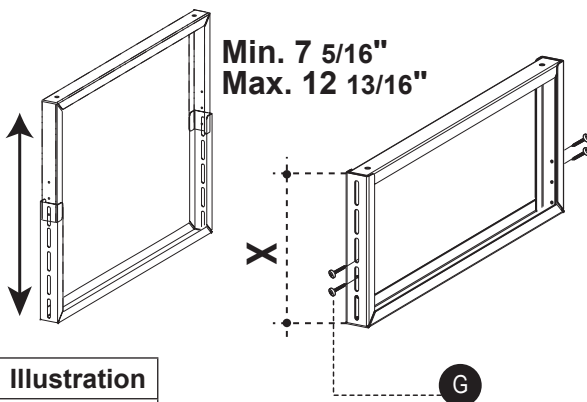
### Assemblez les brides de montage de la hotte


6



$$X = A - 5 \frac{1}{16}''$$

Comme illustré, vous devez tenir compte de la hauteur du bâti de la hotte dans l'espace au-dessus de l'appareil. Après avoir déterminé la hauteur des brides, utilisez les 8 vis de la liste des pièces, à la page 8, pour monter les brides.



Réf.	Mesures	Illustration
G	1/8" x 3/8"	

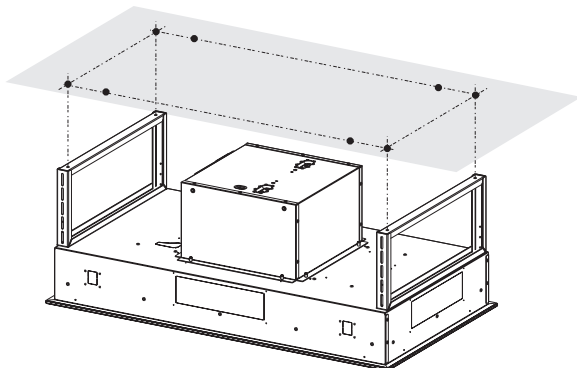
## OPTION A - INSTALLATION DE LA HOTTE QUAND LE PAREMENT N'A PAS ÉTÉ COMPLÉTÉ

Utilisez cette méthode d'installation si vous pouvez installer la hotte depuis le haut

### Repères au plafond

#### 7.a

Consultez l'image ci-dessous pour plus de détails sur les orifices à pratiquer dans la surface de montage (plafond intérieur ou parement) qui serviront au montage des fixations des brides. Les éléments de fixation utilisés doivent être adaptés aux orifices de 5/16" et sont achetés séparément.

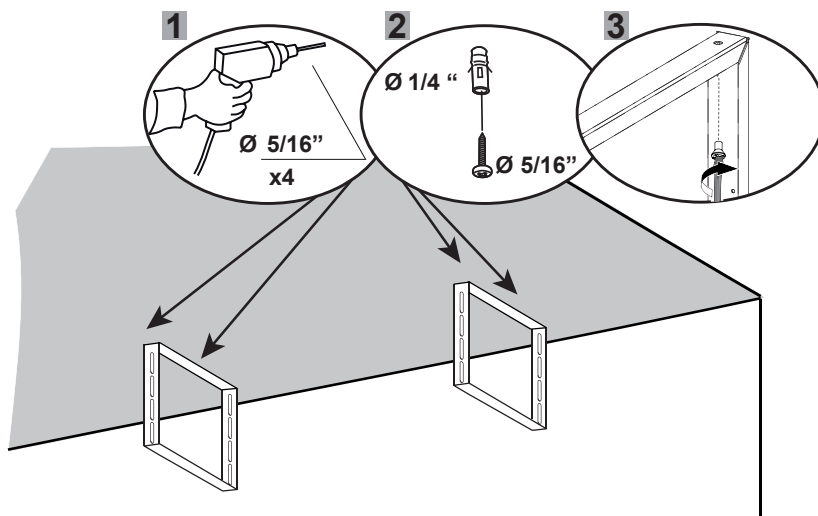


### Installation des brides au plafond

#### 7.b

Sur le gabarit, utilisez les trous plus éloignés de la ligne centrale pour l'emplacement des éléments de fixation au plafond (achetés séparément)

Utilisez des chevilles ou d'autres éléments de renfort en association avec les éléments de fixation au plafond (achetés séparément).



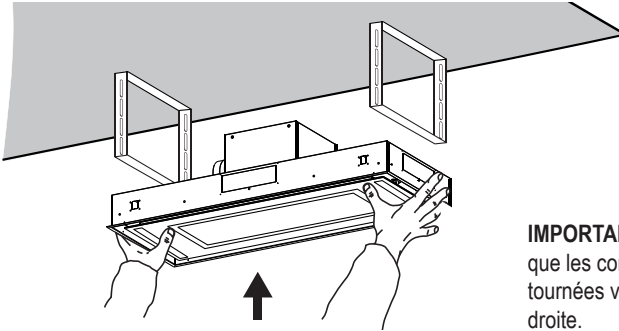
- (1) Utilisez une mèche de 5/16" pour percer ce trou.
- (2) Utilisez des chevilles au besoin ou d'autres éléments de renfort en association avec les éléments de fixation au plafond (achetés séparément).
- (3) Utilisez des chevilles ou d'autres éléments de renfort en association avec les éléments de fixation au plafond (achetés séparément) pour fixer les brides.

## Fixez la hotte aux brides

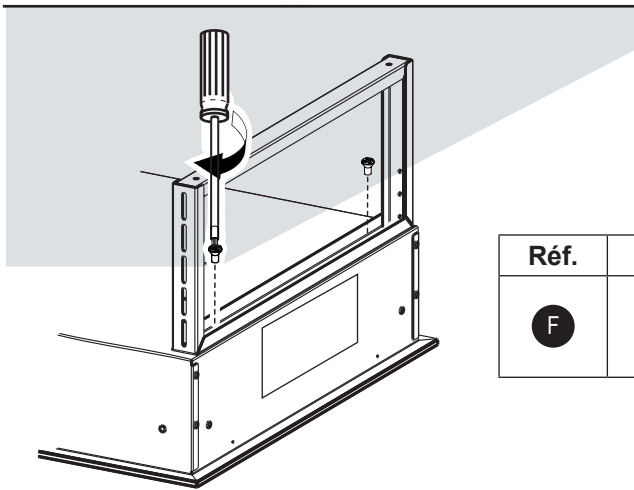
### 7.c

Fixez le bâti de la hotte aux brides de fixation au plafond. Utilisez les 4 vis **F** de la liste des pièces de la page 6 pour fixer le bâti de la hotte aux brides de fixation au plafond.

Il est nécessaire d'avoir accès à l'espace au-dessus. Laissez un point d'accès dans le parement pour accéder à la hotte à l'avenir.



**IMPORTANT :** Assurez-vous que les commandes sont tournées vers vous et à droite.



Réf.	Mesures	Illustration
<b>F</b>	1/4" x 9/16"	

## OPTION B - INSTALLATION DE LA HOTTE QUAND LE PAREMENT A ÉTÉ COMPLÉTÉ

Utilisez cette méthode d'installation si vous ne pouvez pas installer la hotte depuis le haut

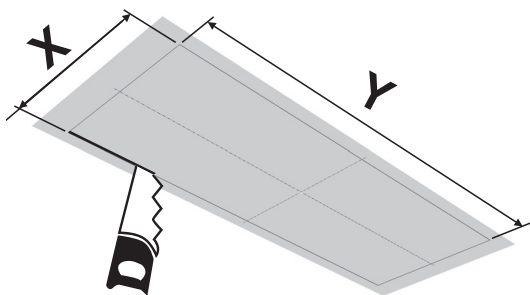
### Important :

- Les étapes **8a-8b-8c-8d** représentent une option pour le montage de la hotte à l'aide des brides quand l'accès depuis le haut du plafond/parement N'EST PAS disponible.
- Les brides sont d'abord montées au parement du plafond, puis la hotte est montée sur les brides depuis l'intérieur de la hotte

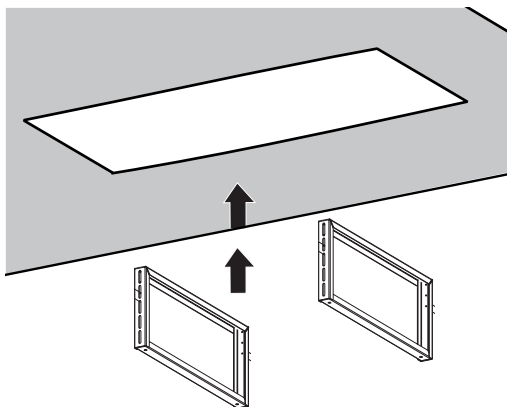
### Ouverture pour le plafond/parement

#### 8.a

Consultez l'image pour connaître les dimensions de l'ouverture au plafond.



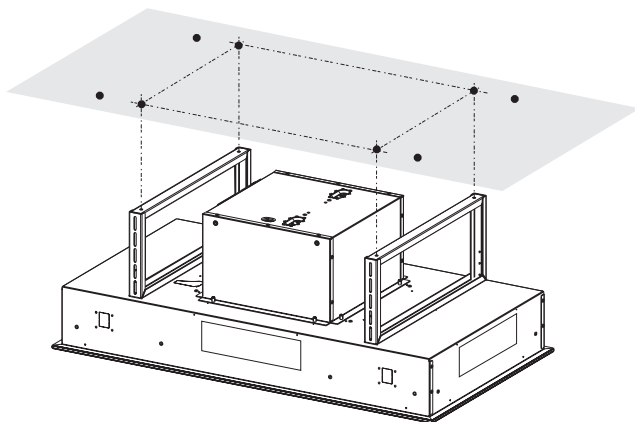
Hotte	X	Y
36"	18 11/16"	34 9/16"



## Installations des brides au plafond pour parement

### 8.b

Consultez l'image ci-dessous pour plus de détails sur les orifices à pratiquer dans la surface de montage (plafond intérieur ou parement) qui serviront au montage des fixations des brides. Les éléments de fixation utilisés doivent être adaptés aux orifices de 5/16" et sont achetés séparément.

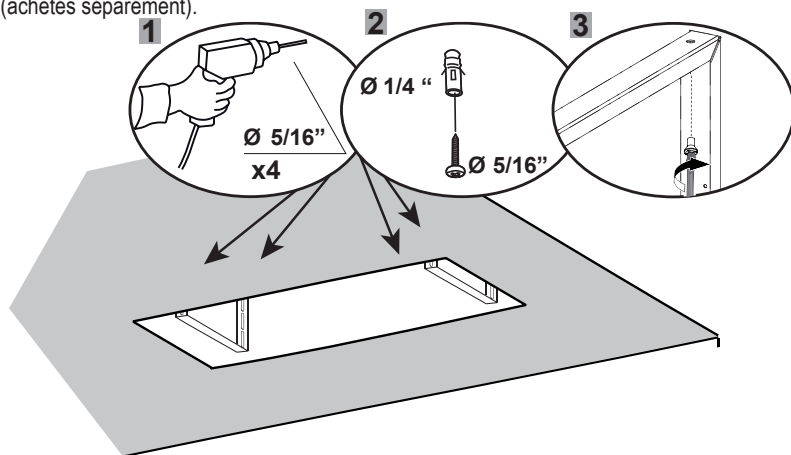


### Installation des brides au plafond

### 8.c

Utilisez les trous indiqués sur le gabarit les plus rapprochés de la ligne centrale pour les éléments de fixation au plafond (achetés séparément).

Utilisez des chevilles ou d'autres éléments de renfort en association avec les éléments de fixation au plafond (achetés séparément).

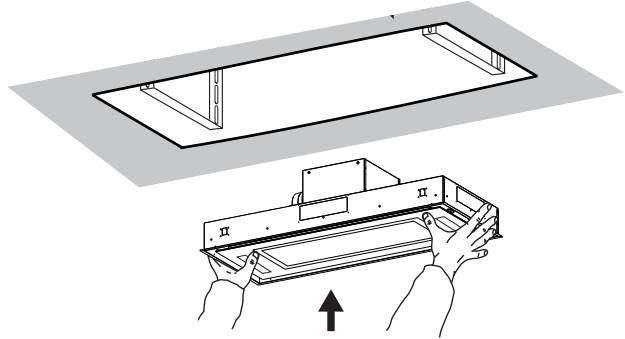


- (1) Utilisez une mèche de 5/16" pour percer ce trou.
- (2) Utilisez des chevilles au besoin ou d'autres éléments de renfort en association avec les éléments de fixation au plafond (achetés séparément).
- (3) Utilisez des chevilles ou d'autres éléments de renfort appropriés en association avec les éléments de fixation au plafond (achetés séparément) pour fixer les brides.

## Fixez la hotte aux brides

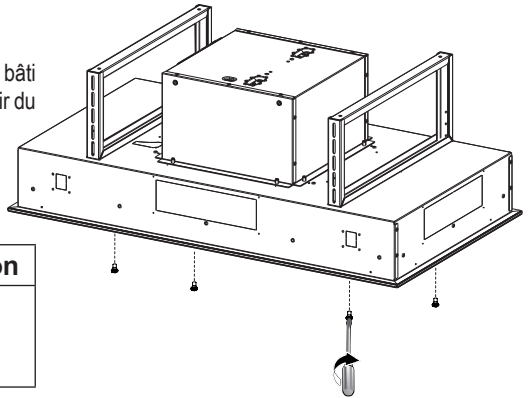
### 8.d


Fixez la hotte aux brides

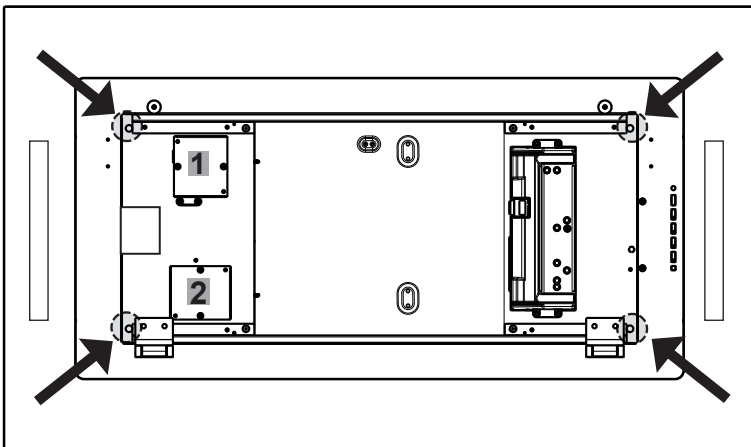


## Utilisez les vis pour fixer la hotte aux brides du plafond

Utilisez les 4 vis de la liste des pièces pour fixer le bâti de la hotte aux brides de fixation du plafond à partir du fond à l'intérieur de la hotte.



Réf.	Mesures	Illustration
F	1/4" x 9/16"	



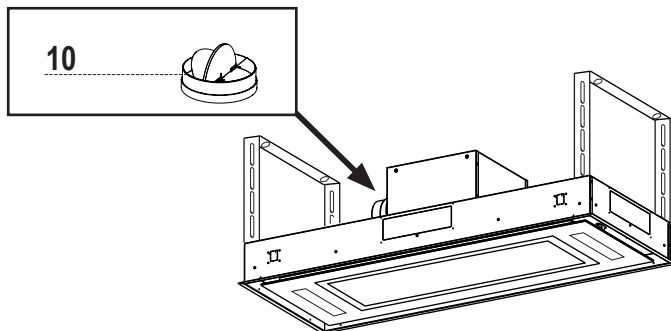
# RACCORDER LES CANALISATIONS

## Installation avec ventilation canalisée

### Installez le registre

9

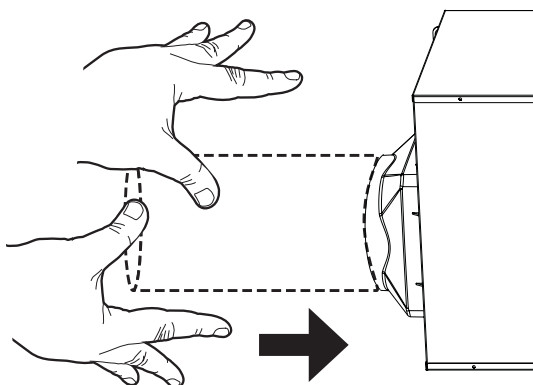
Installez le registre inclus avec la hotte avant de la raccorder aux conduits. Scellez à l'aide de ruban métallique pour canalisation.



### Raccordez à la sortie d'air

10

Raccordez la hotte au tuyau de sortie d'air. Utilisez du ruban métallique pour canalisations pour sceller le joint.

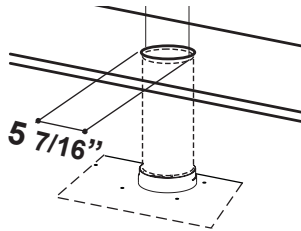




## Options de recyclage sans canalisation

### 11a

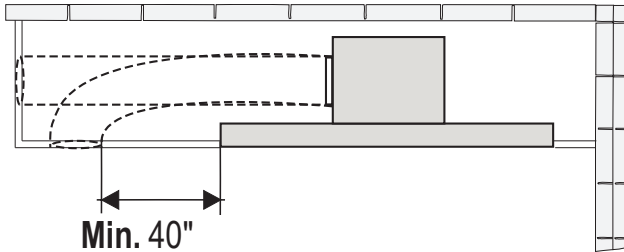
Orifice de recyclage



### 11b

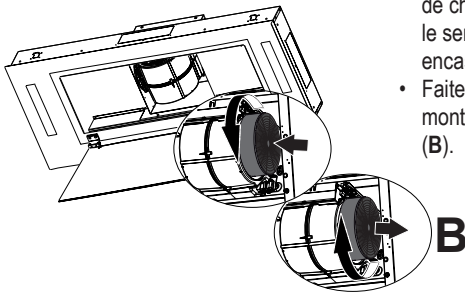
Information relative à l'orifice de recyclage

Maintenez une distance minimale de 40" entre le conduit de retour d'air et le côté de la hotte.



### 12

Installez le filtre à charbon actif



- Fixez les filtres à charbon à la grille noire de chaque côté du ventilateur.
- Pressez fermement le filtre à charbon contre la grille noire de chaque côté du ventilateur et faites tourner le filtre dans le sens des aiguilles d'une montre (vers l'avant de la hotte encastrable) jusqu'à ce qu'il soit verrouillé en place (A).
- Faites tourner dans le sens contraire des aiguilles d'une montre (vers l'arrière de la hotte encastrable) pour l'enlever (B).

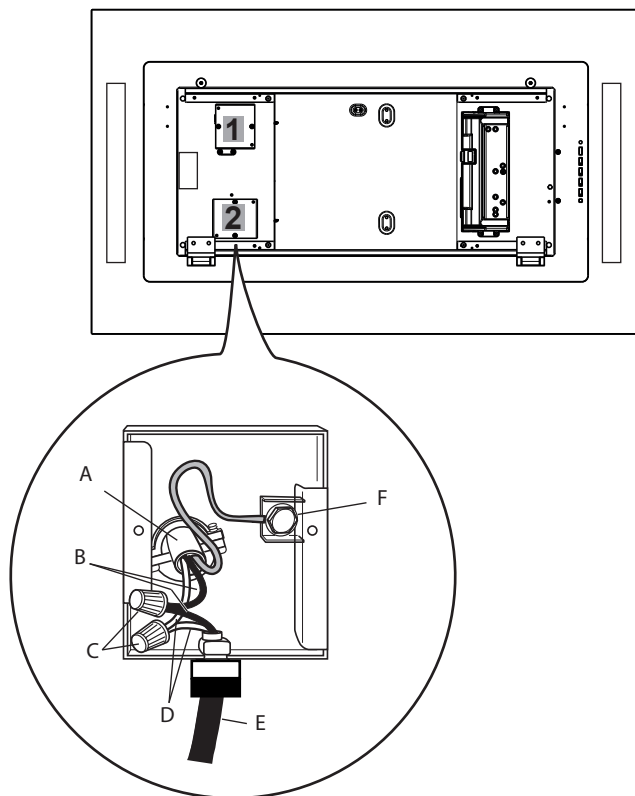
Filtere à charbon actif accessoire requis - no d'article # - FILTER1 ou FILTER1LL (acheté séparément).



## BRANCHEMENT DU BOÎTIER DE CONNEXION 2 (Boîtier de connexion de ventilateur à distance)

### 13 IMPORTANT : POUR INSTALLATION DE VENTILATEUR EXTERNE UNIQUEMENT

- Branchez le câble du ventilateur à distance aux deux fils à l'intérieur du boîtier de connexion 2 en utilisant un connecteur verrouillé par rotation et en faisant correspondre les couleurs :
  - Noir avec noir
  - Blanc avec blanc
- Branchez le fil vert de mise à la terre du ventilateur à distance à la vis verte de mise à la terre.
- Remettez en place le couvercle du compartiment des câblages externes.
- Consultez le schéma de câblage.

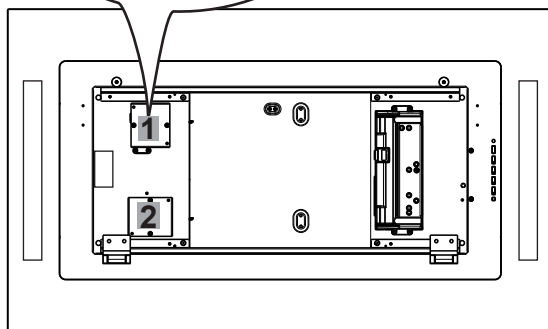
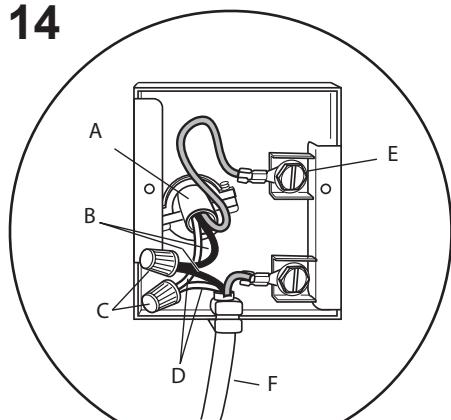


- A. Câble d'alimentation électrique du ventilateur à distance.
- B. Fils noirs.
- C. Serre-fils homologué UL.
- D. Fils blancs.
- E. Câble interne de hotte.
- F. Vis verte de mise à la terre.

# BRANCHEMENT DU BOÎTIER DE CONNEXION AU RÉSEAU DOMESTIQUE

Brancher l'alimentation domestique à la hotte

## 14



**Installation du branchement au réseau d'alimentation domestique du boîtier de connexion 1**

1. Retirez le couvercle du compartiment des câblages externes. **NE METTEZ PAS** l'alimentation sous tension avant d'avoir terminé l'installation!
2. Branchez le câble d'alimentation à la hotte.
3. Branchez le fil vert (vert et jaune) de mise à la terre sous la vis verte de mise à la terre.
4. Branchez le fil blanc de l'alimentation au fil blanc de la hotte à l'aide d'un connecteur verrouillé par rotation.
5. Branchez le fil noir de l'alimentation au fil noir de la hotte à l'aide d'un connecteur verrouillé par rotation.
6. Remettez le couvercle du boîtier de connexion 1 et les filtres à graisse en place.
7. Consultez le schéma de câblage.

A. Câble d'alimentation du réseau domestique.

B. Fils noirs.

C. Serre-fils homologué UL.

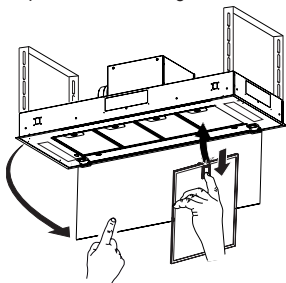
D. Fils blancs.

E. Fil vert de mise à la terre (ou fil nu) de l'alimentation domestique, à brancher à la vis verte de mise à la terre.

F. Câble d'alimentation de la hotte.

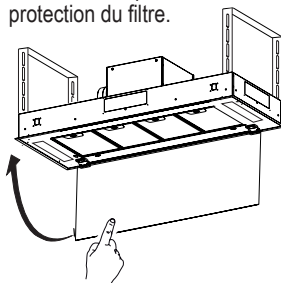
## 15

Remplacez les filtres à graisse.



## 16

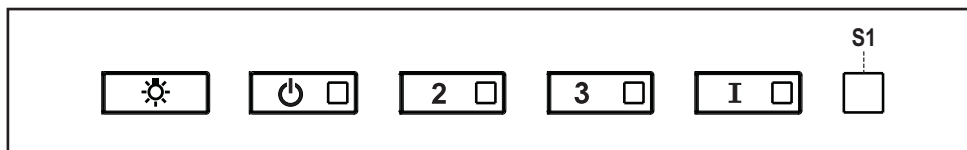
Refermez le panneau de protection du filtre.



# INFORMATION RELATIVE À L'UTILISATION ET L'ENTRETIEN

## Pour de meilleurs résultats

Activez la hotte quelques minutes avant de commencer à cuisiner pour créer un flux d'air adéquat. Laissez la hotte fonctionner quelques minutes après avoir fini de cuisiner pour absorber toute la fumée et les odeurs de la cuisine.

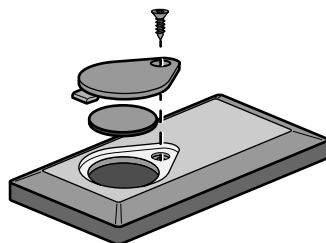


Bouton	Fonction	DEL
	Allume/Éteint l'éclairage à la puissance maximale. Appuyez sur ce bouton et tenez-le enfoncé pendant environ 2 secondes pour allumer/éteindre l'éclairage à intensité variable.	- -
	Allume et éteint le moteur à la vitesse un. Fonction retardée : Appuyez sur ce bouton et tenez-le enfoncé pendant environ 3 secondes pour activer/désactiver la fonction retardée (désactivation automatique du moteur et de l'éclairage après un délai de 30 min). Ne peut être activée si la modalité Intensive est activée.	ACTIVÉ
	Allume le moteur à la vitesse deux. Alarme du filtre à charbon actif Appuyez sur ce bouton et tenez-le enfoncé pendant environ 5 secondes, lorsque tous les dispositifs sont éteints (moteur et éclairage), pour activer cette alarme. Le témoin DEL approprié clignote deux fois pour confirmer. Pour éteindre l'alarme, appuyez de nouveau sur le bouton et tenez-le enfoncé pendant au moins 5 secondes. Le témoin DEL approprié clignote une fois.	ACTIVÉ
	Allume le moteur à la vitesse trois. Alarme du filtre à graisse Pour réinitialiser l'alarme : appuyez sur ce bouton et tenez-le enfoncé pendant environ 3 secondes, lorsque tous les dispositifs de la hotte sont éteints (moteur et éclairage), jusqu'à ce que le témoin DEL S1 clignote trois fois.	ACTIVÉ
	Allume le moteur à la vitesse INTENSIVE. Cette vitesse est programmée pour fonctionner pendant 6 minutes. Après ce délai, le système retournera automatiquement à la vitesse sélectionnée précédemment. Si cette modalité est activée tandis que le moteur est éteint, la hotte s'éteindra après le délai.	ACTIVÉ
<b>S1</b>	L'alarme de saturation du filtre à graisse métallique signale qu'il est nécessaire de nettoyer les filtres. L'alarme s'active lorsque la hotte a été en fonction pendant 100 heures. Lorsqu'elle est activée : L'alarme de saturation du filtre à charbon actif signale que le filtre doit être changé; Les filtres à graisse métalliques doivent également être nettoyés. L'alarme de saturation du filtre à charbon actif s'active lorsque la hotte a été en fonction pendant 200 heures.	ACTIVÉ Clignotant.

## Information relative à la télécommande

### Installation de la pile

- La télécommande est alimentée par une pile 3 V de type CR2032 (n'est pas incluse).
- Retirez la vis et installez la pile.
- Assurez-vous que la pile est installée avec le symbole « + » vers le haut.



### Attention :

- Ne déposez pas la télécommande à proximité de sources de chaleur.
- Ne jetez pas les piles avec les déchets courants. Elles doivent être jetées dans des contenants particuliers.
- Assurez-vous que le compartiment de la pile est vissé à plat et est serré à fond.

### Panneau de télécommande

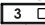


		Moteur allumé/éteint.
		-
		-
		Éclairage allumé/éteint.
		Appuyez pendant 2 secondes pour activer l'éclairage à intensité variable.
		Active/Désactive le fonctionnement intensif
		Pression courte : Active/Désactive la fonction retardée : s'éteint automatiquement après un délai de 30 minutes. L'écran affiche la vitesse de fonctionnement et le point en bas à droite clignote toutes les secondes.
		Augmente la vitesse à chaque pression
		Réduit la vitesse à chaque pression

### Nettoyage des filtres à graisse métalliques

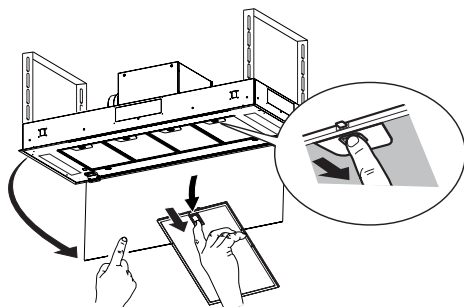
Ils peuvent être lavés dans le lave-vaisselle et doivent être nettoyés lorsque le témoin DEL **S1** s'allume ou au moins une fois tous les 2 mois d'usage, ou encore plus fréquemment en cas d'utilisation particulièrement intensive.

### Réinitialisation de l'alarme du filtre à graisse

- Éteignez l'éclairage et la hotte.
- Appuyez sur  et tenez-le enfoncé pendant au moins 3 secondes, jusqu'à ce que le témoin DEL clignote 3 fois pour confirmer.

### Nettoyage des filtres

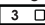
- Ouvrez le panneau.
- Retirez les filtres un à un, en les poussant vers l'arrière de l'appareil et en les tirant vers le bas simultanément.
- Lavez les filtres sans les plier et laissez-les sécher complètement avant de les remettre en place. (Si la surface du filtre change de couleur au fil du temps, cela n'aura aucun impact sur l'efficacité du filtre même.)
- Remettez les filtres à graisse en place, en vous assurant que leur poignée se trouve vers l'avant.
- Faites sécher complètement les filtres avant de les remettre en place. Autrement, des résidus de graisse pourraient chauffer et couler.
- Refermez le panneau.



### Remplacement du filtre à charbon actif

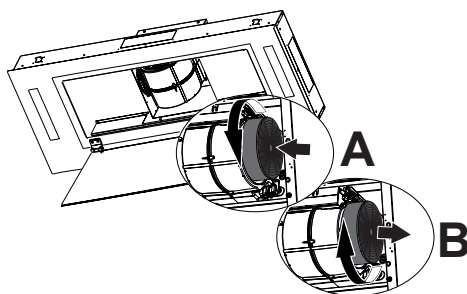
Ils ne peuvent être lavés ni régénérés, et doivent être changés lorsque le témoin DEL **S1** commence à clignoter, ou au moins une fois tous les 4 mois. S'il a été activé, le signal d'alarme apparaît uniquement lorsque le ventilateur de hotte est activé.

### Réinitialisation du signal d'alarme

- Éteignez l'éclairage et le ventilateur de hotte.
- Appuyez sur  et tenez-le enfoncé pendant au moins 3 secondes, jusqu'à ce que le témoin DEL clignote 3 fois pour confirmer.

### Nettoyage des filtres

- Ouvrez le panneau.
- Retirez le filtre à graisse métallique.
- Retirez les filtres à charbon actif saturés comme indiqué **(A)**.
- Posez les nouveaux filtres, comme indiqué **(B)**.
- Remettez en place les filtres à graisse métalliques.
- Refermez le panneau.



### **Nettoyage des surfaces extérieures**

#### **Nettoyage des surfaces extérieures :**

Veillez noter que l'utilisation de produits abrasifs ou solvants peut endommager la surface de la hotte; ils ne devraient pas être utilisés pour le nettoyage des surfaces.

#### **Instructions pour le nettoyage de l'acier inoxydable :**

Nettoyez les surfaces extérieures avec un agent nettoyant pour l'acier inoxydable disponible sur le marché.

#### **Instructions pour le nettoyage des surfaces peintes en gris :**

Les surfaces extérieures doivent être lavées à l'aide d'eau chaude savonneuse.

### **Éclairage**

- Les ampoules DEL doivent être remplacées par un service d'entretien autorisé Faber.



## GARANTIE LIMITÉE ET SERVICE FABER

Tous les produits Faber font l'objet d'une garantie contre les défauts de matériel et de main-d'œuvre, accordée à l'acheteur original pour une période d'un (1) an à compter de la date d'achat initiale (preuve d'achat requise). Cette garantie couvre les frais de main-d'œuvre et les pièces de rechange. À sa discrétion, Faber peut réparer ou remplacer le produit ou les composants nécessaires à remettre le produit en bon état de marche. Pour bénéficier de services prévus par la garantie, veuillez communiquer avec le détaillant auprès duquel vous avez acheté la hotte de cuisine, ou encore avec le distributeur Faber de votre région. Si vous n'êtes pas en mesure de localiser un distributeur Faber dans votre région, veuillez communiquer avec nous au 508-358-5353 pour connaître le nom d'un distributeur à proximité.

### Les éléments suivants ne sont pas visés par la garantie Faber :

1. Les appels au service de réparation visant à corriger l'installation de la hotte de cuisine, à recevoir des instructions sur l'utilisation de la hotte de cuisine, le remplacement ou la réparation des fusibles du domicile ou la correction des câblages ou de la plomberie du domicile.
2. Les appels au service de réparation visant à réparer ou remplacer les ampoules électriques de hotte, les fusibles ou les filtres. Ces pièces consommables ne sont pas couvertes par la garantie.
3. Les réparations si votre hotte de cuisine est employée à des fins autres que celles prévues, soit l'utilisation résidentielle normale pour une famille.
4. Les dommages découlant d'un accident, d'une modification, de l'utilisation incorrecte ou abusive, d'un incendie, d'une inondation, d'un cas de force majeure, d'une installation inadéquate, d'une installation non conforme aux codes en matière d'électricité ou de plomberie ou à la documentation fournie par Faber, ou encore d'une utilisation du produit non approuvée par Faber.
5. Les frais de main-d'œuvre ou de remplacement des pièces pour les appareils utilisés à l'extérieur des États-Unis ou du Canada, y compris toutes les hottes de cuisine Faber non-UL ou C-UL homologuées.
6. Les réparations à la hotte découlant de modifications non autorisées apportées à la hotte de cuisine.
7. Les frais encourus pour les déplacements et le transport de produits en région éloignée et les frais de cueillette et livraison. La réparation des hottes de cuisine Faber doit être réalisée à domicile.

LA PRÉSENTE GARANTIE NE PRÉVOIT AUCUNE FORME DE DÉDOMMAGEMENT EN CAS DE DOMMAGES ACCESSOIRES OU CONSÉCUTIFS, Y COMPRIS, SANS TOUTEFOIS S'Y LIMITER, LES DOMMAGES DIRECTS, INDIRECTS, ACCESSOIRES, PARTICULIERS OU CONSÉCUTIFS, LES LÉSIONS CORPORELLES/MORTELLES OU LA PERTE DE PROFITS. LA GARANTIE OFFERTE PAR FABER EST LIMITÉE AUX CONDITIONS ÉNONCÉES CI-DESSUS ET À LA PÉRIODE DE GARANTIE INDIQUÉE DANS LES PRÉSENTES ET EST EXCLUSIVE. SAUF DISPOSITIONS EXPRESSES CONTRAIRES DANS LE PRÉSENT ACCORD, FABER DÉCLINE TOUTE CONDITION, REPRÉSENTATION OU GARANTIE EXPLICITE OU IMPLICITE, Y COMPRIS, SANS TOUTEFOIS S'Y LIMITER, TOUTE GARANTIE IMPLICITE DE QUALITÉ MARCHANDE OU D'ADAPTATION À UN USAGE PARTICULIER.

Les droits qui vous sont conférés en vertu de la présente garantie peuvent varier d'une province ou d'un État à l'autre.

N° de modèle : \_\_\_\_\_

N° de série : \_\_\_\_\_



# Contenido

---

<b>Instrucciones Importantes de seguridad</b>	<b>68</b>
<b>Dimensiones de la campana extractora</b>	<b>71</b>
<b>Requisitos de altura de instalación</b>	<b>71</b>
<b>Partes principales</b>	<b>72</b>
<b>Kits de campanas combinadas y motores</b>	<b>74</b>
<b>Elija su método de conducción</b>	<b>75</b>
<b>Preparación del cableado</b>	<b>76</b>
<b>Preparación de la instalación de la campana de techo</b>	<b>77</b>
<b>Información de instalación</b>	<b>78</b>
<b>Instalación del soplador interno</b>	<b>79</b>
<b>Instalación del soplador externo</b>	<b>81</b>
<b>Instalación del cuerpo de la campana extractora</b>	<b>83</b>
<b>Conecte el conducto</b>	<b>89</b>
<b>Conexión de la caja de cableado 2 (Solo cableado del soplador remoto)</b>	<b>91</b>
<b>Conexión de la caja de cableado doméstica</b>	<b>92</b>
<b>Información de uso y cuidado</b>	<b>93</b>
<b>Diagrama de cableado</b>	<b>97</b>

# INSTRUCCIONES IMPORTANTES DE SEGURIDAD

## LEA Y GUARDE ESTAS INSTRUCCIONES ANTES DE COMENZAR A INSTALAR ESTA CAMPANA EXTRACTORA

**ATENCIÓN:** - PARA REDUCIR EL RIESGO DE INCENDIO DE GRASA:

- a) Nunca deje las unidades de superficie desatendidas en ajustes altos. Las ebulliciones causan humo y derrames grasientos que pueden encenderse. Caliente los aceites lentamente en ajustes bajos o medios.
- b) Siempre encienda la campana cuando cocine a fuego alto o cuando flamee alimentos (por ej. Crepes Suzette, Cherries Jubilee, Peppercorn Beef Flambé).
- c) Limpie los sopladores con frecuencia. No se debe permitir que la grasa se acumule en el soplador o filtro.
- d) Use un tamaño de olla adecuado. Siempre use utensilios de cocina apropiados para el tamaño del elemento de superficie.

**ADVERTENCIA:** - PARA REDUCIR EL RIESGO DE LESIONES A PERSONAS EN CASO DE INCENDIO DE GRASA, TENGA CUENTA LO SIGUIENTE\*:

- a) APAGUE LAS LLAMAS con una tapa ajustada, bandeja para hornear galletas o bandeja de metal, luego apague el quemador. TENGA CUIDADO PARA EVITAR QUEMADURAS. Si las llamas no se apagan de inmediato, EVACUE Y LLAME AL DEPARTAMENTO DE BOMBEROS.
- b) NUNCA RECOJA UNA OLLA EN LLAMAS - Puede quemarse.
- c) NO USE AGUA, incluidos paños de cocina húmedos o toallas; se producirá una violenta explosión de vapor.
- d) Use un extintor SOLAMENTE si:
  1. Usted sabe que tiene un extintor Clase ABC y ya sabe cómo operarlo.
  2. El fuego es pequeño y está contenido en el área donde comenzó.
  3. Llame al departamento de bomberos.
  4. Puede luchar contra el fuego con su espalda hacia una salida.

\* Basado en "Kitchen Firesafety Tips" publicado por NFPA

**ADVERTENCIA - PARA REDUCIR EL RIESGO DE DESCARGA ELÉCTRICA O INCENDIO,** no use este soplador con ningún dispositivo de control de velocidad de estado.

**ADVERTENCIA - PARA REDUCIR EL RIESGO DE INCENDIOS, DESCARGAS ELÉCTRICAS O LESIONES PERSONALES, OBSERVE LO SIGUIENTE:**

1. Use esta unidad solo de la manera prevista por el fabricante. Si tiene alguna pregunta, comuníquese con el fabricante.
2. Antes de reparar o limpiar la unidad, apague el equipo en el panel de servicio y bloquee los medios de desconexión del servicio para evitar que la energía se encienda accidentalmente. Cuando los medios de desconexión del servicio no se puedan bloquear, fije de forma segura un dispositivo de advertencia prominente, como una etiqueta, al panel de servicio.

**PRECAUCIÓN:** Para uso general de ventilación solamente. No lo use para expulsar materiales y vapores peligrosos o explosivos.

**ADVERTENCIA - PARA REDUCIR EL RIESGO DE INCENDIOS, DESCARGAS ELÉCTRICAS O LESIONES PERSONALES, OBSERVE LO SIGUIENTE:**

1. El trabajo de instalación y el cableado eléctrico deben realizarlo las personas calificadas de acuerdo con todos los códigos y estándares aplicables, incluida la construcción con clasificación de incendio.
2. Se necesita suficiente aire para la combustión adecuada y el escape de gases a través del tubo de humos (chimenea) del equipo que quema combustible para evitar la retrogresión. Siga las directrices del fabricante del equipo de calefacción y las normas de seguridad tales como los publicados por la National Fire Protection Association (NFPA), la American Society for Heating, Refrigeration and Air Conditioning Engineers (ASHRAE) y las autoridades de los códigos locales.
3. Al cortar o perforar la pared o el techo, no dañe el cableado eléctrico ni otros servicios ocultos.
4. Los sopladores con conductos siempre deben tener salida al exterior.

## TODAS LAS ABERTURAS DE LA PARED Y EL PISO DONDE ESTÁ INSTALADA LA CAMPANA EXTRACTORA SE DEBEN SELLAR.

**Esta campana extractora requiere al menos 35" de espacio libre** entre la parte inferior de la campana y la superficie de cocción o encimera. Esta campana ha sido aprobada por UL a esta distancia de la placa.

Consulte las instrucciones de instalación de la placa o la campana proporcionadas por el fabricante antes de hacer cualquier corte. **INSTALACIÓN EN CASA MÓVIL** La instalación de esta campana extractora debe cumplir con las Normas de seguridad y construcción de viviendas prefabricadas, Título 24 CFR, Parte 3280 (anteriormente Norma federal para construcción y seguridad de casas móviles, Título 24, HUD, Parte 280).

**Atención:** Esta campana ha sido diseñada para minimizar la interferencia electromagnética (EMI) que se origina en la fuente de alimentación doméstica del consumidor. Sin embargo, en algunas aplicaciones domésticas, la EMI ambiental y la EMI excesiva de otras fuentes electrónicas pueden afectar la fiabilidad del mando a distancia.

Hable con su distribuidor Faber acerca de una pieza de repuesto opcional para reducir aún más la EMI de fuentes domésticas.

### REQUISITOS DE VENTILACIÓN

Determine qué método de ventilación es mejor para su aplicación. Los conductos pueden extenderse a través de la pared o el techo.

La longitud de los conductos y la cantidad de codos se deben mantener al mínimo para proporcionar un rendimiento eficiente. El tamaño de los conductos debe ser uniforme. No instales dos codos juntos. Use cinta adhesiva para sellar todas las juntas en el sistema de conductos. Use masilla para sellar la pared exterior o la abertura del espacio del techo alrededor de la tapa.

**No se recomiendan conductos flexibles. Los conductos flexibles crean una contrapresión y turbulencias de aire que reducen en gran medida el rendimiento.**

Asegúrese de que haya espacio libre adecuado dentro de las paredes y espacio en el piso para el conducto de escape antes de hacer los cortes. No corte una vigueta o poste a menos que sea absolutamente necesario. Si se debe cortar una vigueta o poste, entonces se debe construir un marco de soporte.

**ADVERTENCIA - Para reducir el riesgo de incendio, use solamente conductos de metal.**

**PRECAUCIÓN - Para reducir el riesgo de incendio y para descargar adecuadamente el aire, asegúrese de sacar el aire - No expulse los humos en espacios dentro de paredes o techos, áticos, espacios angostos o garajes.**

### Instalaciones para clima frío

Se debe instalar un registro de retrogresión para minimizar el flujo de aire frío hacia atrás y se debe instalar un interruptor térmico no metálico para minimizar la conducción de temperaturas externas como parte del sistema de ventilación. El registro debe estar en el lado del aire frío del interruptor térmico. El interruptor debe estar lo más cerca posible de donde el sistema de ventilación ingrese a la parte calentada de la casa.



## ADVERTENCIA

- El sistema de ventilación **DEBE** terminar fuera del hogar.
- **NO** termine el conducto en un espacio ático o en otro espacio cerrado.
- **NO** use tapones de pared de 4" tipo lavadero.
- No se recomiendan conductos flexibles.
- **NO** obstruya el flujo del aire de combustión y ventilación.
- El incumplimiento de los requisitos de ventilación puede provocar un incendio.

## REQUISITOS ELÉCTRICOS

Se requiere un suministro eléctrico de 120 voltios, 60 Hz solo CA en un circuito separado con fusible de 15 amperios. Se recomienda un fusible de retardo o un cortacircuitos. El fusible se debe dimensionar según los códigos locales de acuerdo con la clasificación eléctrica de esta unidad, tal como se especifica en la placa de número de serie/clasificación ubicada dentro de la unidad, cerca del compartimento de cableado de campo.

## INSTALACIÓN ELÉCTRICA CON CAJA DE CABLEADO

ESTA UNIDAD DEBE CONECTARSE CON CABLE DE COBRE SOLAMENTE. Los tamaños de los cables deben cumplir con los requisitos del Código Eléctrico Nacional, ANSI / NFPA 70, última edición, y todos los códigos y ordenanzas locales. El tamaño del cable y las conexiones deben cumplir con la clasificación del equipo. Se pueden obtener copias de la norma enumerada anteriormente en:

National Fire Protection Association  
Batterymarch Park  
Quincy, Massachusetts 02269

Este electrodoméstico debe conectarse directamente a la desconexión por fusible (o disyuntor) a través de un cable flexible, blindado o no metálico de cobre enfundado. Deje algo de tensión en el cable para poder mover el dispositivo si alguna vez lo necesita. Debe haber un conector de conducto de 1/2 homologado por UL en cada extremo del cable de suministro de energía (en el equipo y en la caja de conexiones).

Al hacer la conexión eléctrica, corte un agujero de 1 1/4 ". Un agujero cortado a través de la madera debe lijarse hasta que quede liso. Un agujero a través del metal debe tener un ojal.



## ADVERTENCIA

- Esta campana extractora requiere conexión eléctrica de tierra.
- Si la tubería de agua fría está interrumpida por juntas de plástico, de materiales no metálicos u otros materiales, NO la utilice para conexión a tierra.
- NO conecte a tierra a una tubería de gas.
- NO tenga un fusible en el circuito neutro o de tierra. Un fusible en el circuito neutro o de tierra podría provocar una descarga eléctrica.
- Consulte con un electricista calificado si tiene dudas acerca de si la campana extractora está correctamente conectada a tierra.
- El incumplimiento de los requisitos eléctricos puede provocar un incendio.

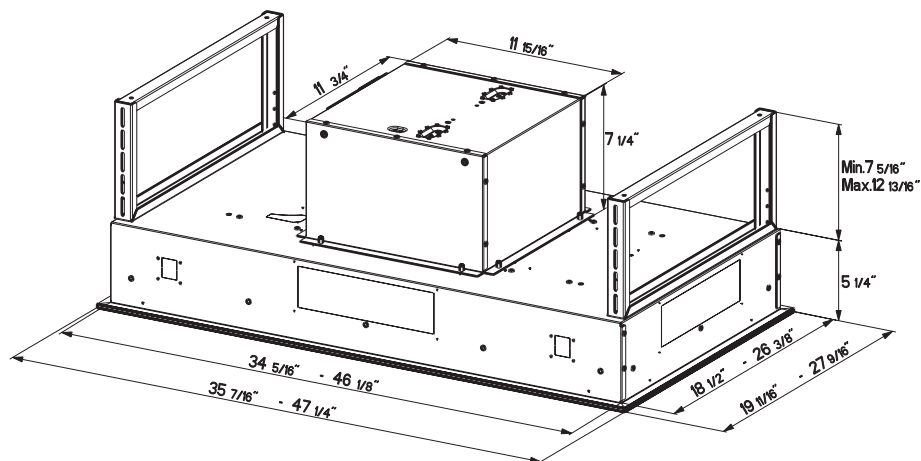
### Advertencia de la Propuesta 65 del Estado de California (solo EE. UU.)

#### ADVERTENCIA

Este producto contiene sustancias químicas que el Estado de California considera que causan cáncer y defectos de nacimiento u otros daños reproductivos.

Para obtener más información, vaya a [www.P65Warnings.ca.gov](http://www.P65Warnings.ca.gov)

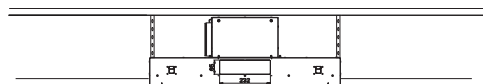
# DIMENSIONES DE LA CAMPANA EXTRACTORA



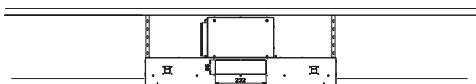
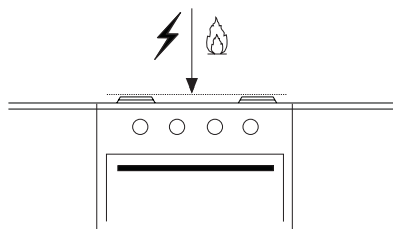
## REQUISITOS DE ALTURA DE INSTALACIÓN

Se recomienda una altura de montaje de 60" por encima de la superficie de cocción para obtener el mejor rendimiento, pero se puede montar a una distancia máxima de 72" de la superficie de cocción.

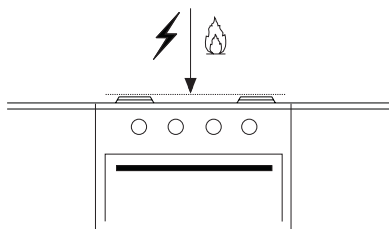
Se debe realizar un punto de acceso a la campana desde el techo o soffito para la instalación y el futuro acceso a la campana extractora.







**MÍN. 35" SOBRE ELÉCTRICO / GAS**

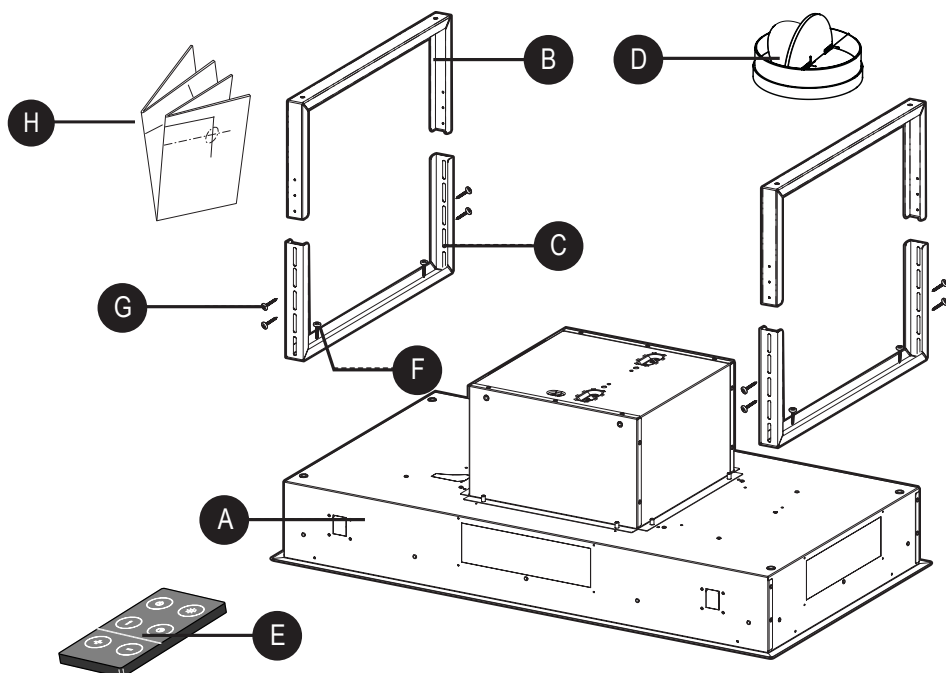


**MÁX. 72" SOBRE ELÉCTRICO / GAS**






## PARTES PRINCIPALES

REF.	PIEZA	CDAD.
<b>A</b>	Cuerpo de la campana, completo de: Controles, Luces, Filtros.	1
<b>B</b>	Soporte de montaje superior	2
<b>C</b>	Soporte de montaje inferior	2
<b>D</b>	Amortiguador $\varnothing$ 6"	1
<b>E</b>	Mando remoto	1
<b>H</b>	Plantilla de perforación	1
REF	PIEZA	CDAD.
<b>F</b>	Pernos Torx (1/4" x 9/16")  	4
<b>G</b>	Tornillos Pozi (1/8" x 3/8")  	8



## PIEZAS NECESARIAS

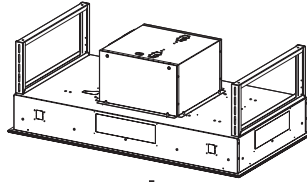
PIEZA	
Conducto metálico redondo de 6"	
Conectores de cable.	
Tacos para cartón yeso u otros sujetadores de pared adecuados basados en su instalación.	

## ACCESORIOS DISPONIBLES

ACCESORIO	SKU#
Kit de accesorios para filtro de carbón activado	<b>#FILTER1</b>
Kit de filtro de carbón activado lavable de larga duración	<b>#FILTER1LL</b>
Soplador interno 600 PRO IB600	<b>#IB600 kit</b>
Soplador interno 400 IB400	<b>#IB400 kit</b>
Soplador interno 300 IB300	<b>#IB300 kit</b>
Soplador remoto 900 RB900 (brida de 10" incluida)	<b>#RB900 kit</b>
Soplador remoto 1200 RB1200 (brida de 10" incluida)	<b>#RB1200 kit</b>
Brida de 10" para soplador en línea	<b>#BRIDA10</b>

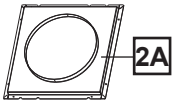
**PRECAUCIÓN** - Para reducir el riesgo de incendio y descarga eléctrica, instale esta campana extractora sólo con los modelos de sopladores remotos kit RB900 o kit RB1200 fabricados por Faber o sopladores integrales fabricados por Faber, modelo (s) kit IB600, kit IB400, kit IB300 o sopladores remotos genéricos con un máximo de 2,7A calificados para el uso con control de velocidad de estado sólido.

# KITS DE CAMPANAS COMBINADAS Y MOTORES



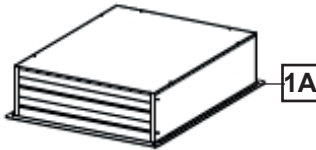
**BRIDA10**  
(Soplador  
en línea)

Mantenga la  
brida de 10"



**Kit RB900 y kit RB1200**  
(soplador remoto)

Mantener      Soplador



Mantenga la brida de 10"

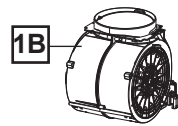


Deseche la brida de 10"  
con caja de conexiones

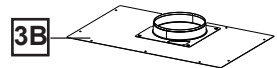


**Kit IB600, kit IB400,**  
**kit IB300**  
(soplador interno)

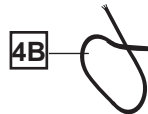
Mantener      Soplador



Deseche la brida de 6"



Deseche el cable de alambre

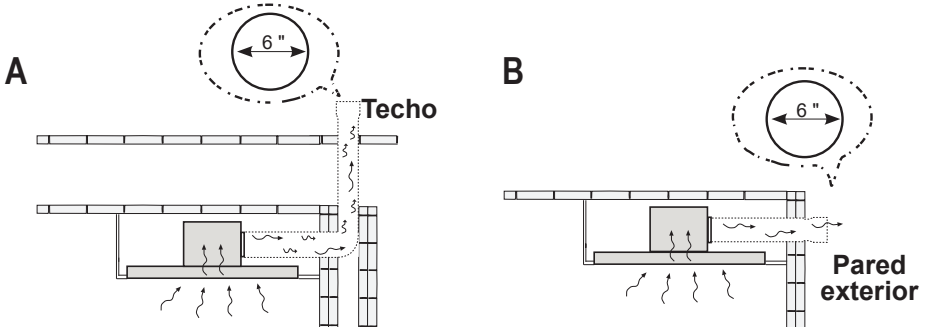




# ELIJA SU MÉTODO DE CONDUCCIÓN

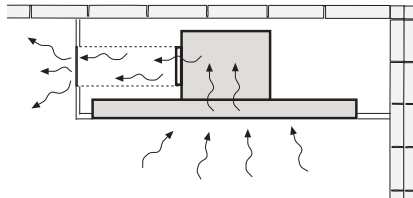
## Opciones de ventilación por conductos

**Precaución:** Si se requiere un codo, hágalo lo más lejos posible de la abertura de escape de la campana



## Sin conducto - Opciones de recirculación

Accesorio de filtro de carbón activado requerido FILTER1 o FILTER1LL (se compran por separado). La cubierta de registro para la salida del conducto de aire se muestra para el diseño, no se incluye.



Se sugiere la cubierta del registro para la salida del conducto de aire.

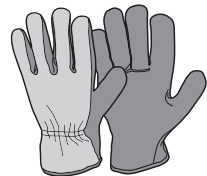
**Atención:** Cuando se usa en el modo de recirculación, para reducir el riesgo de incendio y descarga eléctrica, utilice únicamente el kit de conversión Modelo FILTER 1 o FILTER1LL.

Se requieren dos hombres para la instalación

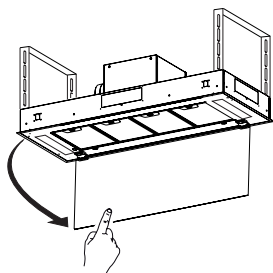


**OK!**

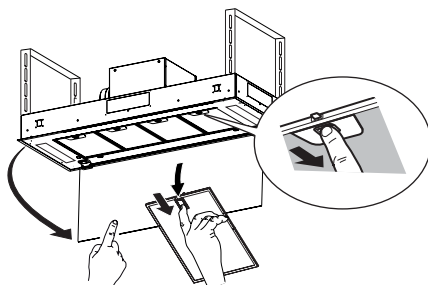
Use guantes de trabajo por seguridad



- 1** Abra el panel de cubierta del filtro. El panel de la cubierta del filtro se sujeta mediante un imán, se tira hacia abajo con suficiente fuerza para liberarlo, como se muestra a continuación.



- 2** Retire los filtros de a uno por vez, empujándolos hacia la parte posterior de la unidad y al mismo tiempo tirándolos hacia abajo y apartándolos.

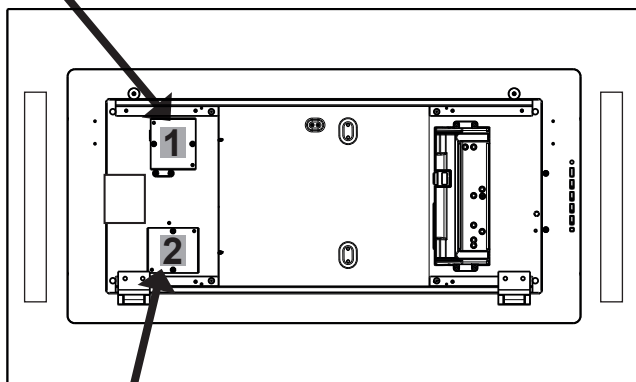


## PREPARACIÓN DEL CABLEADO

Elija el método de cableado según el tipo de soplador

Caja de cableado de la fuente de alimentación doméstica 1 y caja de cableado del soplador remoto 2

**CAJA DE CABLEADO 1**  
para conectar el cable de  
la fuente de alimentación  
doméstica con la  
campana.

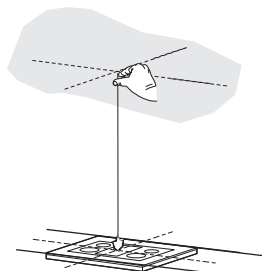


**CAJA DE CABLEADO 2**  
para conectar el soplador  
externo con la campana.

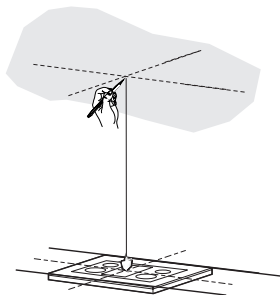
# PREPARACIÓN DE LA INSTALACIÓN DE LA CAMPANA DE TECHO

No haga recortes hasta que haya decidido si esta instalación se realizará con o sin conducto, y se haya preparado el cableado en base al tipo de soplador.

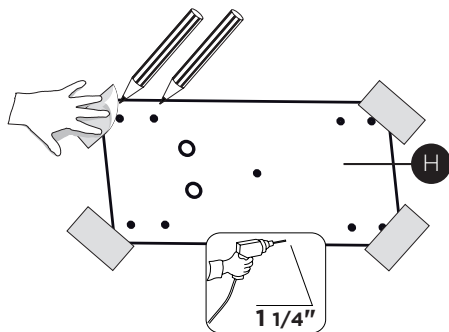
- 3** Use una línea de plomada para marcar el centro de la campana en el techo.



- 4** Marque los centros.



- 5**
- Para todas las instalaciones, se debe crear un punto de acceso a la campana para la instalación y el mantenimiento futuro de la campana.
  - Coloque una cubierta gruesa y protectora sobre la encimera para protegerla de daños o suciedad.
  - Use la plantilla de montaje en el techo para determinar la ubicación de los tornillos de montaje en el techo.
  - Marque el centro de los agujeros en la plantilla del techo.
  - Determine y haga los cortes necesarios para el conducto.
  - Instale el conducto antes de montar la campana.
  - Determine la ubicación correcta del cable de suministro de energía como se indica en la plantilla.
  - Use una broca de 1 1/4" para hacer este agujero.
  - Pase el cable de suministro de energía. Use masilla para sellar alrededor del agujero.
  - Un punto de salida para pasar cables a través de la fuente de alimentación desde el techo se encuentra en la parte superior de la campana extractora.
  - No conecte el cable de alimentación a la caja de cableado ni encienda la campana en este momento.
  - Pase suficiente cable de alimentación desde el techo para alcanzar la caja de cableado de la campana.

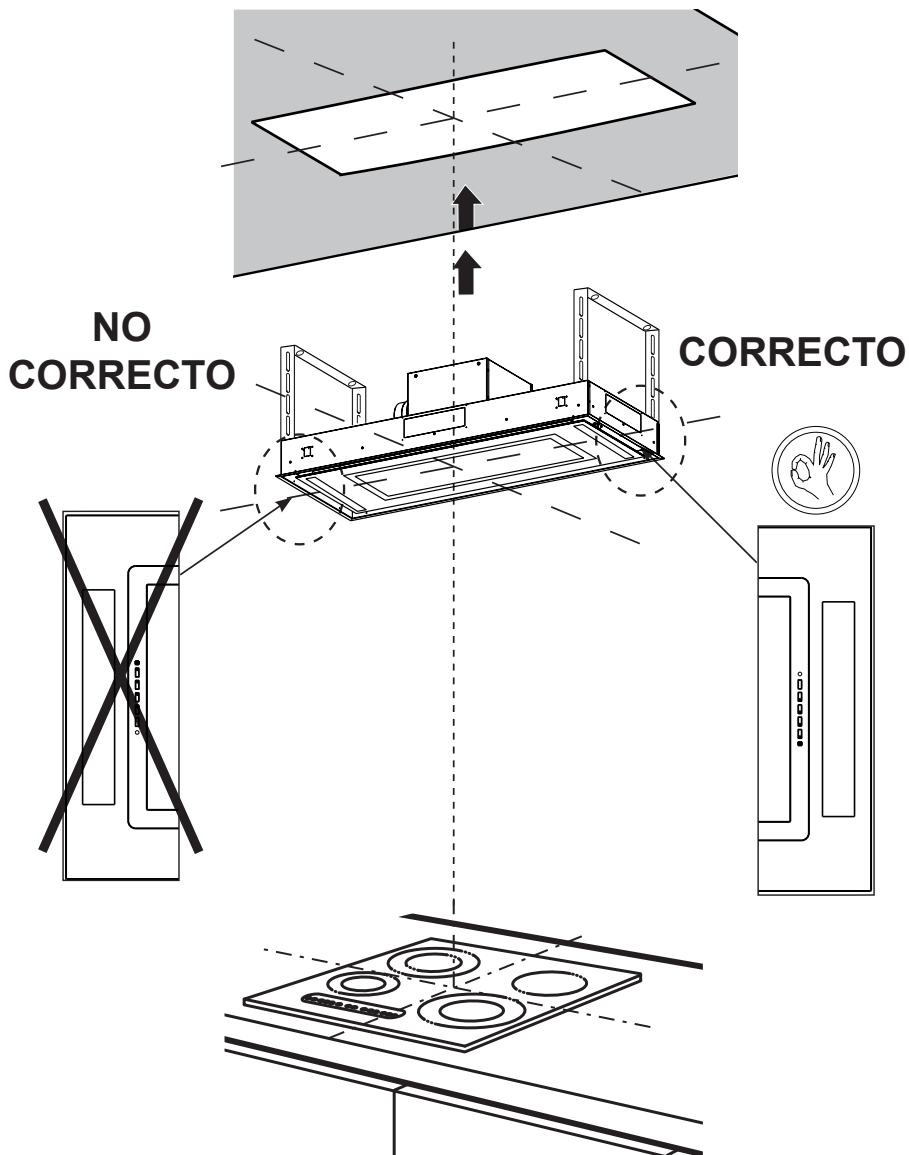


## ! ADVERTENCIA

DEBIDO AL TAMAÑO Y AL PESO DE ESTA CAMPANA EXTRACTORA, EL SOPORTE DEBE ESTAR FIRMEMENTE FIJADO AL TECHO. Para techos de yeso o cartón yeso, el soporte debe estar sujeto a las vigas. Si esto no es posible, se debe construir una estructura de soporte detrás del yeso o el cartón yeso. El fabricante no asume ninguna responsabilidad por lesiones o daños causados por instalaciones inadecuadas.

# INFORMACIÓN DE INSTALACIÓN

En preparación para la instalación de la campana, oriente la campana con el panel de control a la derecha como se muestra a continuación

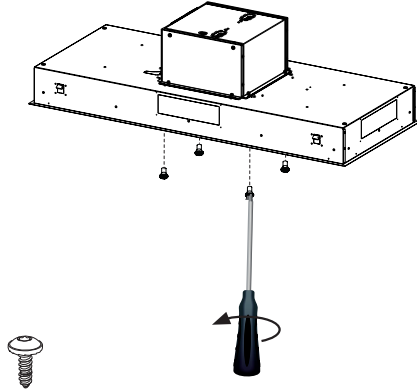


# INSTALACIÓN DEL SOPLADOR INTERNO

Si utiliza el kit de soplador interno, el kit IB600 o el kit IB400 o el kit IB300, deseche la brida (3B) y el cable (4B), suministrados con el kit de soplador interno, que se muestran en la página 10 y use solo una brida de 10".

## Separe la caja y la campana extractora

- 1** Desenrosque los 4 tornillos para desmontar la Caja para el soplador.

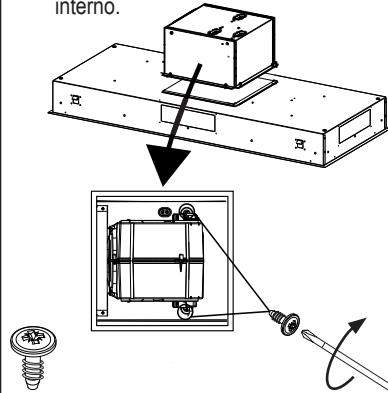


Destornillador Torx



## Fije el soplador interno

- 2** Coloque el soplador interno como se muestra en la caja del soplador que se ha retirado. Fije el soplador interno en la caja del soplador con los dos tornillos provistos con el soplador interno.



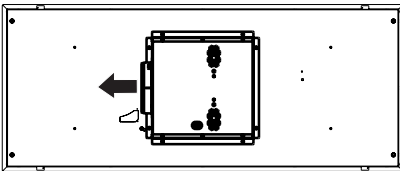
Destornillador Phillips



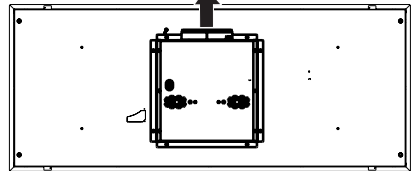
## Elija la posición de la caja (izquierda-derecha-atrás-frente)

- 3** El soplador se puede colocar en cuatro direcciones de ventilación diferentes, como se muestra. Gire la caja con el soplador en la posición correcta.

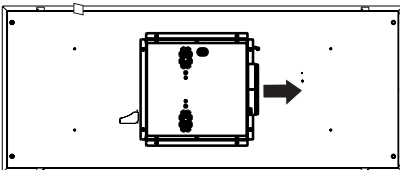
Izquierda



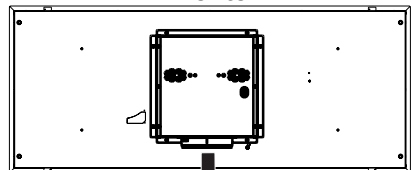
Atrás



Derecha



Frente



## Conecte el cable eléctrico

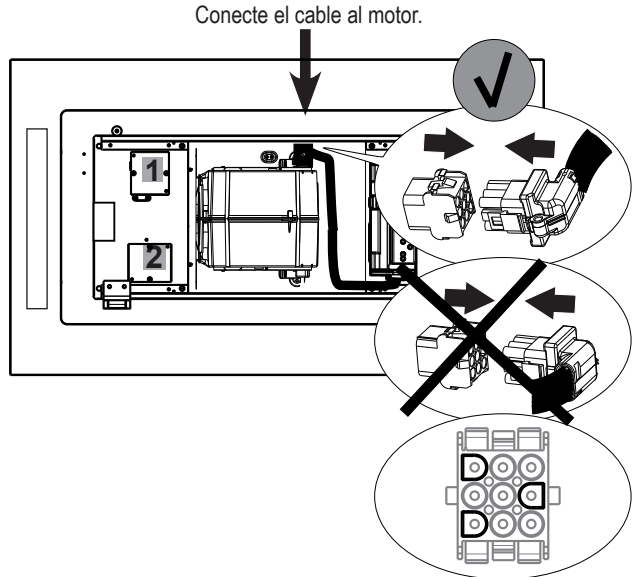
# 4

Después de que el soplador esté montado en la campana, conecte el arnés con molex proveniente de la caja de control, en el soplador.

**IMPORTANTE:** No use el arnés que viene con su kit de soplador interno (kit IB600, kit IB400, kit IB300).

**IMPORTANTE:** No conecte el cable de control a la caja de cableado 1 ni a la caja de cableado 2 para la instalación del soplador interno.

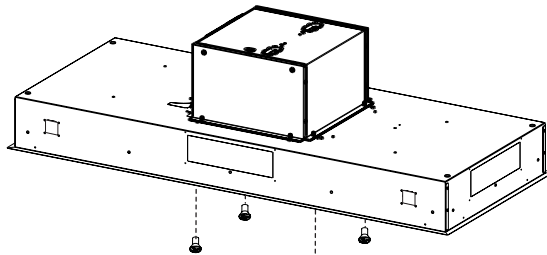
**IMPORTANTE:** NO use la caja de cableado 2 para la instalación de un soplador interno.



## Fije la caja del motor a la campana extractora

# 5

Fije la caja con el soplador con los mismos 4 tornillos retirados previamente.



Destornillador Torx

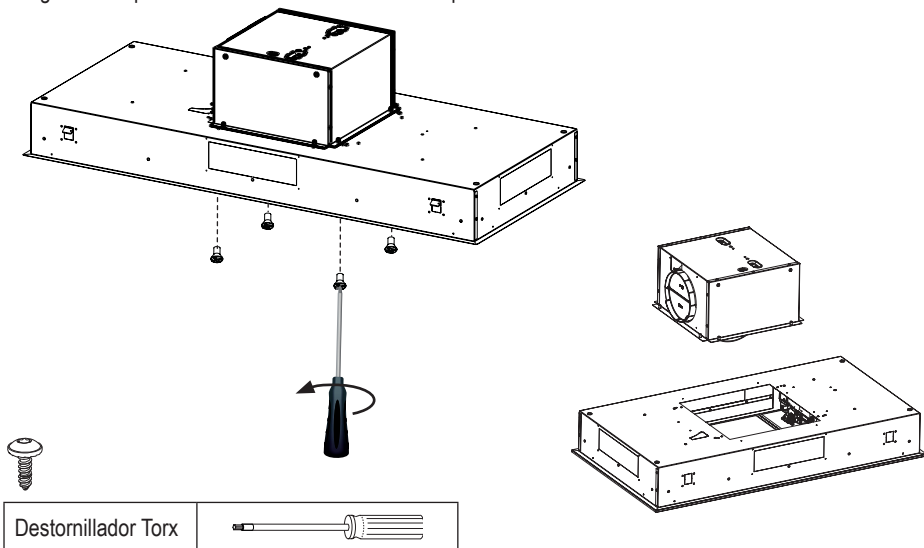


# INSTALACIÓN DEL SOPLADOR EXTERNO

Si utiliza el kit de soplador remoto, el kit RB900 o el kit RB1200 o la opción de soplador en línea, deseche la brida (3A) suministrada con el kit de soplador remoto, que se muestra en la página 10.

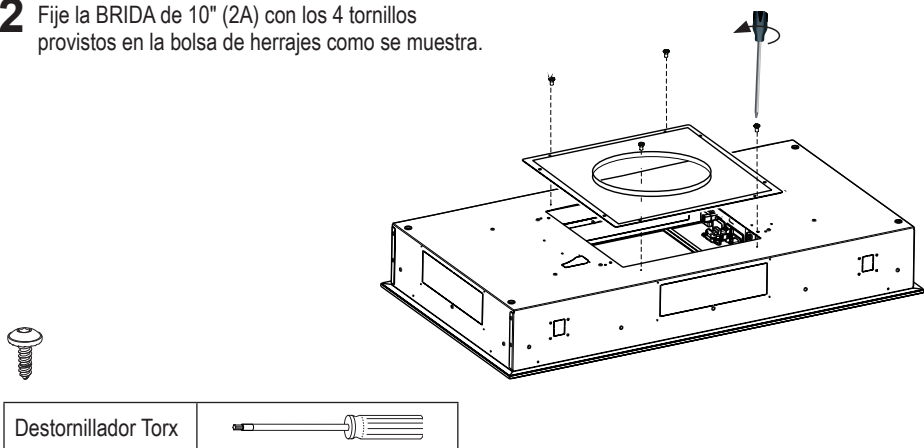
## Separe la caja de la campana extractora

- 1** Afloje los 4 tornillos para desmontar la caja del soplador del cuerpo de la campana y guardare los tornillos.  
La caja del soplador no se usa para la instalación del soplador remoto y puede descartarse o guardarse para uso futuro si se convierte en soplador interno.



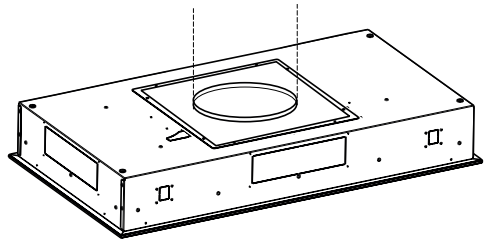
## Fije la BRIDA opcional de 10" (2A)

- 2** Fije la BRIDA de 10" (2A) con los 4 tornillos provistos en la bolsa de herrajes como se muestra.



### Conectarse a la salida de aire

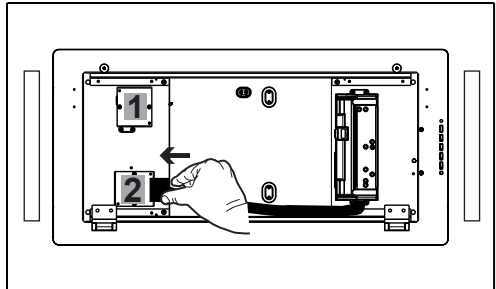
- 3** Conecte la salida de aire del cuerpo de la campana con la salida de aire del soplador remoto.



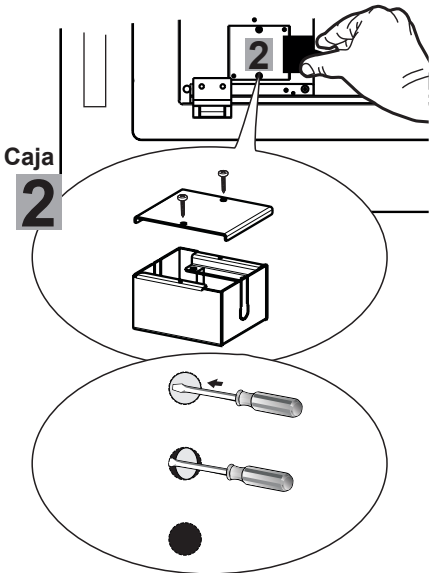
### Conexión a la caja 2 (caja de cableado del soplador remoto)

**4**

1. Desde el interior de la campana, conecte el cable a la caja de cableado 2 como se muestra en la imagen de la derecha.



2. Desde el interior de la campana, retire la cubierta de la caja de cableado 2 quitando dos tornillos.





# INSTALACIÓN DEL CUERPO DE LA CAMPANA EXTRACTORA

Elija el método correcto de instalación del soporte

## Opción A

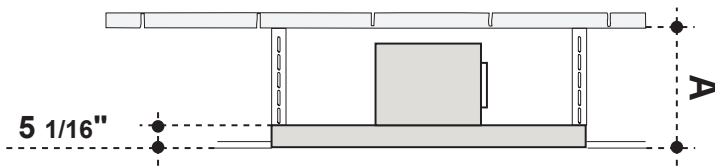
Los pasos 7a-7b-7c son una opción para el montaje y la campana cuando el acceso está disponible desde el techo/sofite (consulte la página 20).

## Opción B

Los pasos 8a-8b-8c son una opción para montar la campana en los soportes cuando no hay acceso disponible desde arriba y el sofite ya está completado (consulte la página 22).

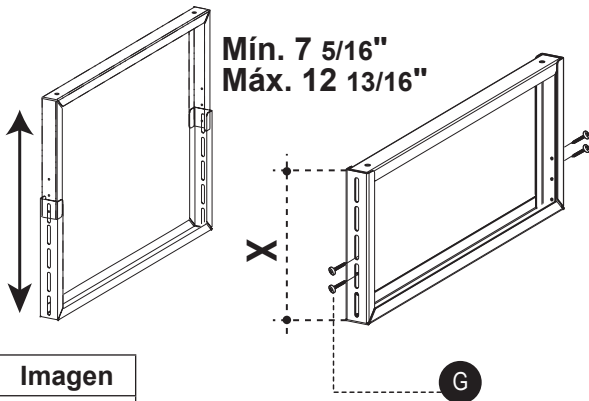
Ensamble los soportes de montaje de la campana extractora


6



$$X = A - 5 \frac{1}{16}''$$

Como se muestra, debe adaptar la altura del cuerpo de la campana en su espacio por encima de la cabeza. Después de determinar la altura del soporte, use los 8 tornillos de la página 8 de componentes para ensamblar los soportes.



Ref.	Tamaño	Imagen
G	1/8" x 3/8"	

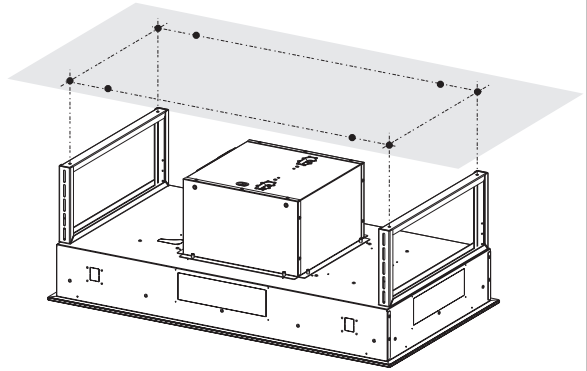
## OPCIÓN A - INSTALACIÓN DE LA CAMPANA ANTES DE COMPLETAR EL SOFITO

Use esta instalación si tiene acceso desde arriba para instalar la campana extractora

### Marca de techo

## 7.a

Vea a continuación una imagen detallada para taladrar los agujeros en la superficie de fijación (dentro del techo o sofito) que luego se usará para montar los accesorios del soporte. Los sujetadores utilizados deben ser compatibles con el agujero de 5/16" y se adquieren por separado.

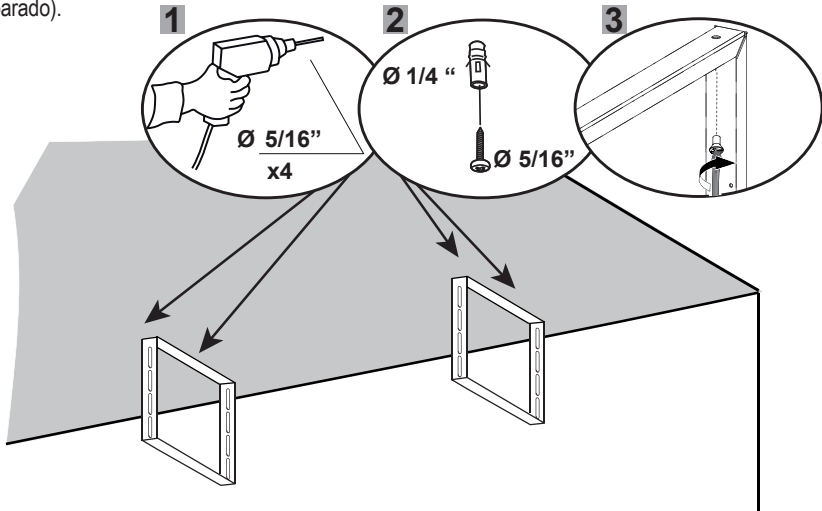


### Instalación de soporte en el techo

## 7.b

Use los agujeros de plantilla más alejados de la línea central para la ubicación de los sujetadores de techo (se compran por separado).

Use enchufes de pared u otro accesorio de sujeción en conjunción con los sujetadores de techo (se compran por separado).



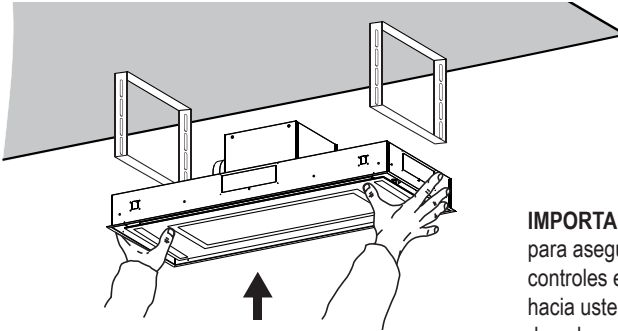
- (1) Use una broca de 5/16" para hacer este agujero.
- (2) Use tacos de pared si es apropiado u otros herrajes de sujeción en conjunción con los sujetadores de techo (se compran por separado).
- (3) Use los tornillos apropiados u otro accesorio de fijación junto con los sujetadores de techo (se compran por separado) para fijar los soportes.

## Fije la campana extractora en el soporte

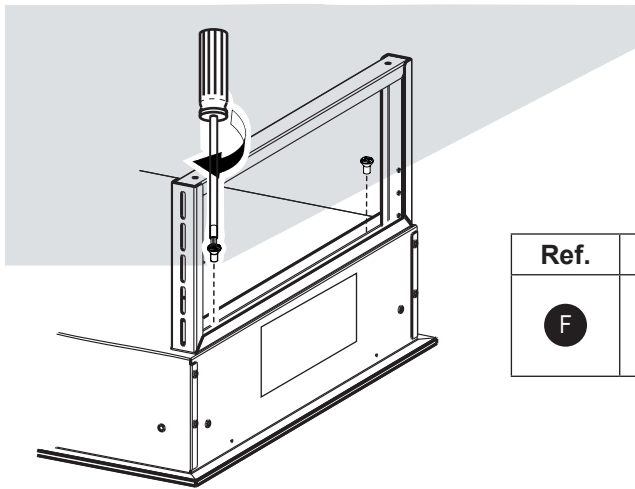
### 7.c

Fije el cuerpo de la campana a los soportes de techo de la campana utilizando los 4 tornillos **F** de la lista de componentes en la Página 6 para fijar el cuerpo de la campana a los soportes de techo de la campana.

Se necesita acceso en el espacio de arriba. Deje un punto de acceso en el soffito para acceder en el futuro a la campana extractora.



**IMPORTANTE:** Compruebe para asegurarse de que los controles estén orientados hacia usted y hacia la derecha.



Ref.	Tamaño	Imagen
<b>F</b>	1/4" x 9/16"	

## OPCIÓN B - INSTALACIÓN DE LA CAMPANA DESPUÉS DE COMPLETAR EL SOFITO

Use esta instalación si no tiene acceso desde arriba para instalar la campana extractora

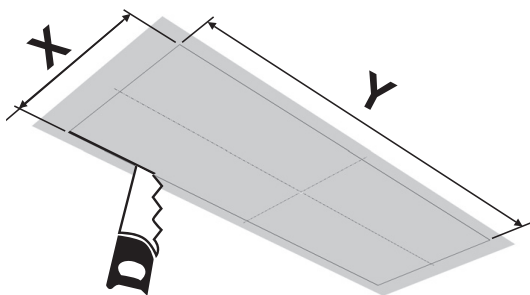
### Importante:

- Pasos **8a-8b-8c-8d** es la opción para montar la campana en los soportes cuando el acceso al techo/sofito NO está disponible desde arriba.
- Los soportes se montan primero en el sofito del techo y la campana se monta en los soportes desde el lateral de la campana.

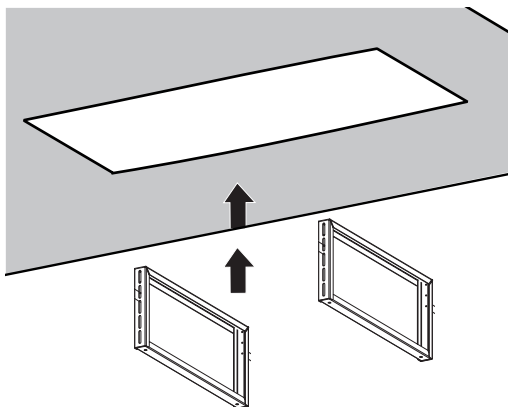
### Recorte para Techo / Sofito

## 8.a

Vea la imagen con las dimensiones para el recorte del techo.



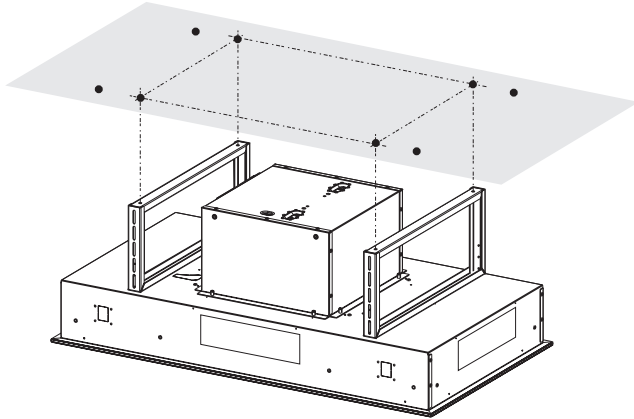
Campana	X	Y
36"	18 11/16"	34 9/16"
48"	26 9/16"	46 3/8"



## Instalación de soporte de techo para soffito

### 8.b

Vea a continuación una imagen detallada para taladrar los agujeros en la superficie de fijación (dentro del techo o soffito) que luego se usará para montar los accesorios del soporte. Los sujetadores utilizados deben ser compatibles con el agujero de 5/16" y se adquieren por separado.

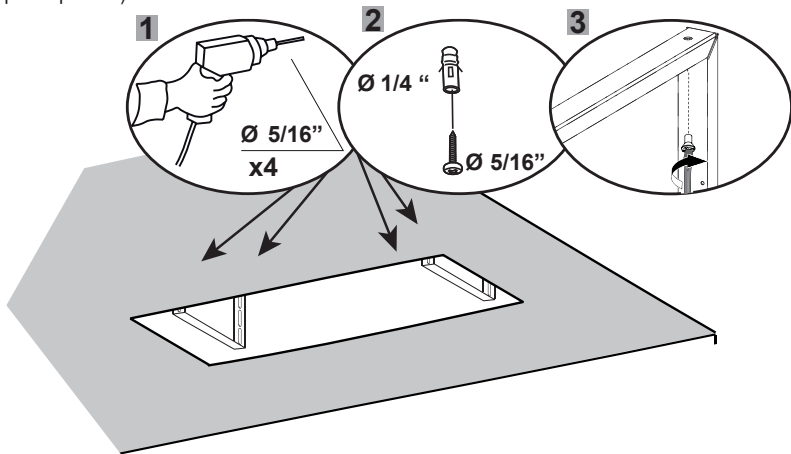


## Instalación de soporte en el techo

### 8.c

Use los agujeros indicados en la plantilla que están más cerca de la línea central para los sujetadores de techo (se compran por separado).

Use enchufes de pared u otro accesorio de sujeción en conjunción con los sujetadores de techo (se compran por separado).

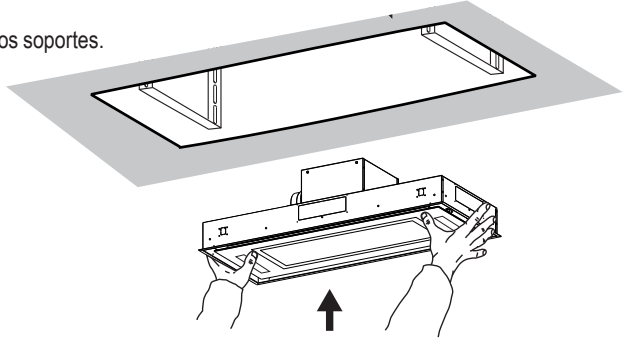


- (1) Use una broca de 5/16" para hacer este agujero.
- (2) Use tacos de pared si es apropiado u otros herrajes de sujeción en conjunción con los sujetadores de techo (se compran por separado).
- (3) Use los tornillos apropiados u otro accesorio de fijación junto con los sujetadores de techo (se compran por separado) para fijar los soportes.

## Fije la campana extractora en el soporte

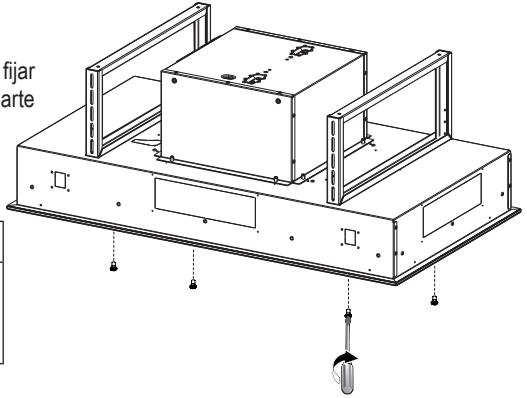
### 8.d

Fije la campana extractora en los soportes.

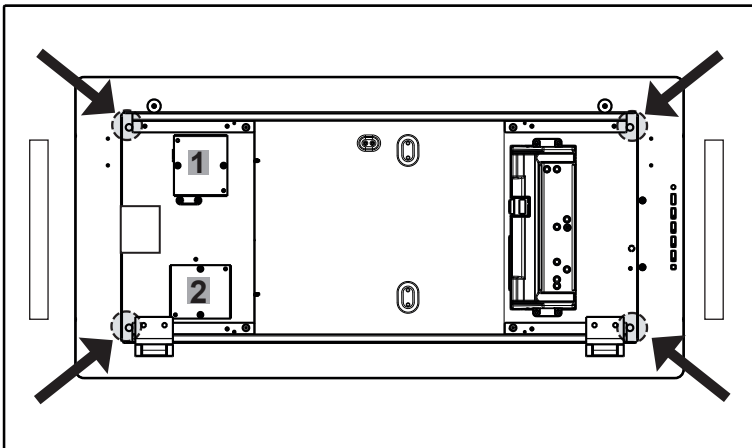


## Use los tornillos para fijar la campana a los soportes del techo

Use los 4 tornillos de la lista de componentes para fijar los soportes de techo de la campana desde la parte inferior dentro de la campana.



Ref.	Tamaño	Imagen
F	1/4" x 9/16"	



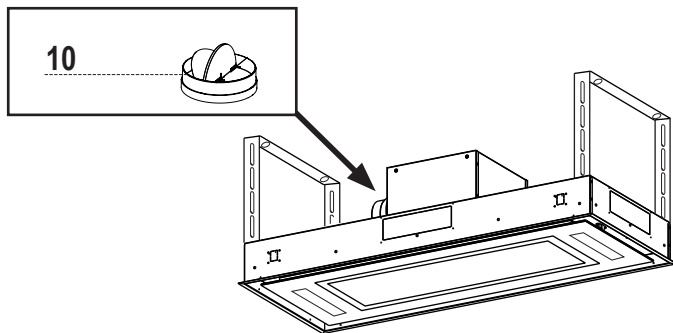
# CONECTE EL CONDUCTO

## Instalación de ventilación con conducto

### Instale el amortiguador

9

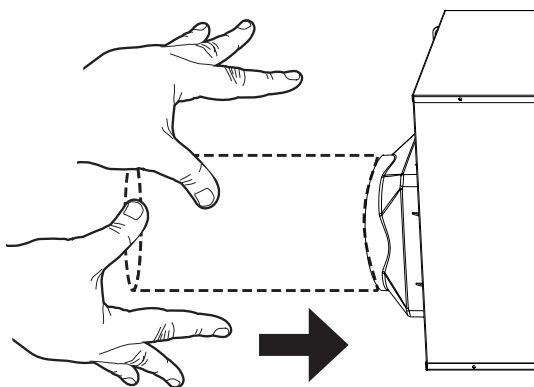
Instale el registro que se incluye con la campana antes de la conexión a la red de conductos. Selle con cinta adhesiva de aluminio.



### Conectarse a la salida de aire

10

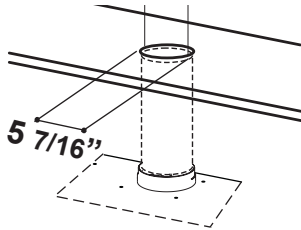
Conecte la campana a la tubería de salida de aire. Use cinta adhesiva de aluminio para sellar la unión.



## Sin conducto - Opciones de recirculación

### 11a

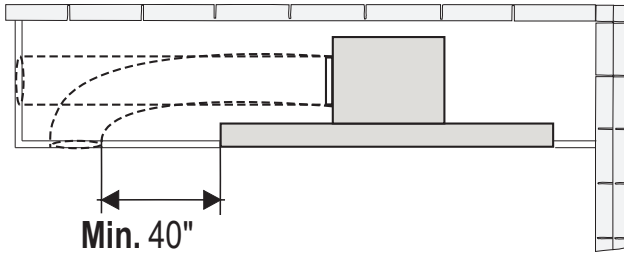
Agujero de recirculación



### 11b

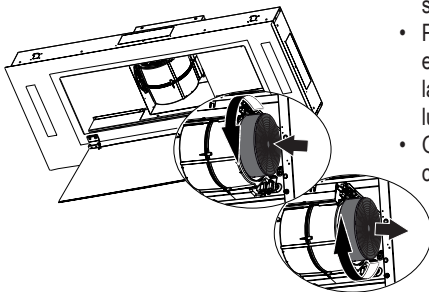
Información para el agujero de recirculación

Mantenga el conducto de aire de retorno al menos a 40" lejos del costado de la campana extractora.



### 12

Instale el kit de filtro de carbón activado



- Fije cada filtro de carbón a la rejilla negra a cada lado del soplador.
- Presione el filtro de carbón firmemente contra la rejilla negra en el lado del soplador y gire el filtro en sentido horario (hacia la parte delantera de la campana) hasta que encaje en su lugar (A).
- Gire en sentido antihorario (hacia la parte posterior de la campana a insertar) para quitar (B).

**B**

Accesorio filtro de carbón activado  
requerido - sku # - FILTER1 o  
FILTER1LL (se compran por separado)



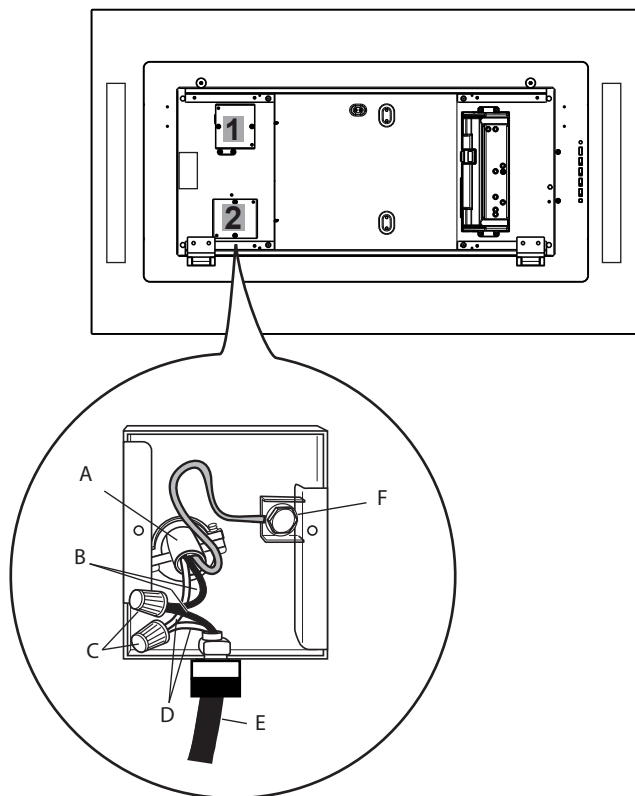


## CONEXIÓN DE LA CAJA DE CABLEADO 2 (Caja de cableado del soplador remoto)

# 13

**IMPORTANTE: SOLO PARA INSTALACIÓN DE SOPLADOR EXTERNO**

- Conecte el cable del soplador remoto con los dos cables dentro de la caja de cableado 2 mediante el conector de cable tipo twist-on y haciendo coincidir el color:
  - Negro con Negro
  - Blanco con Blanco
- Conecte el cable de tierra verde del soplador remoto al tornillo de tierra verde.
- Reemplace la cubierta del compartimento de cableado de campo.
- Compruebe el diagrama de cableado.

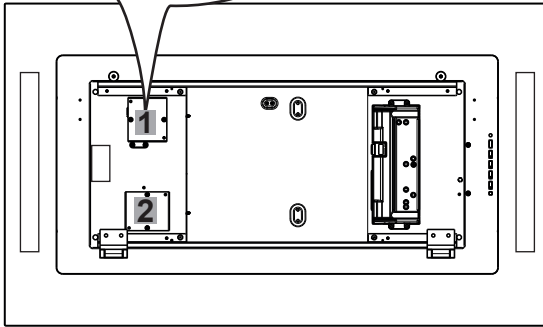
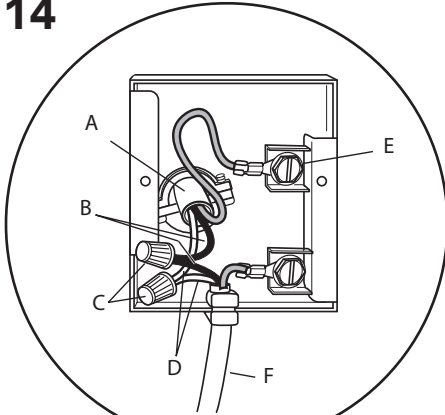


- A. Cable de alimentación del soplador remoto.
- B. Cables negros.
- C. Conectores de cable con homologación UL.
- D. Cables blancos.
- E. Cable interno de la campana.
- F. Tornillo de tierra verde.

# CONEXIÓN DE LA CAJA DE CABLEADO DOMÉSTICA

## Cableado de alimentación doméstica a la campana

### 14



### Instalación de la conexión de la caja de cableado eléctrico doméstico 1

1. Retire la tapa del compartimento de cableado de campo. NO encienda la unidad hasta que se haya completado la instalación.
2. Conecte el cable de la fuente de alimentación a la campana extractora.
3. Conecte el cable de tierra verde (verde y amarillo) debajo del tornillo de conexión a tierra verde.
4. Conecte el cable blanco de la fuente de alimentación al cable blanco de la campana extractora con un conector de cable tipo twist-on.
5. Conecte el cable negro de la fuente de alimentación al cable negro de la campana extractora con un conector de cable tipo twist-on.
6. Vuelva a colocar la cubierta de la caja de cableado 1 y los filtros de grasa.
7. Compruebe el diagrama de cableado.

A. Cable de la fuente de alimentación doméstica.

B. Cables negros.

C. Conectores de cable con homologación UL.

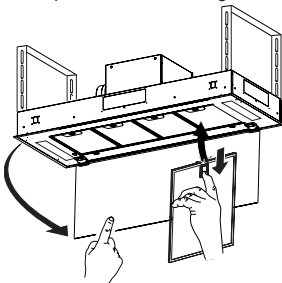
D. Cables blancos.

E. Cable de tierra verde (o descubierto) de la fuente de alimentación doméstica para ser conectado a un tornillo de tierra verde.

F. Cable de alimentación de la campana extractora.

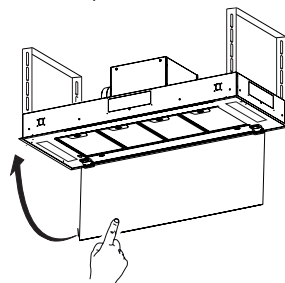
### 15

Reemplace los filtros de grasa.



### 16

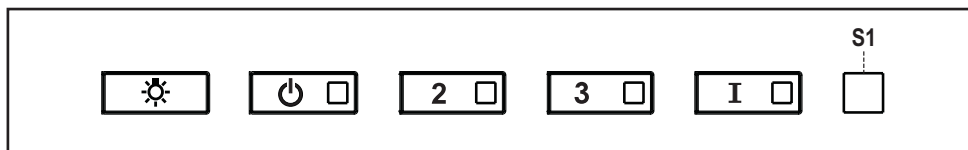
Cierre el panel de cubierta del filtro.



# INFORMACIÓN DE USO Y CUIDADO

## Para mejores resultados

Encienda la campana extractora varios minutos antes de cocinar para desarrollar un flujo de aire adecuado. Deje que la campana extractora funcione durante varios minutos después de que se complete la cocción para eliminar todo el humo y los olores de la cocina.

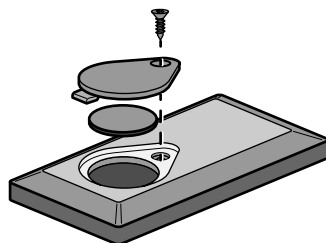


Botón	Función	Led
	Enciende / apaga las luces a máxima potencia.	-
	Mantenga presionado el botón durante aproximadamente 2 segundos para encender / apagar las luces del atenuador.	-
	Enciende / apaga el motor a la velocidad uno.	ON
	Función de retardo: Mantenga presionado el botón durante aproximadamente 3 segundos para activar / desactivar la función de retardo (apagado automático del motor, y la iluminación con un retardo de 30 minutos). No se puede habilitar cuando Intensiva está activada.	
	Enciende el motor a la velocidad dos.	ON
	Alarma del filtro de carbón activado Mantenga presionado el botón durante aproximadamente 5 segundos, con toda la campana apagada (motor y luces) para encender la alarma. El LED correspondiente parpadea dos veces para confirmar. Para apagar la alarma, presione el botón nuevamente y manténgalo presionado durante al menos 5 segundos. El LED correspondiente parpadea una vez.	
	Enciende el motor a la velocidad tres.	ON
	Alarma de filtro de grasa Para restablecer la alarma: presione y mantenga presionado el botón durante aproximadamente 3 segundos, con la campana apagada (Motor y Luces), y hasta que el LED S1 parpadee tres veces.	
	Enciende el motor a velocidad INTENSIVA. Esta velocidad está programada para funcionar durante 6 minutos. Al final de este tiempo, el sistema regresa automáticamente a la velocidad establecida anteriormente. Si se activa con el motor apagado, la campana cambiará a OFF al final del tiempo.	ON
S1	Señala la alarma de saturación del filtro de grasa metálico, lo que indica que es necesario lavar los filtros. La alarma se activa después de que la campana ha estado en funcionamiento durante 100 horas de trabajo.	ON
	Cuando esto se activa, señala: La alarma de saturación del filtro de carbón activado, que indica que se debe cambiar el filtro; Los filtros de grasa de metal también deben lavarse. La alarma de saturación del filtro de carbón activado entra en funcionamiento después de que la campana ha estado trabajando durante 200 horas.	Destellando.

## Información de control remoto

### Instalación de la batería

- El control remoto funciona con una batería tipo CR2032 de 3 V (no incluida).
- Retire el tornillo e instale la batería.
- Compruebe que la batería esté instalada con el lado "+" hacia arriba.



### Precaución:

- No coloque el mando remoto cerca de fuentes de calor.
- No deseche las baterías con la basura normal, deben colocarse en contenedores específicos.
- Asegúrese de que el compartimento de la batería esté atornillado y totalmente apretado.

## Panel de control del control remoto



		Motor Encendido/Apagado.
		-
		-
		Luz Encendida / Apagada
		Presione durante 2 segundos para activar el atenuador.
		Activa/Desactiva la operación Intensiva
		Breve presión: Activa/desactiva la función de retardo: apagado automático con un retardo de 30'. La pantalla muestra la velocidad de operación y el punto en la parte inferior derecha parpadea una vez por segundo.
		Aumenta la velocidad de trabajo cada vez que se presiona
		Disminuye la velocidad de trabajo cada vez que se presiona

### Limpieza de los filtros de grasa metálicos

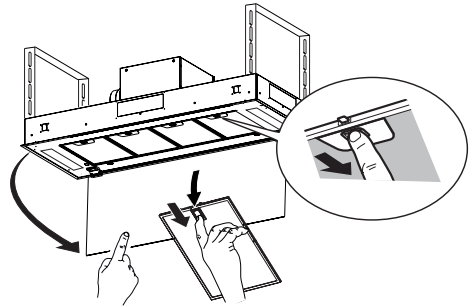
Estos pueden lavarse en el lavavajillas y deben limpiarse cada vez que se enciende el led **S1** o al menos una vez cada 2 meses de uso, o con mayor frecuencia si el uso es particularmente intenso.

#### Restablecer la alarma del filtro de grasa

- Apague las luces y la campana.
- Presione y mantenga presionado **3** durante al menos 3 segundos, hasta que el LED parpadee tres veces como confirmación.

#### Limpieza de los filtros

- Abra el Panel.
- Retire los filtros de a uno por vez, empujándolos hacia la parte posterior de la unidad y al mismo tiempo tirando hacia abajo.
- Lave los filtros sin doblarlos y déjelos secar completamente antes de volver a colocarlos. (Si la superficie del filtro cambia de color a medida que pasa el tiempo, esto no tendrá ningún efecto en la eficacia del filtro).
- Reemplace los filtros de grasa, teniendo cuidado de asegurarse de que la manija mire hacia adelante.
- Seque completamente los filtros antes de volver a instalarlos. De lo contrario, la grasa sobrante puede calentarse y gotear.
- Cierre el panel.



### Reemplazo del filtro de carbón activado

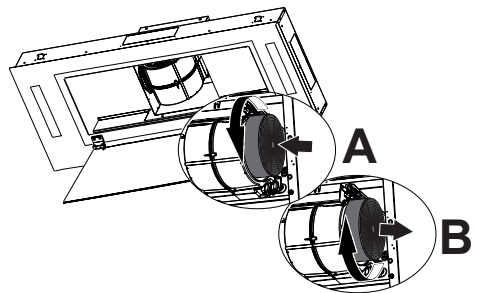
No pueden lavarse ni regenerarse, y deben cambiarse cuando el LED **S1** comienza a parpadear, o al menos una vez cada 4 meses. La señal de alarma, si se ha activado, solo aparece cuando se enciende el soplador de la campana.

#### Restablecer la señal de alarma

- Apague las luces y el soplador de la campana.
- Presione y mantenga presionado **3** durante al menos 3 segundos, hasta que el LED parpadee tres veces como confirmación.

#### Limpieza de los filtros

- Abra el Panel.
- Retire el filtro de grasa metálico.
- Retire los filtros saturados de carbón activado, como se indica **(A)**.
- Coloque los nuevos filtros, como se indica **(B)**.
- Reemplace los filtros de grasa metálicos.
- Cierre el panel.



## **Limpieza de superficies exteriores**

### **Limpieza de superficies exteriores:**

Tenga en cuenta que los abrasivos y los agentes de limpieza pueden rayar los acabados de la campana extractora y no deben usarse para limpiar superficies acabadas.

### **Instrucciones de limpieza del acabado de acero inoxidable:**

Limpie las superficies exteriores con un limpiador para acero inoxidable disponible en el mercado.

### **Instrucciones de limpieza del acabado gris pintado:**

Limpie las superficies exteriores con agua jabonosa caliente.

## **Iluminación**

- Las luces LED deben ser reemplazadas por el servicio autorizado por la fábrica Faber.



## GARANTÍA Y SERVICIO AL CONSUMIDOR FABER

Todos los productos Faber están garantizados contra cualquier defecto de materiales o mano de obra para el comprador original por un período de 1 año a partir de la fecha de compra original (requiere prueba de compra). Esta garantía cubre mano de obra y piezas de repuesto. Faber, a su elección, puede reparar o reemplazar el producto o componentes necesarios para restaurar el producto en buenas condiciones de trabajo. Para obtener el servicio de garantía, póngase en contacto con el distribuidor de quien adquirió la campana extractora o con el distribuidor local de Faber. Si no puede identificar a un distribuidor local de Faber, comuníquese con nosotros al (508) 358-5353 para obtener el nombre de un distribuidor en su área.

### Lo siguiente no está cubierto por la garantía de Faber:

1. Llamadas de servicio para corregir la instalación de su campana extractora, para instruirle sobre cómo usar su campana extractora, para reemplazar o reparar fusibles de la casa o para corregir el cableado de la casa o la plomería.
2. Llamadas de servicio para reparar o reemplazar las bombillas, fusibles o filtros de la campana extractora. Estas partes de consumibles están excluidas de la cobertura de la garantía.
3. Reparaciones, cuando su campana extractora se utiliza para uso doméstico distinto al normal.
4. Daños resultantes de accidente, alteración, mal uso, abuso, incendio, inundación, eventos naturales, instalación incorrecta, instalación no conforme a los códigos eléctricos o de plomería o la documentación de Faber, o uso de productos no aprobados por Faber.
5. Piezas de repuesto o costos de mano de obra de reparación para unidades operadas fuera de los Estados Unidos o Canadá, incluyendo cualquier campana de cocina Faber no aprobada por UL o C-UL.
6. Reparaciones a la campana resultantes de modificaciones no autorizadas a la misma.
7. Gastos de viaje y transporte para el servicio del producto en lugares remotos, y gastos de recogida y entrega. Las campanas de cocina Faber deben ser reparadas en el hogar.

ESTA GARANTÍA NO PERMITE LA RECUPERACIÓN DE DAÑOS INCIDENTALES O CONSECUENTES, INCLUYENDO, SIN LIMITACIÓN, DAÑOS DIRECTOS, INDIRECTOS, INCIDENTALES, ESPECIALES O CONSECUENTES, LESIONES PERSONALES O MUERTE INCORRECTA O BENEFICIOS PERDIDOS. LA GARANTÍA DE FABER SE LIMITA A LAS CONDICIONES ANTERIORES Y AL PERÍODO DE GARANTÍA ESPECIFICADO AQUÍ Y ES EXCLUSIVA. EXCEPTO DADO LO EXPRESAMENTE ESPECIFICADO EN ESTE ACUERDO, FABER RENUNCIA A TODAS LAS CONDICIONES, REPRESENTACIONES Y GARANTÍAS EXPRESAS O IMPLÍCITAS INCLUYENDO, SIN LIMITACIÓN, CUALQUIER GARANTÍA IMPLÍCITA DE COMERCIABILIDAD O ADECUACIÓN PARA UN PROPÓSITO PARTICULAR.

Esta garantía le otorga derechos legales específicos que pueden variar de estado a estado.

Modelo: \_\_\_\_\_ Número de serie \_\_\_\_\_

CE