

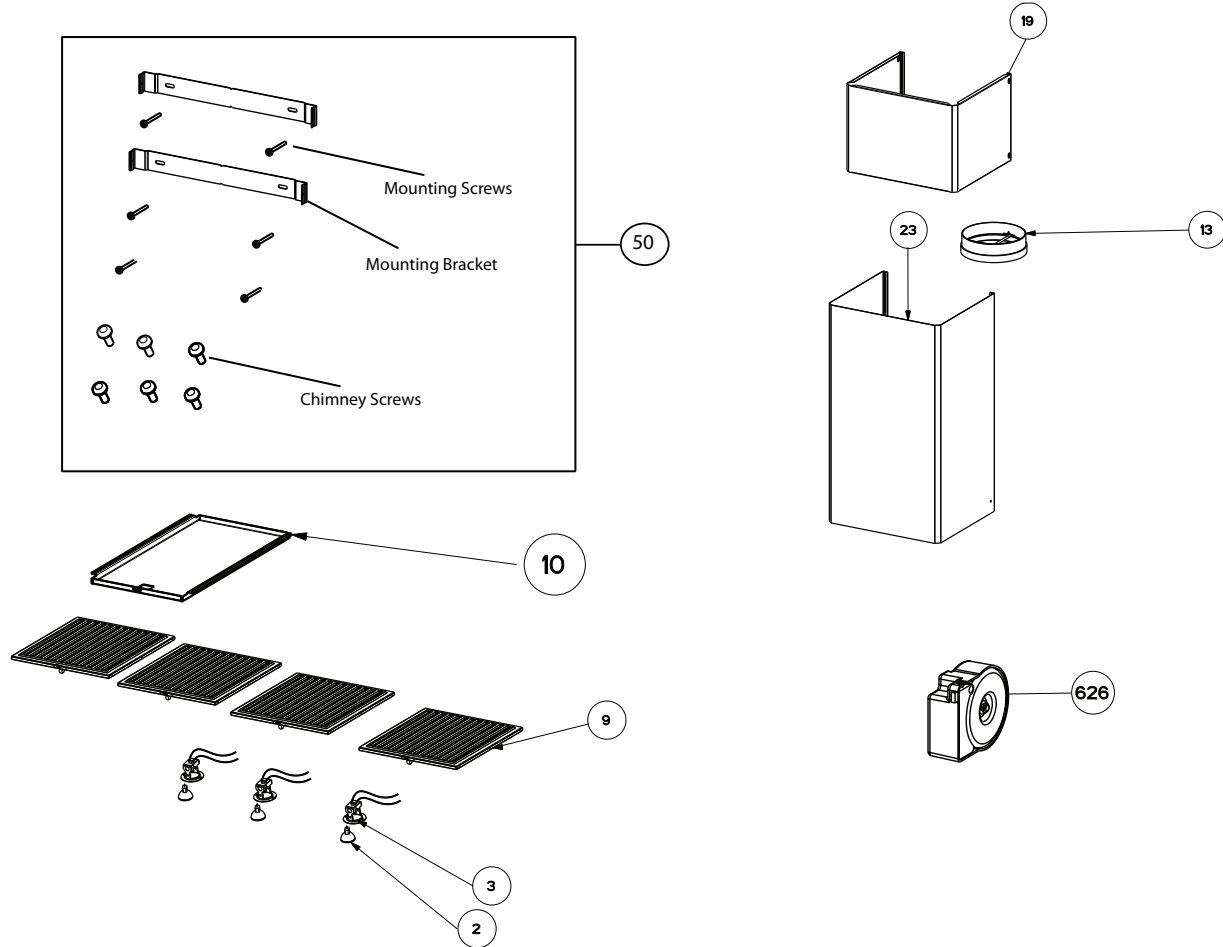
DIAMANTE -Push Button (Serials R-Y or O or 1)

Look for the following identifier:



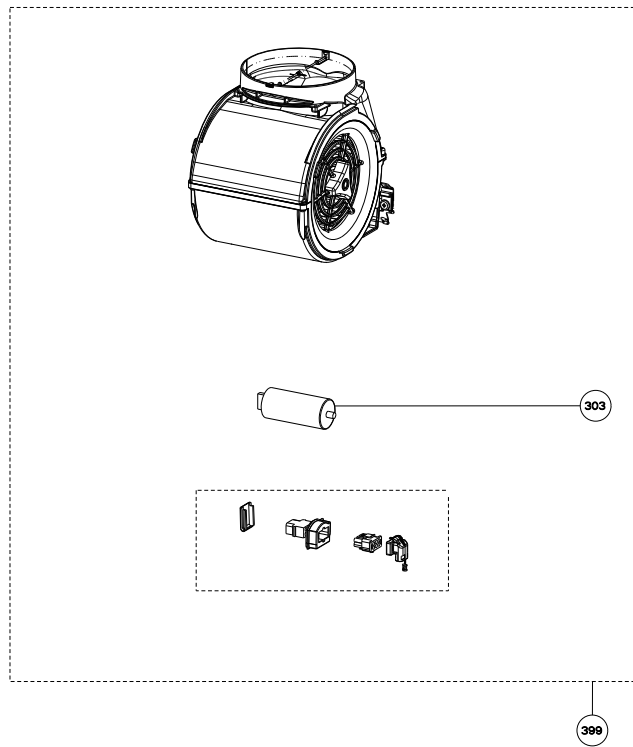
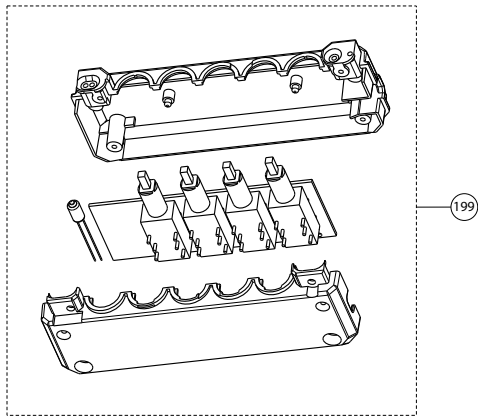
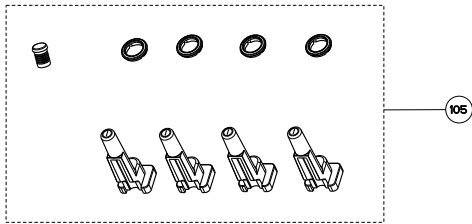
Push Buttons

body / switch / chimney components



	Model Number	630001087	630001088	630001648	
Key	Description	30	36	48	Qty Req.
2	Halogen Lamp	133.0046.418	133.0046.418	133.0046.418	30=2, 36=3, 48=3
3	Lampholder	133.0056.061	133.0056.061	133.0056.061	30=2, 36=2, 48=3
9	Grease Filter	133.0018.482	133.0018.482	133.0018.482	30=2, 36=3, 48=4
10	Filter Spacer	133.0059.662	NA	NA	1
13	Damper	133.0055.994	133.0055.994	133.0055.994	1
19	Upper Chimney	133.0059.669	133.0059.669	133.0059.669	1
23	Lower Chimney	133.0059.672	133.0059.672	133.0059.672	1
50	Mounting Kit Easy Cube	133.0084.478	133.0084.478	133.0084.478	1
626	Transformer	133.0053.047	133.0053.047	133.0053.047	1

DIAMANTE -Push Button (Serials R-Y or O or 1) motor components



	Model Number	630001087	630001088	630001648	
Key	Description	30	36	48	Qty Req.
105	Push button kit	133.0052.513	133.0052.513	133.0052.513	1
199	Switchboard kit (no wiring harness)	133.0062.137	133.0062.137	133.0062.137	1
199	Switchboard kit (WITH wiring harness)	133.0059.801	133.0059.801	133.0059.801	1
303	Capacitor	133.0060.648	133.0060.648	133.0060.648	1
303	Capacitor (S - W Serial #)	133.0056.000	133.0056.000	133.0056.000	1
399	Motor Kit	133.0055.998	133.0055.998	133.0055.998	1