

INCA PRO 38 (Serial # Starts R - Y or O)

body components

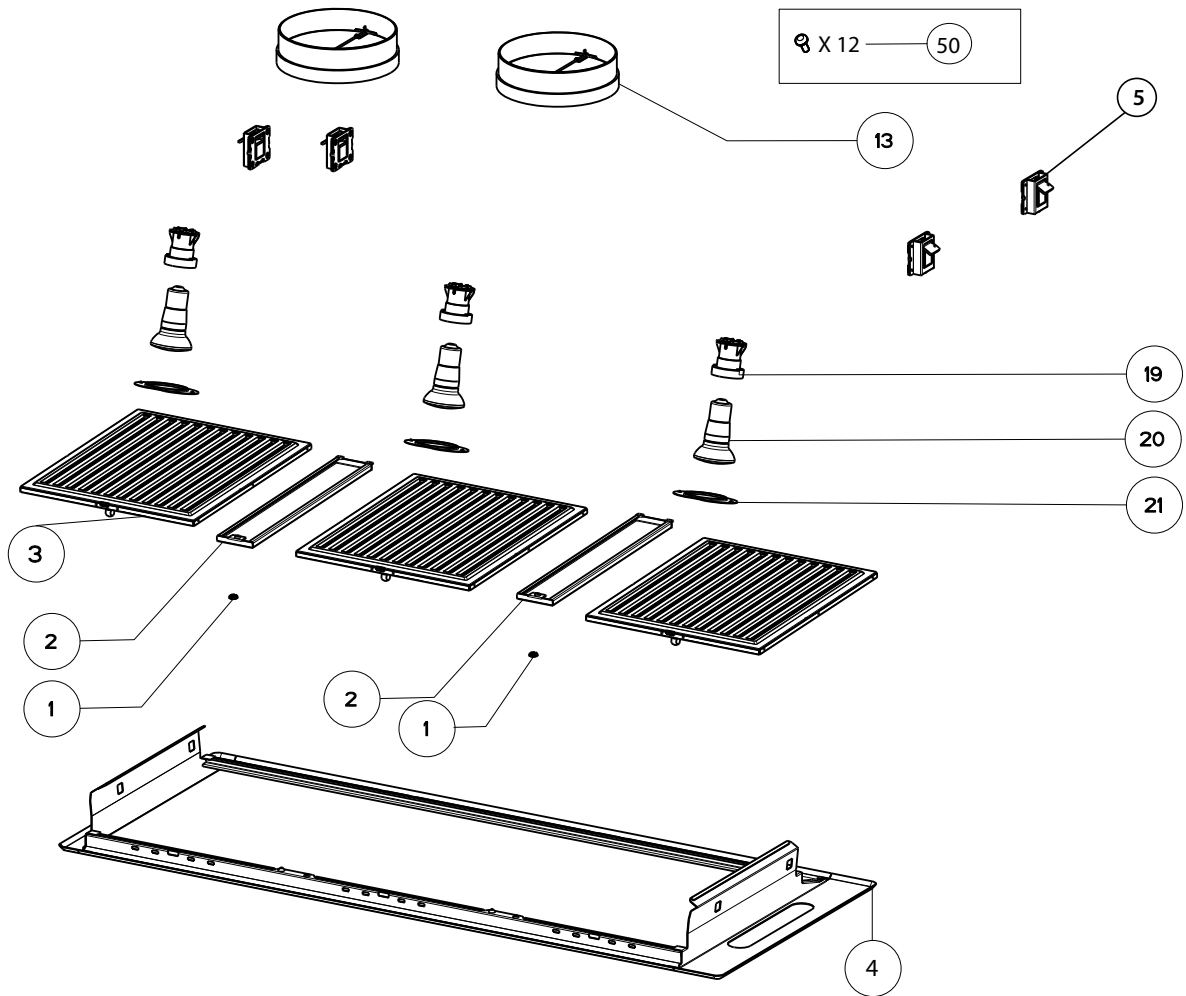
Look for the following identifiers:



Slider Control



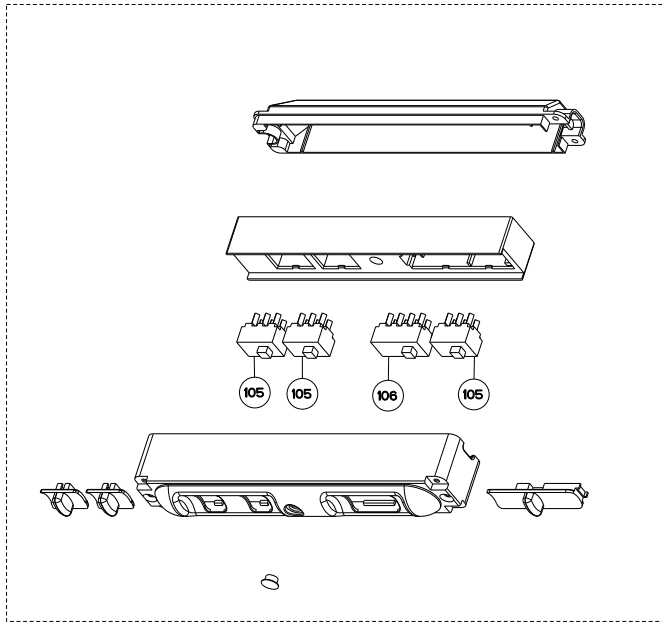
45W Halogen PAR 16 Bulb



Key	Description	Model Number	Qty Req.
1	Rubber Stopper	133.0017.608	1
2	Filter Spacer	133.0064.351	2
3	Grease Filter	133.0018.482	3
4	Grease Filter Support	133.0150.546	1
5	Hinge Clip Kit (2 in kit)	133.0078.993	2
13	Damper	133.0055.994	2
19	Lampholder	133.0064.355	3
20	Halogen Lamp	133.0064.354	3
21	Bezel	133.0064.103	3
50	Mounting Kit Screws Inca	133.0084.481	1

INCA PRO 38 (Serial # Starts R - Y or O)

switch / motor components



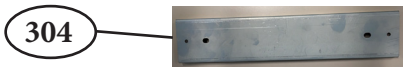
101



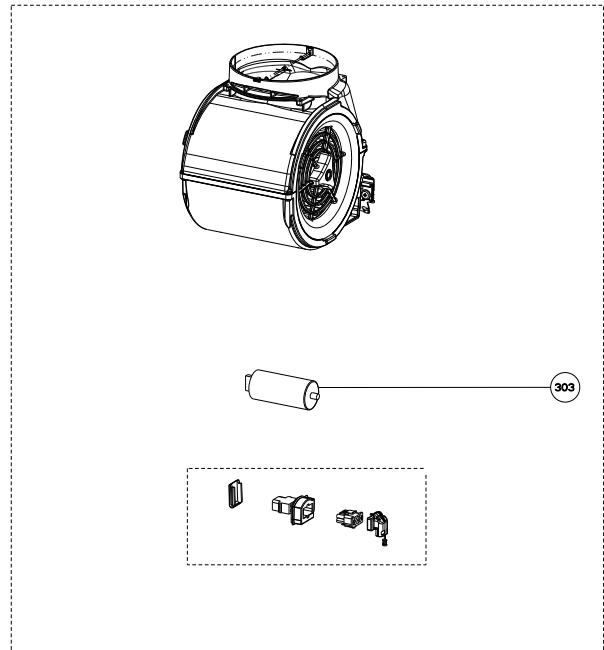
303



303



304



399

Key	Model Number	Description	Qty Req.
	630001175	38 Stainless	
101	133.0171.810	Switch Kit	1
105	133.0054.536	On /Off Switches	1
106	133.0054.538	Speed Switch	1
303	133.0060.648	Capacitor (Y Serial # and older)	2
303	unavailable	Capacitor (S - W Serial #)	2
304	133.0000.003	Motor Retrofit Bracket	1
399	133.0055.998	Motor Group Kit	2