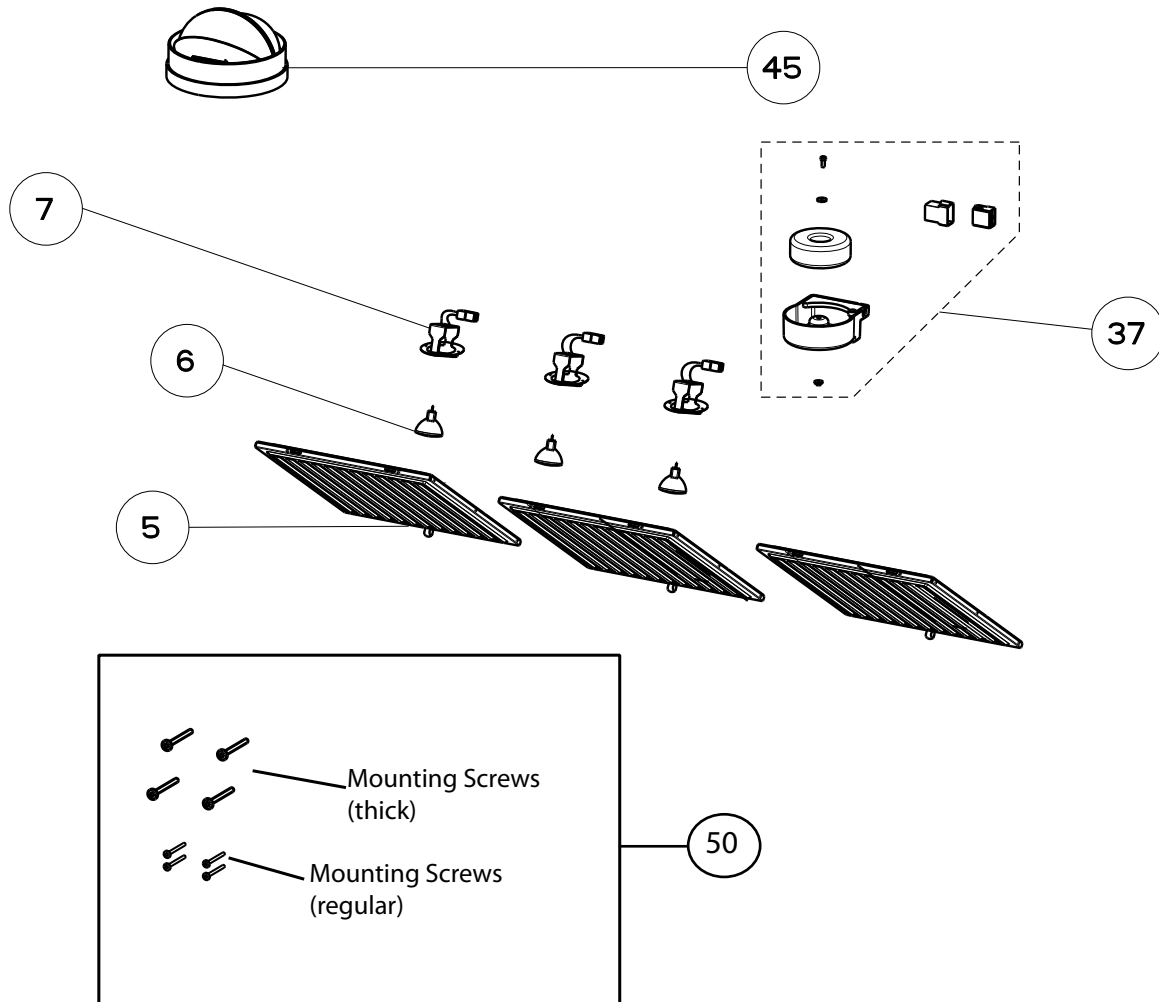


# MAGNUM (SERIAL # STARTS 1 THRU 7)

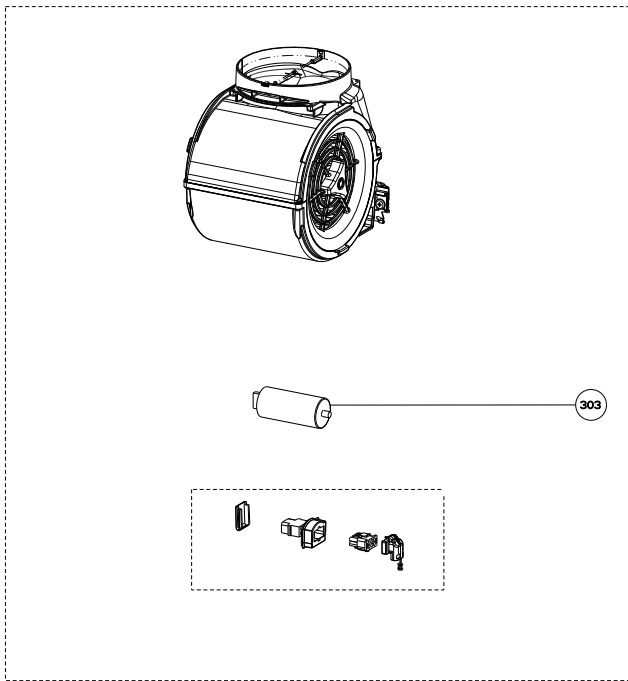
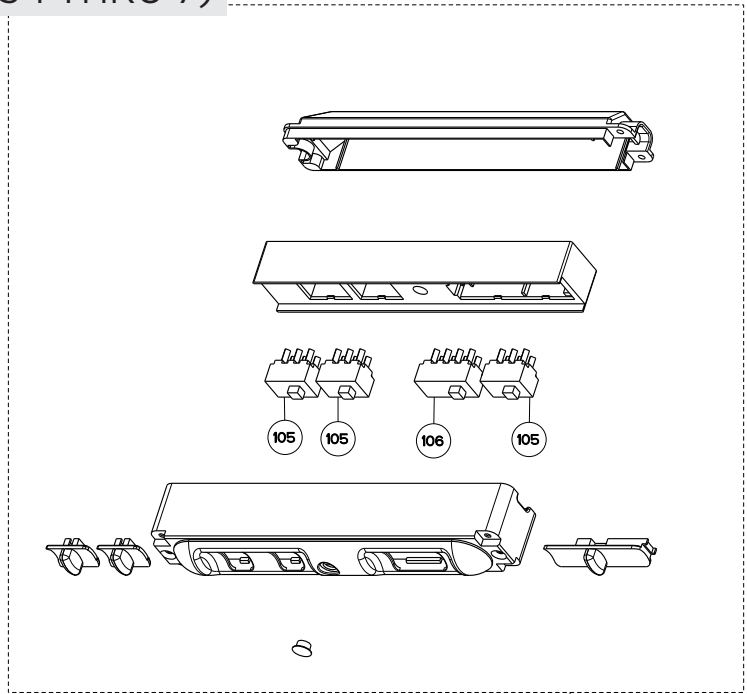
## body components



Key	Model Number	MAGN24SS	MAGN30SS	MAGN36SS	Qty Req.
	Description	24 Stainless	30 Stainless	36 Stainless	
5	Grease filter	133.0018.482	133.0018.482	133.0018.482	24"=2, 30"=2, 36"=3
6	Halogen Lamp	133.0046.418	133.0046.418	133.0046.418	24"=2, 30,36"= 3
7	Lamp holder	133.0060.539	133.0060.539	133.0060.539	24"=2, 30"=3, 36"=3
37	Transformer kit	133.0053.047	133.0053.047	133.0053.047	1
45	Damper	133.0055.994	133.0055.994	133.0055.994	1
50	Mounting Kit Undercounter	133.0084.482	133.0084.482	133.0084.482	1

MAGNUM (SERIAL # STARTS 1 THRU 7)

switch & motor components



	Model Number	MAGN24SS	MAGN30SS	MAGN36SS	
Key	Description	24 Stainless	30 Stainless	36 Stainless	Qty Req.
101	Switchboard kit	133.0172.187	133.0172.187	133.0172.187	1
105	On / Off switch	133.0054.536	133.0054.536	133.0054.536	2
106	Motor speed switch	133.0054.538	133.0054.538	133.0054.538	1
303	Capacitor	133.0060.648	133.0060.648	133.0060.648	1
399	Motor group	133.0174.148	133.0174.148	133.0174.148	1