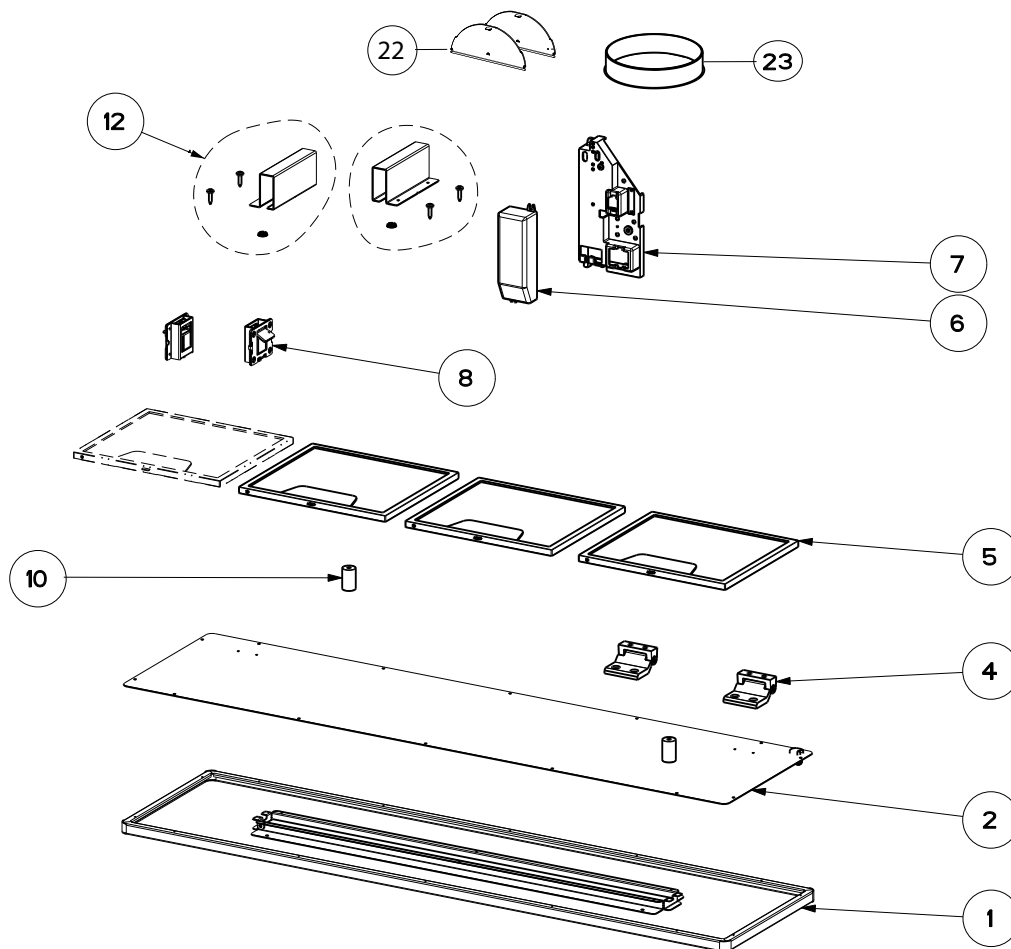


INCA IN-LIGHT (Serial # Starts 8 -9 or A THRU G)

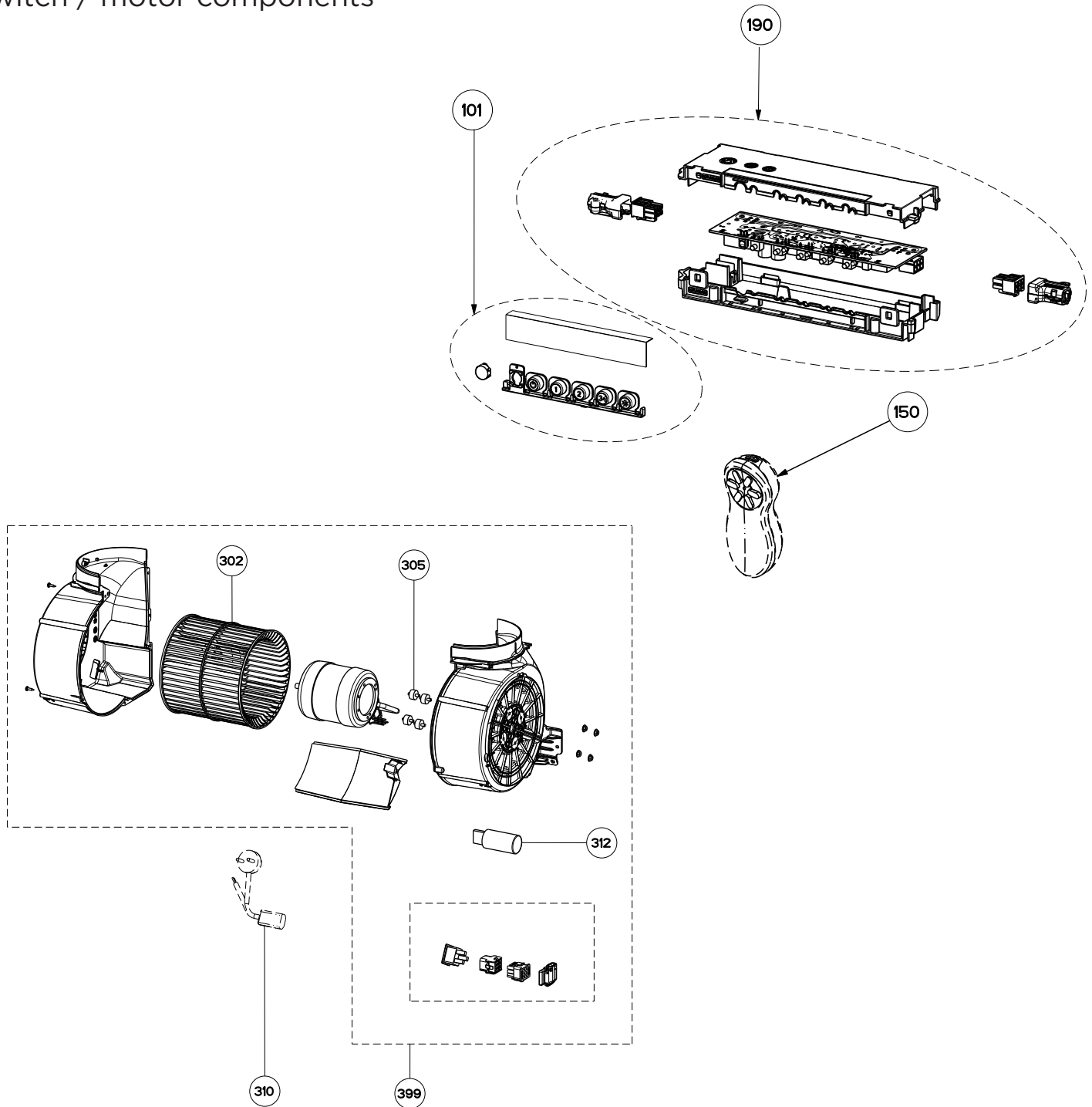
body components



	Model Number	INLT21SSV	INLT28SSV	INLT35SSV	
Key	Description	21 Stainless	28 Stainless	36 Stainless	Qty Req.
1	Light Panel Cover	133.0632.598	133.0524.812	133.0632.619	1
2	Light Panel Support	133.0632.600	133.0524.813	133.0632.620	1
4	Panel Hinge Kit	133.0304.582	133.0304.582	133.0304.582	2
5	Grease Filters	133.0469.233	133.0469.233	133.0469.233	3
6	Transformer	133.0171.826	133.0171.826	133.0171.826	1
7	Transformer Support	133.0182.439	133.0182.439	133.0182.439	1
8	Hinge Clips (qty 2)	133.0017.524	133.0017.524	133.0017.524	1
10	Magnet	133.0401.022	133.0401.022	133.0401.022	2
12	Hardware Kit (qty 2)	133.0632.611	133.0632.611	133.0632.611	1
22	Damper	133.0522.831	133.0522.831	133.0522.831	1
23	Metal Damper Collar	133.0653.126	133.0653.126	133.0653.126	1

INCA IN-LIGHT (Serial # Starts 8 -9 or A THRU G)

switch / motor components



	Model Number	INLT21SSV	INLT28SSV	INLT35SSV	
Key	Description	21 Stainless	28 Stainless	36 Stainless	Qty Req.
101	Control Button Kit	133.0380.478	133.0380.478	133.0380.478	1
150	Remote Control	REMORIG	REMORIG	REMORIG	1
190	Control Board Kit	133.0524.811	133.0524.811	133.0524.811	1
302	Impeller Kit	133.0052.799	133.0052.799	133.0052.799	1
305	Rubber Motor Mount (qty 4)	133.0051.604	133.0051.604	133.0051.604	1
310	Power Cord	133.0381.468	133.0381.468	133.0381.468	1
312	Capacitor	133.0060.648	133.0060.648	133.0060.648	1
399	Motor Kit	133.0554.637	133.0554.637	133.0554.637	1