

# TELESCOPIC CHIMNEY

ACCESSORY



## FABER'S TELESCOPIC CHIMNEY ACCESSORY

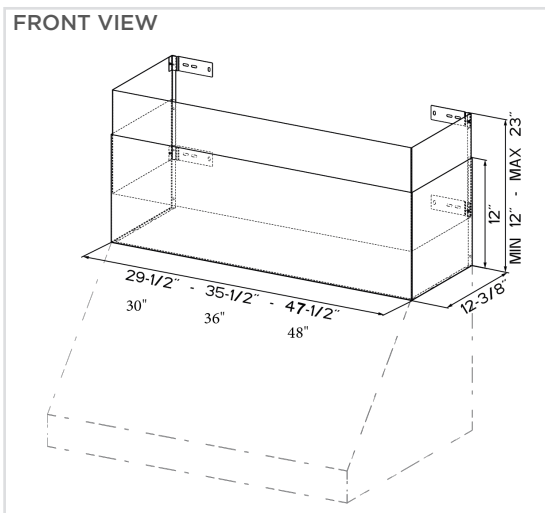
The durable stainless steel telescopic chimney completes any kitchen design. The chimney is adjustable to accommodate up to 9' ceilings.

Model #	Size / Color	Dimensions
<b>TELEPRO30</b>	Telescopic Chimney Kit 30"	29 1/2" W x 12 3/8" D x MIN 12" - MAX 23" H
<b>TELEPRO36</b>	Telescopic Chimney Kit 36"	35 1/2" W x 12 3/8" D x MIN 12" - MAX 23" H
<b>TELEPRO48</b>	Telescopic Chimney Kit 48"	47 1/2" W x 12 3/8" D x MIN 12" - MAX 23" H

Exclusively for the Brevia Pro 11 and 18



FRONT VIEW



Rev1 1122

800 Aviation Parkway, Smyrna, TN 37167 (508) 358-5353 | [www.faberonline.com](http://www.faberonline.com)

**FABER**  
FRANKE'S AIR EXPERT