

FABER

STILO GLASS

Installation Instructions
Use and Care Information

Instructions d'installation
Utilisez et d'entretien

Instrucciones de instalación
Información de uso y cuidado

STGL30SSV
STGL36SSV

CONTENTS

Section	Page
IMPORTANT SAFETY INSTRUCTIONS	3
RANGE HOOD DIMENSIONS	6
INSTALLATION HEIGHT REQUIREMENTS	7
PARTS	8
TOOLS NEEDED	10
VENTING METHOD	11
INSTALLING	12
CHOOSING VENTING METHOD	17
ATTACH VENTING: DUCTED	18
ATTACH VENTING: NON DUCTED RECIRCULATING	22
CONNECTING HOUSE POWER	26
OPERATING THE CONTROLS	27
FABER CLOUD APP	33
REMOTE CONTROL	34
CLEANING STAINLESS STEEL	35
CARING FOR FILTERS	35
REPLACING BULBS	36
WIRING DIAGRAM	37
WARRANTY	38

IMPORTANT SAFETY INSTRUCTIONS

READ AND SAVE THESE INSTRUCTIONS BEFORE YOU START INSTALLING THIS Range Hood

WARNING: - TO REDUCE THE RISK OF A RANGE TOP GREASE FIRE:

- a) Never leave surface units unattended at high settings. Boilovers cause smoking and greasy spillovers that may ignite. Heat oils slowly on low or medium setting.
- b) Always turn hood ON when cooking at high heat or when flambeing food (i.e. Crepes Suzette, Cherries Jubilee, Peppercorn Beef Flambé).
- c) Clean ventilating fans frequently. Grease should not be allowed to accumulate on fan or filter.
- d) Use proper pan size. Always use cookware appropriate for the size of the surface element.

WARNING: - TO REDUCE THE RISK OF INJURY TO PERSONS IN THE EVENT OF A RANGE TOP GREASE FIRE, OBSERVE THE FOLLOWING*:

- a) SMOTHER FLAMES with a close-fitting lid, cookie sheet, or metal tray, then turn off the burner. BE CAREFUL TO PREVENT BURNS. If the flames do not go out immediately EVACUATE AND CALL THE FIRE DEPARTMENT.
- b) NEVER PICK UP A FLAMING PAN - You may be burned.
- c) DO NOT USE WATER, including wet dishcloths or towels - a violent steam explosion will result.
- d) Use an extinguisher ONLY if:
 1. You know you have a Class ABC extinguisher, and you already know how to operate it.
 2. The fire is small and contained in the area where it started.
 3. The fire department is being called.
 4. You can fight the fire with your back to an exit.

* Based on "Kitchen Firesafety Tips" published by NFPA

WARNING - TO REDUCE THE RISK OF FIRE OR ELECTRIC SHOCK, do not use this fan with any solid-state speed control device.

WARNING - TO REDUCE THE RISK OF FIRE, ELECTRICAL SHOCK, OR INJURY TO PERSONS, OBSERVE THE FOLLOWING:

1. Use this unit only in the manner intended by the manufacturer. If you have any questions, contact the manufacturer.
2. Before servicing or cleaning unit, switch power off at service panel and lock the service disconnecting means to prevent power from being switched on accidentally. When the service disconnecting means cannot be locked, securely fasten a prominent warning device, such as a tag, to the service panel.

CAUTION: For General Ventilating Use Only. Do Not Use To Exhaust Hazardous or Explosive Materials and Vapors.

WARNING - TO REDUCE THE RISK OF FIRE, ELECTRICAL SHOCK, OR INJURY TO PERSONS, OBSERVE THE FOLLOWING:

1. Installation Work And Electrical Wiring Must Be Done By Qualified Person(s) In Accordance With All Applicable Codes And Standards, Including Fire-Rated Construction.
2. Sufficient air is needed for proper combustion and exhausting of gases through the flue (chimney) of fuel burning equipment to prevent backdrafting. Follow the heating equipment manufacturer's guideline and safety standards such as those published by the National Fire Protection Association (NFPA), and the American Society for Heating, Refrigeration and Air Conditioning Engineers (ASHRAE), and the local code authorities.

- 3. When cutting or drilling into wall or ceiling, do not damage electrical wiring and other hidden utilities.**
- 4. Ducted fans must always be vented to the outdoors.**

ALL WALL AND FLOOR OPENINGS WHERE THE Range Hood IS INSTALLED MUST BE SEALED.

This Range Hood requires at least 24" of clearance between the bottom of the Range Hood and the cooking surface or countertop. This hood has been approved by UL at this distance from the cooktop.

This minimum clearance may be higher depending on local building codes. For gas cooktops and combination ranges, a minimum of 30" is recommended and may be required.

Overhead cabinets on both sides of this unit must be a minimum of 18" above the cooking surface or countertop. Consult the cooktop or range installation instructions given by the manufacturer before making any cutouts.

MOBILE HOME INSTALLATION The installation of this Range Hood must conform to the Manufactured Home Construction and Safety Standards, Title 24 CFR, Part 3280 (formerly Federal Standard for Mobile Home Construction and Safety, Title 24, HUD, Part 280). See Electrical Requirements"

VENTING REQUIREMENTS

Determine which venting method is best for your application. Ductwork can extend either through the wall or the roof.

The length of the ductwork and the number of elbows should be kept to a minimum to provide efficient performance. The size of the ductwork should be uniform. Do not install two elbows together. Use duct tape to seal all joints in the ductwork system. Use caulking to seal exterior wall or floor opening around the cap.

Flexible ductwork is not recommended. Flexible ductwork creates back pressure and air turbulence that greatly reduces performance.

Make sure there is proper clearance within the wall or floor for exhaust duct before making cutouts. Do not cut a joist or stud unless absolutely necessary. If a joist or stud must be cut, then a supporting frame must be constructed.

WARNING - To Reduce The Risk Of Fire, Use Only Metal Ductwork.

CAUTION - To reduce risk of fire and to properly exhaust air, be sure to duct air outside - Do not vent exhaust air into spaces within walls or ceilings or into attics, crawl spaces, or garages.

Cold Weather installations

An additional back draft damper should be installed to minimize backward cold air flow and a non-metallic thermal break should be installed to minimize conduction of outside temperatures as part of the vent system. The damper should be on the cold air side of the thermal break. The break should be as close as possible to where the vent system enters the heated portion of the house.



WARNING

- Venting system **MUST** terminate outside the home.
- **DO NOT** terminate the ductwork in an attic or other enclosed space.
- **DO NOT** use 4" laundry-type wall caps.
- Flexible-type ductwork is not recommended.
- **DO NOT** obstruct the flow of combustion and ventilation air.
- Failure to follow venting requirements may result in a fire.

ELECTRICAL REQUIREMENTS

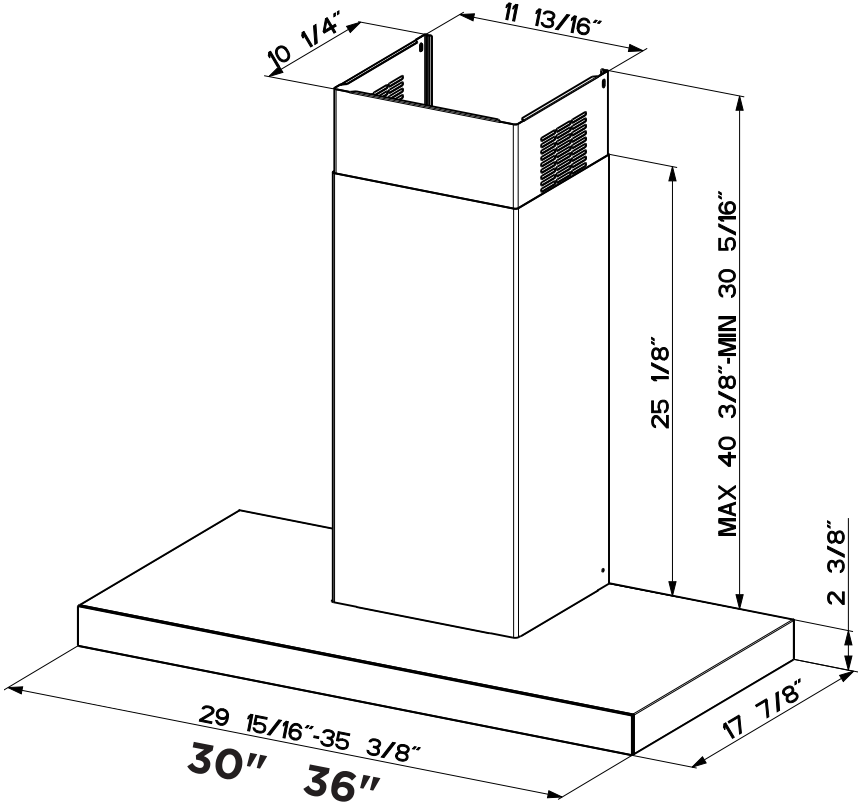
A 120 volt, 60 Hz AC-only electrical supply is required on a separate 15 amp fused circuit. A time-delay fuse or circuit breaker is recommended. The fuse must be sized per local codes in accordance with the electrical rating of this unit as specified on the serial/rating plate located inside the unit near the field wiring compartment.



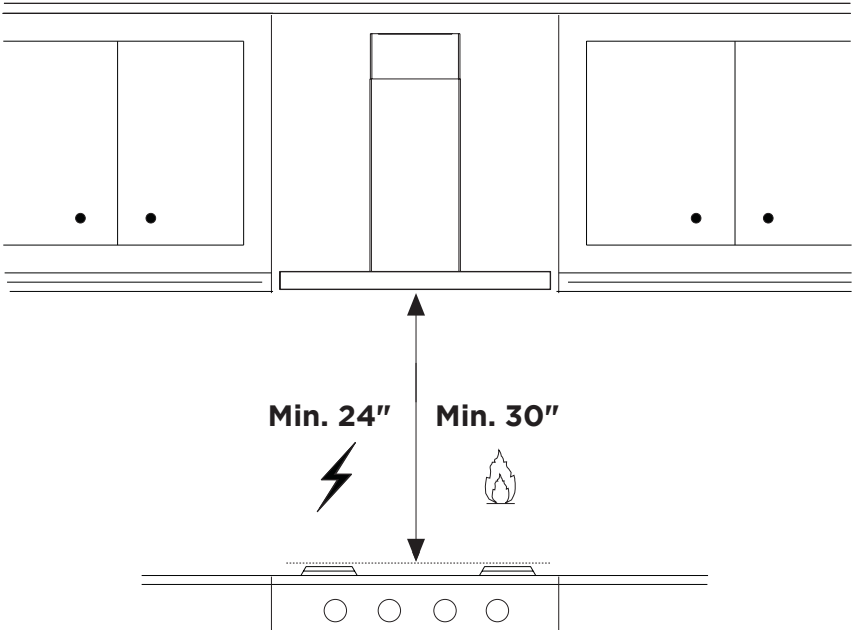
WARNING

- Electrical ground is required on this Range Hood.
- If cold water pipe is interrupted by plastic, nonmetallic gaskets or other materials, DO NOT use for grounding.
- DO NOT ground to a gas pipe.
- DO NOT have a fuse in the neutral or grounding circuit. A fuse in the neutral or grounding circuit could result in electrical shock.
- Check with a qualified electrician if you are in doubt as to whether the Range Hood is properly grounded.
- Failure to follow electrical requirements may result in a fire.

RANGE HOOD DIMENSIONS



INSTALLATION HEIGHT REQUIREMENTS


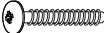



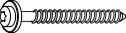




MIN. 24" OVER ELECTRIC
MIN. 30" OVER GAS

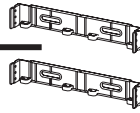
PARTS

PARTS INCLUDED

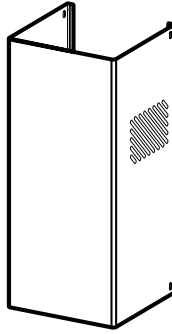
REF.	PART	QTY
A	Hood body	1
B	Telescopic Lower Chimney	1
C	Telescopic Upper Chimney	1
D	Chimney Brackets	2
E	Damper Flaps	2
F	Hood wall Brackets	1

REF	PART			
G	Pozi Screws 3/16" x 1 3/4"			6
H	Pozi Screws (1/8" x 3/16")			2
I	Torx Screws 1/8" x 7/16"			4
L	Torx Screws (1/4" x 2 3/4")			2

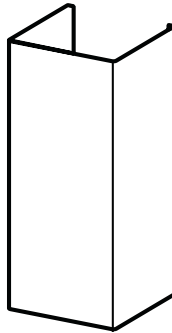
D



C



B



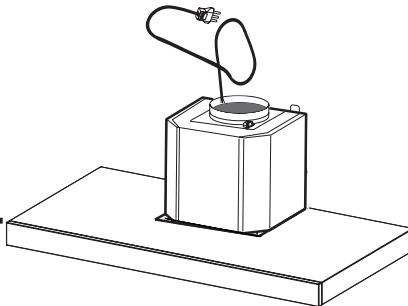
E



F






A



PARTS (cont.)








PARTS NEEDED

PART	
6" Round Metal Ductwork	
Drywall plugs or other suitable wall fasteners based on your installation.	
Foil tape	

ACCESSORIES AVAILABLE

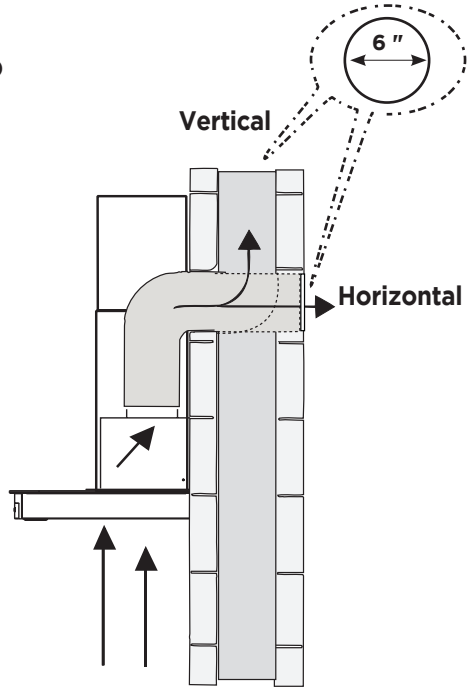
ACCESSORY	SKU#
Replacement Activated Charcoal Filter	#FILTER2
Wireless Remote Control	#REMORIG
Direct Connect Wiring Box	#WIREBOX
High Ceiling Chimney Kit - Upper and Lower Chimney Flue to replace the original flue's to fit up to 11' ceilings	#HIGH3
Ductless Kit - Includes Ductless Diverter, Charcoal Filters	#DUCT4

TOOLS NEEDED

TOOL	
Tape Measure	
Pencil	
Electric Drill with 5/16" Drill Bit	
Phillips Screwdriver	
Torx Screwdriver	
Metal sheers	
Work gloves	

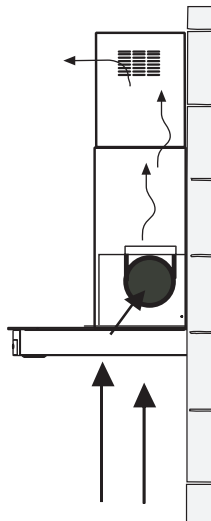
VENTING METHOD

1 Option 1: REAR OR TOP VENTED Ducted Venting Installation



Option 2: RECIRCULATING Non ducted - recirculation

Requires purchase of Activated Charcoal Accessory kit.



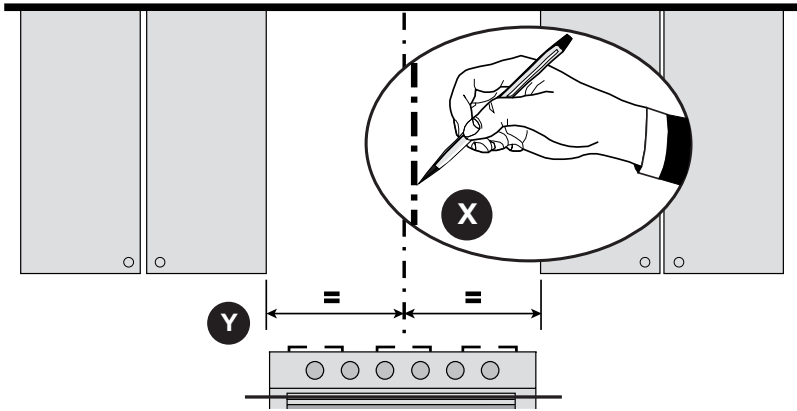
INSTALLING

2

DRAW CENTER LINES

Draw a vertical line **X** on the supporting wall to the ceiling or upper limit, at the center of the area in which the hood will be installed.

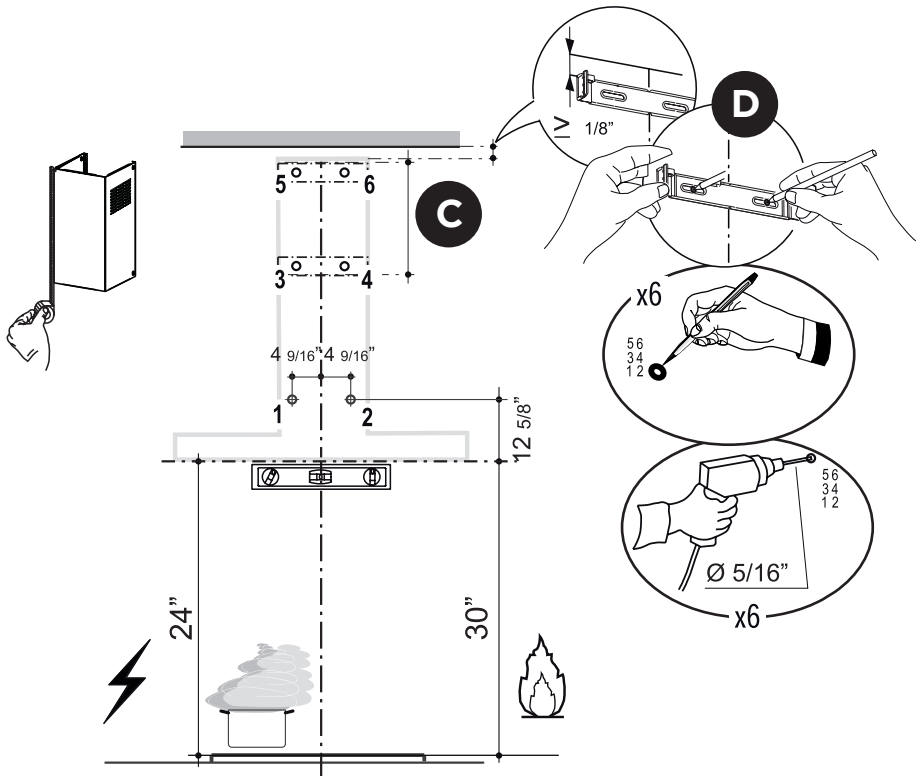
Draw a horizontal line **Y** where the bottom edge of the hood will be located, a minimum of 24" above an electric cooking surface and 30" above a gas cooking surface.



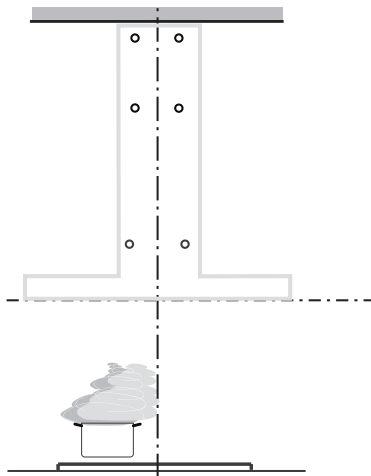
MIN. 24" OVER ELECTRIC/MIN. 30" OVER GAS

3

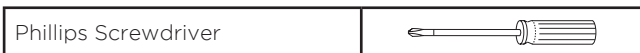
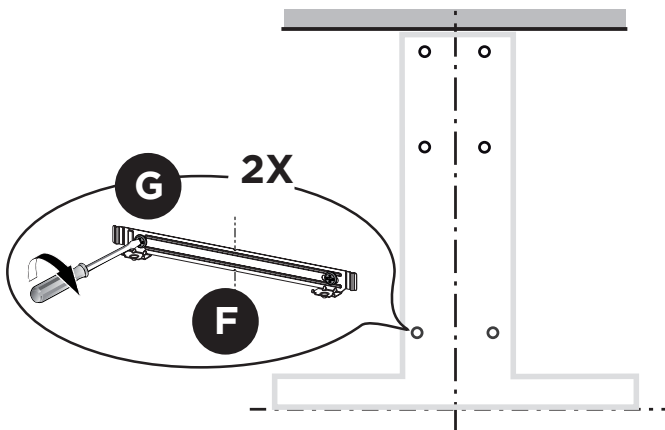
1. Place a bracket **D** on the wall as shown about 1/8" from the ceiling or upper limit, aligning the center (notch) with the vertical reference line **X** and mark the wall at the centers of the holes in the bracket.
2. Place the second bracket **D** on the wall as shown, below the first bracket, at the height of the upper chimney section **C** supplied and aligning the center (notch) with the vertical line.
3. Mark the wall at the centers of the holes in the bracket and mark the point 1 and 2 for the Hood Body installation as shown (12 5/8" from the horizontal line and 4 9/16" from the vertical line).
4. Drill \varnothing 5/16" holes at all the center points marked (point 1,2,3,4,5,6) as shown.



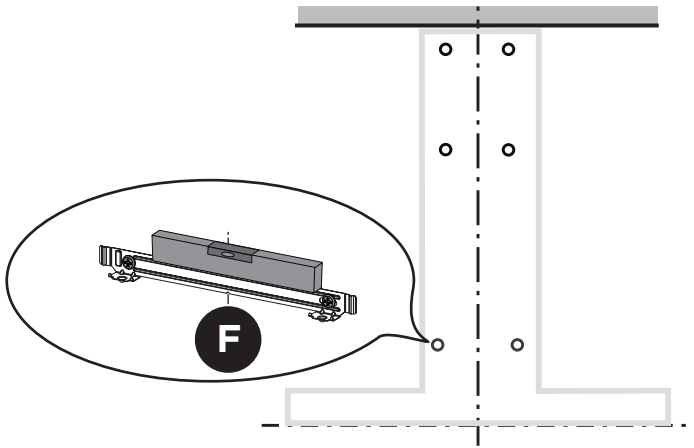
4 Installation screws provided must be secured with wall plugs (purchase separately).



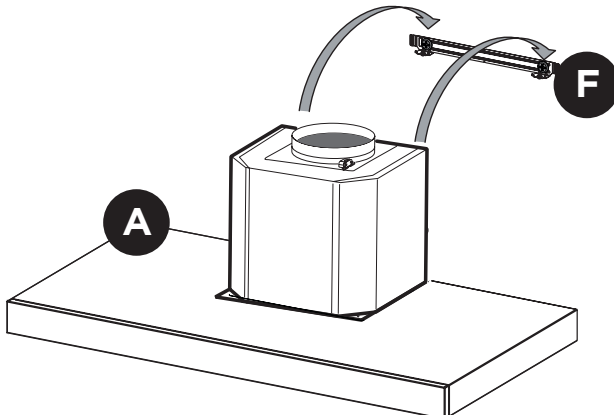
5 Insert the two screws **G** supplied with the hood into the Wall Bracket **F** as shown and do not tighten all the way to wall leaving 3/16" of the screw heads exposed.



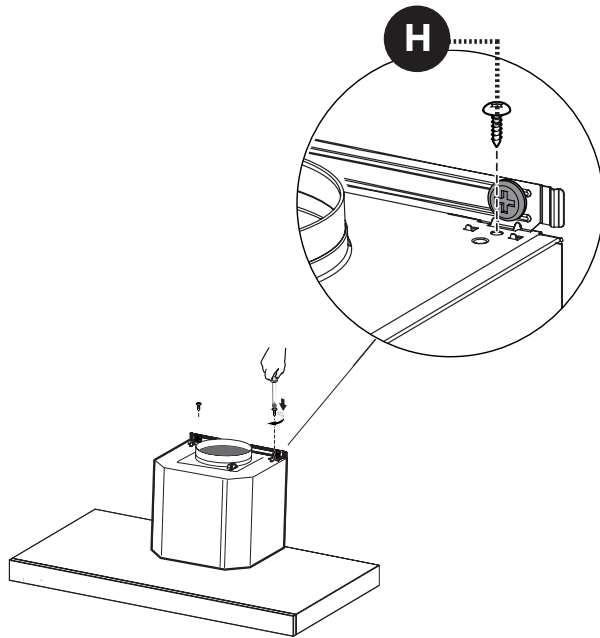
- 6 Use a level to insure that Wall Bracket **F** is level and then fully secure the two screws.



- 7 Hook the hood body onto the hood wall bracket **F**.

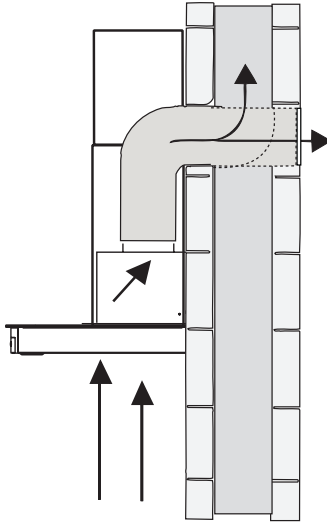


8 Tighten the 2 screws **H** as shown.



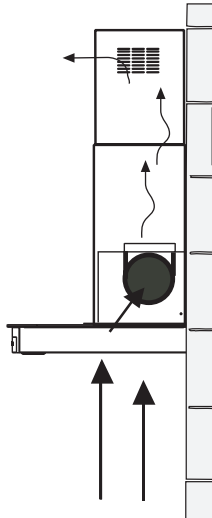
CHOOSING VENTING METHOD

VENTED



Go to Pg.18

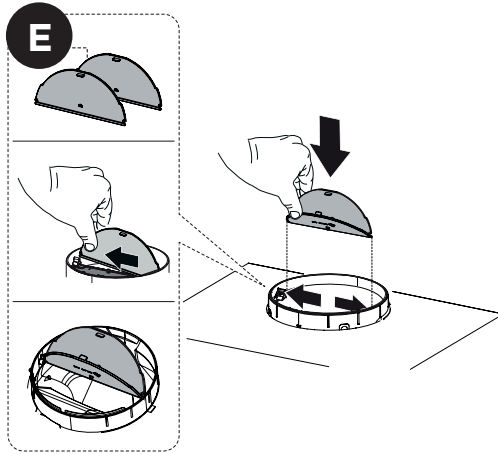
RECIRCULATING



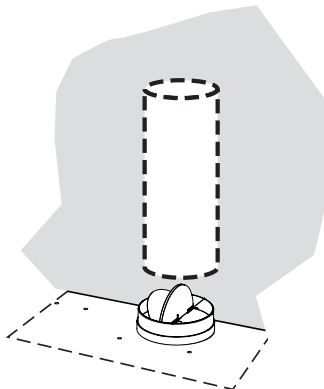
Go to Pg.22

ATTACH VENTING: DUCTED

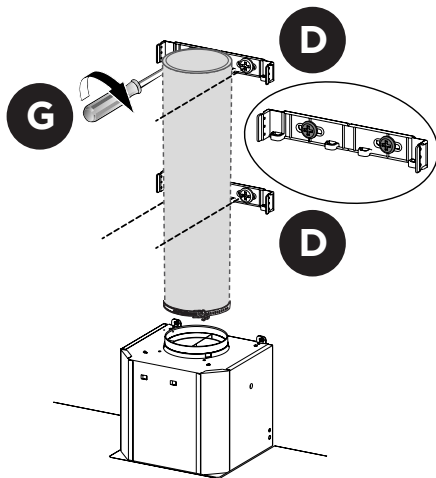
- 1 Install the Damper flaps **E** that are included with hood by snapping the tabs into place inside the top of the hood before connecting ductwork.



- 2 Install Roof or Wall Cap purchased separately. Connect the 6" metal ductwork to the Roof or Wall Cap and then attach ductwork. Seal with foil tape.

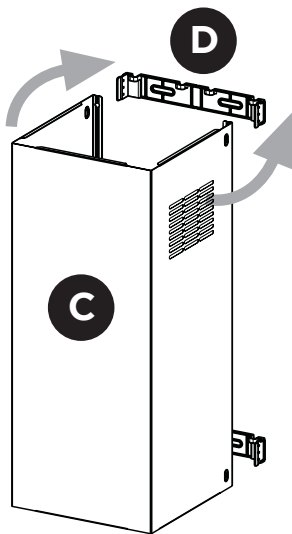


- 3** Install the 2 Chimney brackets **D** to the middle and upper holes and secure with screws **G** as shown.

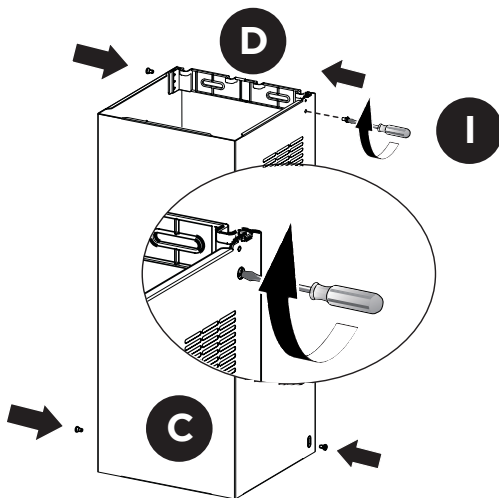


Phillips Screwdriver	
----------------------	---

- 4 Slightly widen the two sides of the upper chimney **C** and hook them behind the brackets **D**, making sure that they are well seated.



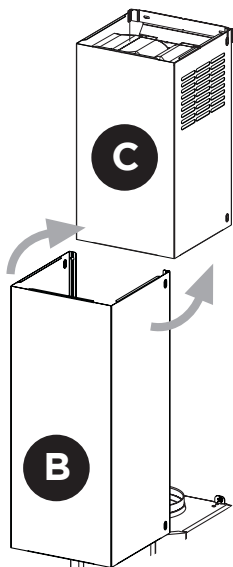
- 5 Secure the sides to the brackets by using the 4 screws **I**.



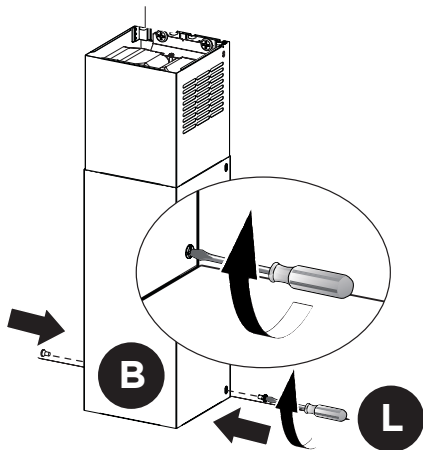
Torx Screwdriver



- 6** Slightly widen the two sides of the the lower chimney hood **B** and hook them between the upper section and the wall, making sure that they are properly housed.



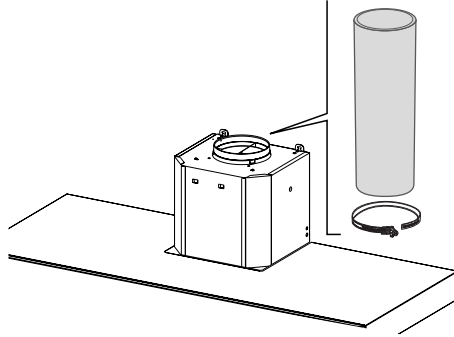
- 7** Install the the lower chimney hood **B** laterally to the hood body using the 2 screws **L** supplied.



ATTACH VENTING: NON DUCTED RECIRCULATING

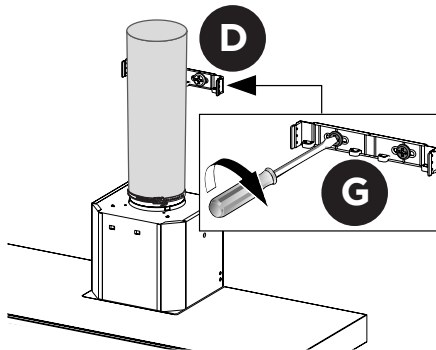
1

Only for the recirculation version, connect the hood to the Air outlet. Connect 6" metal ductwork to the hood air outlet with foil tape. The 6" ducting needs to be cut to the size of the distance between the air exit and the ductless diverter (see the next page).

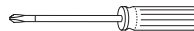


2

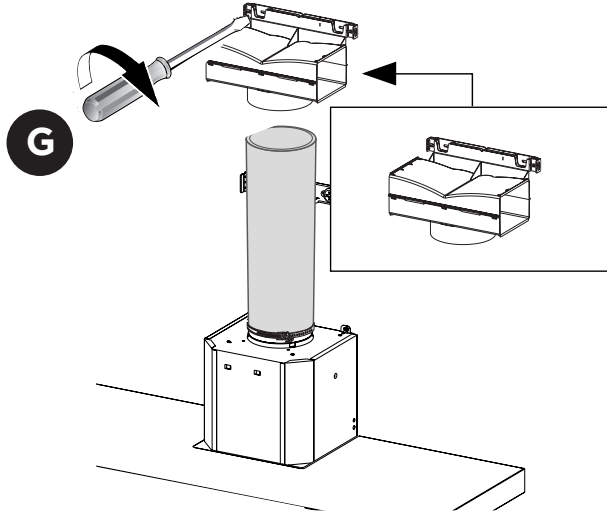
Install the lower Bracket **D** with two screws **G** supplied as shown.



Phillips Screwdriver



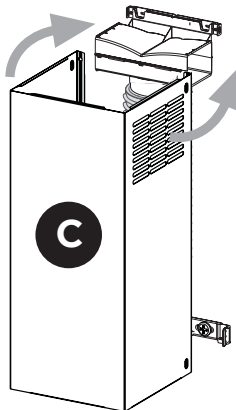
- 3** Install the Ductless Diverter (not supplied) with the two screws **G** supplied as shown.



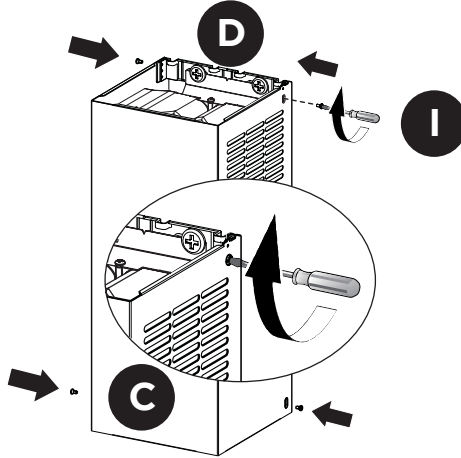
Required Ductless
Diverter Accessory -
sku #DUCT4



- 4** Slightly widen the two sides of the upper chimney **C** and hook them behind the brackets and connect to the Ductless Diverter, making sure that they are well seated.



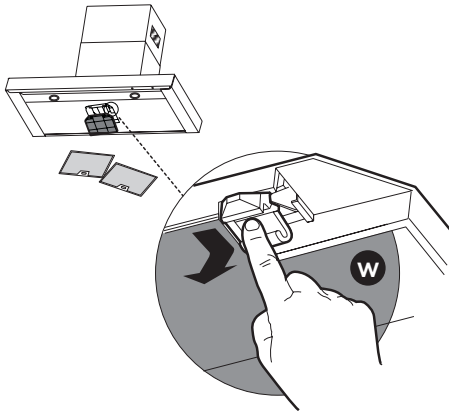
- 5 Secure the sides to the brackets **D** by using the 4 screws **I**.



Torx Screwdriver



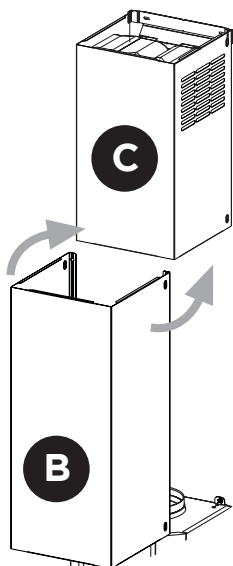
- 6 Attach a charcoal filter in the correct position and block it by the attaching hooks as shown. Unlock the hooks (push towards the back of the hood) to remove.



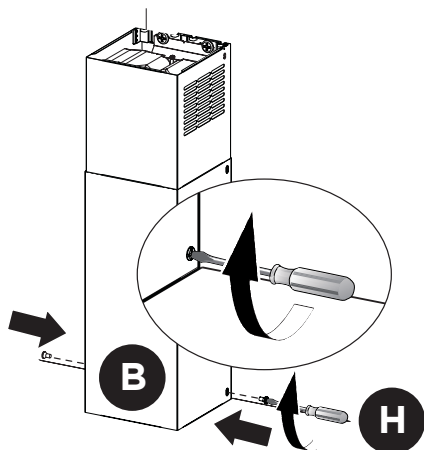
Required Activated Charcoal
Filter Accessory - sku #FILTER2
(purchased separately)



- 7** Slightly widen the two sides of the the lower chimney hood **B** and hook them between the upper section and the wall, making sure that they are properly housed.



- 8** Fix the the lower chimney hood **B** laterally to the hood body using the 2 screws **H** supplied.



Phillips Screwdriver	
----------------------	---

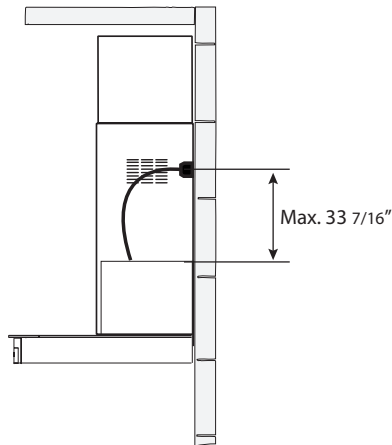
CONNECTING HOUSE POWER

GROUNDING INSTRUCTIONS

This appliance must be grounded. In the event of an electrical short circuit, grounding reduces the risk of electric shock by providing an escape wire for the electric current. This appliance is equipped with a cord with a grounding wire and grounding plug. The plug must be plugged into an outlet that is properly installed and grounded.

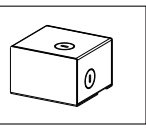
WARNING - Improper grounding can result in a risk of electric shock. Consult a qualified electrician if the grounding instructions are not completely understood, or if doubt exists as to whether the appliance is properly grounded.

Do not use an extension cord. If the power supply cord is too short, have a qualified electrician install an outlet near the appliance.



ELECTRICAL INSTALLATION WITH OPTIONAL WIRING BOX

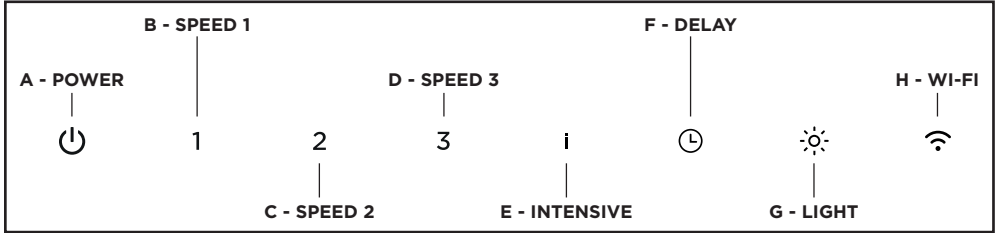
For permanent wiring, use only the Direct Connect Wiring Box accessory sku WIREBOX, manufactured by Faber.





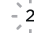

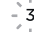






<p>Direct Connect Wiring Box Accessory sku #WIREBOX (purchased separately)</p>	
--	---




OPERATING THE CONTROLS

FOR BEST RESULTS

Start the Range Hood several minutes before cooking to develop proper airflow. Allow the Range Hood to operate for several minutes after cooking is complete to clear all smoke and odors from the kitchen.






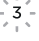

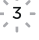

BUTTON	FUNCTION	INDICATOR
	A - POWER - A quick press turns the motor off.	-
1	B - SPEED 1 - A quick press turns the motor on at speed one.	 + 
	Reset Grease Filter and / or Charcoal Filter Alarm - A long press with the motor and lights off to reset the filter wash alarms.	All LED's flash 3 times.
2	C - SPEED 2 - A quick press turns the motor on at speed two.	 + 
	Activate / Deactivate charcoal filter alarm - A long press with the lights on and motor off will activate or deactivate the charcoal alarm.	All LED's flash twice (alarm activated). All LED's lit (alarm deactivated).
3	D - SPEED 3 - A quick press turns the motor on at speed three.	 + 
	E - INTENSIVE - A quick press will operate intensive speed for 6 minutes.	 - 
i	At the end of the 6 minutes the hood returns to the speed that was set before. If intensive is set with the motor turned off, the hood will turn off after 6 minutes.	
	F - DELAY - Activate / Deactivate the Delay function: A Long press with the motor On and lights Off: (The motor and lights will shut off after 15 minutes).	 On until the hood switch Off.
	G - LIGHT - Light button: On/Off switch for the lights.	

BUTTON	FUNCTION	INDICATOR
	H - WI-FI	
	Grease Filter Alarm - If the speed one and intensive buttons are lit, this means the Grease Filter saturation alarm is activated and the grease filters should be washed. The alarm turns on after 100 hours of operation.	
	Charcoal Filter Alarm - If the alarm is activated, the speed two and intensive lights will blink. This means the Charcoal filters should be replaced and the grease filters should be washed. The charcoal filter alarm turns on after 200 hours of operation.	

WI-FI CONNECTIONS

This device complies with part 15 of the FCC Rules.

Operation is subject to the following two conditions: (1) This device may not cause harmful interference, and (2) this device must accept any interference received, including interference that may cause undesired Operation.

BUTTON	FUNCTION	INDICATOR
	<p>H - WI-FI - Activate / Deactivate the Wi-Fi Connection function. A long Press of the button with motor and lights Off to activate / deactivate the WI-FI.</p> <p>Note: the Wi-Fi function is automatically activated when the user requests the Wi-Fi configuration procedure.</p>	<p>On: </p> <p>Off: </p>
	<p>A long press of the button (with lights On) starts the procedure for WI-FI configuration.</p>	<p> +  flashing.</p>
	<p>Configuration active.</p>	<p> +  On for 2 seconds.</p>

WI-FI CONNECTIONS

This device complies with Part 15 of the FCC rules. Operation is subject to the following two conditions: (1) this device may not cause harmful interference, and (2) this device must accept any interference received, including interference that may cause unwanted operation.

Note: This equipment has been tested and found to comply with the limits for a Class B digital device, pursuant to Part 15 of the FCC Rules. These limits are designed to provide reasonable protection against harmful interference in a residential installation. This equipment generates, uses and can radiate radio frequency energy and, if not installed and used according to the instructions, can cause harmful interference to radio communications. However, there is no guarantee that interference will not occur in a particular installation.

If this equipment causes harmful interference to radio or television reception, which can be determined by turning the equipment off and on again, the user is invited to try to correct the interference by taking one or more of the following measures:

- Reorient or reposition the receiving antenna.
- Increase the separation between the equipment and the receiver.
- Connect the equipment to an outlet on a circuit other than the one to which the receiver is connected.
- Consult your dealer or an experienced radio/TV technician for assistance.

Modifications to this product not authorized by Faber may invalidate electromagnetic compatibility (EMC) and wireless compliance and deny permission to use the product.

This product demonstrated EMC compliance under conditions that included the use of compliant peripheral devices and shielded cables between system components. It is important to use compliant peripherals and shielded cables between system components to reduce the possibility of causing interference to radios, televisions, and other electronic devices.

Exposure to radio frequency energy. The radiated output power of this device meets the limits of FCC & IC radio frequency exposure limits. This device should be used with a minimum separation distance of 20 cm (8 inches) between the equipment and a person's body.

Connected Appliance Information

Contains FCC ID:2AC7Z-ESPWROOM32D

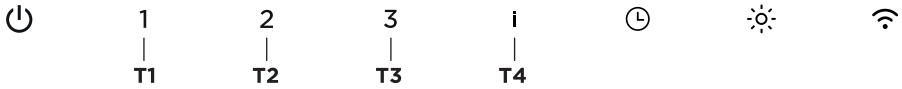
Contains IC:21098-ESPWROOM32D

Model: ESP32-WROOM-32D

CAN ICES-003(B)/NMB-003(B)

CFM ADJUSTMENT < 295CFM

To start the process make sure the hood lights are On and motor is Off.



- 1) Press and hold **T1** for 5 seconds until **T1 - T2 - T3 - T4** flash for 3 seconds.
- 2) Press **T1** until the LED's flash.
- 3) Press **T1** again to confirm and **T1 - T2 - T3 - T4** flash for 3 seconds (pressed within 10 seconds).
- 4) The four LED's will flash again to confirm you have finished the CFM adjustment to less than 295 CFM.
- 5) Apply the under 295 CFM label inside the hood (behind the grease filters) near the rating label for inspection and on the front of your installation/user manual.
- 6) To confirm your setting for inspection, **T1** and **T2** buttons will always operate the hood at speed 1 or speed 2. The highest speed (**T3**) and the intensive speed (**T4**), will also no longer operate.

Note: **T2** and **T3** buttons will now operate at the same level and the Intensive Speed will be deactivated.

Attention: When the under 295 CFM adjustment is completed, it is no longer possible to change this setting to the original CFM level.

ATTENTION: For a correct functioning of the FABER CLOUD APP, when this procedure is completed disconnect the plug from the power supply, and reconnect it again.

CFM ADJUSTMENT < 395CFM

To start the process make sure the hood lights are On and motor is Off.



- 1) Press and hold **T2** for 5 seconds until **T1 - T2 - T3 - T4** flash for 3 seconds.
- 2) Press **T2** until the LED's flash.
- 3) Press **T2** again to confirm and **T1 - T2 - T3 - T4** flash for 3 seconds (pressed within 10 seconds).
- 4) The four LED's will flash again to confirm you have finished the CFM adjustment to less than 395 CFM.
- 5) Apply the under 395 CFM label inside the hood (behind the grease filters) near the rating label for inspection and on the front of your installation/user manual.
- 6) To confirm your setting for inspection, **T1** and **T2** and **T3** buttons will always operate the hood at speed 1 or speed 2 or speed 3. The intensive speed (**T4**), will also no longer operate.

Note: The Intensive Speed will be deactivated.

Attention: When the under 395 CFM adjustment is completed, it is no longer possible to change this setting to the original CFM level.

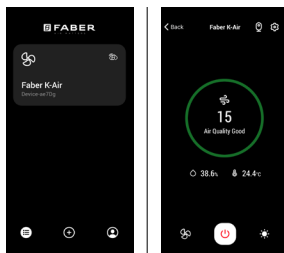
ATTENTION: For a correct functioning of the FABER CLOUD APP, when this procedure is completed disconnect the plug from the power supply.and reconnect it again.












FABER CLOUD APP

Faber Cloud App

Your range hood is compatible with the Faber Cloud app. All you need is a Internet connected Wi-Fi network that is within range of the range hood. You can control all the functions of your range hood from anywhere using a mobile device or your Amazon Alexa or Google Home smart speaker. When connected to your smart speaker, you can control your hood with your voice. The Faber Cloud app is available on iOS devices using iOS 11.0 or later or Android devices using Android version 8 or later. Visit the Apple App Store or Google Play Store for more information. Your range hood will have full functionality if you are not using the Wi-fi or the Faber CCloud App features, neither are required.

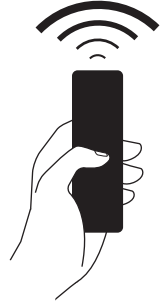
Please review the included Quick Connect Start Guide for more information.



Icon	Function
	Home page
	Add new device
	User profile management
	Connected to Faber Wi-Fi network
	Hood on/off
	Lighting system management
	Motor speed management
	Intensive Function
	Delay Function
	24H function
	App settings management

REMOTE CONTROL

The remote control replicates the functions of the control panel the hood #REMORIG



CLEANING STAINLESS STEEL

Cleaning Exterior surfaces:

Please note, abrasives and scouring agents can scratch range hood finishes and should not be used to clean finished surfaces.

Stainless Steel finish cleaning instructions:

Clean exterior surfaces with a commercially available stainless steel cleaner.

CARING FOR FILTERS

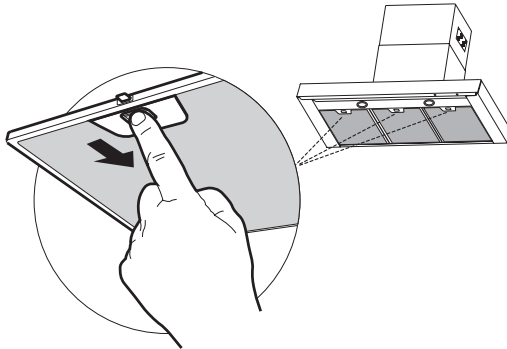
CLEANING METAL GREASE FILTERS

The filters must be cleaned every 2 months of operation, or more frequently for particularly heavy usage, and can be washed in a dishwasher.

- Remove the Filters one at a time, pushing them towards the back of the unit and at the same time pulling downward.
- Wash the Filters without bending them, and leave them to dry completely before replacing. (If the surface of the filter changes colour as time goes by, this will have absolutely no effect on the efficiency of the filter itself.)
- Replace, taking care to ensure that the handle faces forwards.
- No water can be present in filters before installing back in hood.

CAUTION:

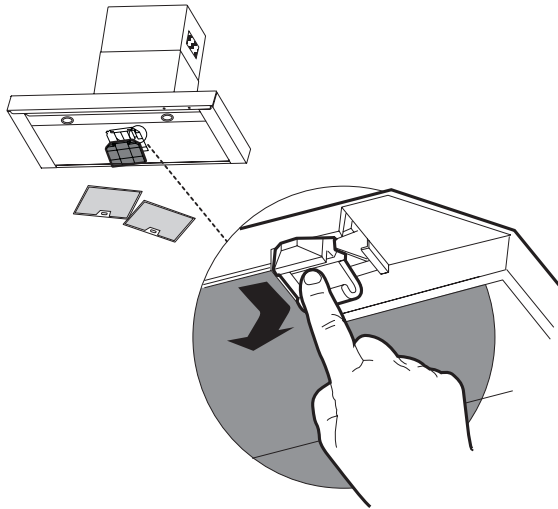
Completely dry the Grease Filters after washing.



REPLACING ACTIVATED CHARCOAL FILTER

The filter is not washable and cannot be regenerated, and must be replaced approximately every 4 months of operation, or more frequently for particularly heavy usage.

- Remove the Filters one at a time, pushing them towards the back of the unit and at the same time pulling downward.
- Remove the saturated charcoal filter by releasing the hooks.
- Fit the new filter and fasten it in its correct position.
- Replace, taking care to ensure that the handle faces forwards.
- "When used in recirculation mode, to Reduce the Risk of Fire and Shock use only conversion kit Model FILTER2".



REPLACING BULBS

LED lights must be replaced by Faber factory authorized service.

WARRANTY



Franke Home Solutions Warranty for Franke and Faber Branded Product Effective March 1, 2022

In the United States, Canada and Latin America, Franke warrants the Faber branded products from manufacturing defects in material and workmanship when purchased from a Franke or Faber Authorized Retailer pursuant to product-specific warranties detailed herein (each, a "Warranty" and collectively, the "Warranties"). The products must be properly installed, per Franke's installation instructions, in their original installation, and used in normal indoor residential kitchen applications. Any products or components which have been modified or altered from their original intended condition will void the Warranty. The Franke Warranties for Faber branded products are limited to the original purchaser and are non- transferrable. These Warranties do not include products purchased from non-Authorized Retailers, products that are obsolete or discontinued, or products that were previous display models. All issues with installed products are considered warranty claims and not subject to the Return Policy. Franke reserves the right to inspect any Franke / Faber product reported to be defective pursuant to a Warranty claim and the original installation prior to providing a replacement product and/or component. All decisions are final. In no situation shall the liability of Franke exceed the amount of the original purchase price.

The Warranties do not cover, and Franke shall not be liable for, any damage to products or components resulting from misuse or abuse, accidental damages, normal wear such as scuffs, scratches or finish reduction/fading, improper installation, abnormal usage, negligence, damage caused by improper maintenance or cleaning. Damage caused by impurities, corrosive chemicals or acts beyond Franke's control are not covered by any Warranty. Service calls to correct the installation of a range hood, instructions on how to operate a range hood, to replace or repair house fuses or to correct house wiring or plumbing are not covered by any Warranty. Service calls to repair or replace range hood light bulbs, fuses or filters and these consumable part costs are also excluded from Warranty coverage. Installation not in accordance with electrical or plumbing codes or Franke / Faber documentation are not covered by any Warranty. Replacement parts or repair labor costs for units operated outside the United States, Canada or Latin America, including any non-UL or C-UL or non-NOM approved Franke / Faber range hoods are excluded from Warranty coverage. Expenses for travel and transportation for service in remote locations and pickup and delivery charges are not covered by any Warranty. Franke / Faber range hoods should always be serviced in the home in their original installation.

Franke / Faber product replacements do not include liability for project delays. Product replacements are not guaranteed to be exact replacements. If the original product is not available at the time of the warranty claim, at Franke's option, the product replacements will be of similar size, material, and value. Any products or components which have been modified or altered, from its original intended condition will void the warranty.

The Warranties do not allow recovery of incidental or consequential damages such as loss of use, delay, property damage or other consequential damage, and Franke accepts no liability for such damages. Each Warranty is limited to the conditions set forth herein and to the applicable warranty period specified herein and is exclusive. EXCEPT FOR THE WARRANTIES SET FORTH HEREIN, FRANKE MAKES NO WARRANTY WHATSOEVER WITH RESPECT TO THE PRODUCTS, INCLUDING, BUT NOT LIMITED TO, (1) ANY WARRANTY OF MERCHANTABILITY, (2) WARRANTY OF FITNESS FOR A PARTICULAR PURPOSE, (3) WARRANTY OF TITLE, OR (4) WARRANTY AGAINST INFRINGEMENT OF INTELLECTUAL PROPERTY RIGHTS OF A THIRD PARTY, WHETHER EXPRESS OR IMPLIED BY LAW, COURSE OF DEALING, COURSE OF PERFORMANCE, USAGE OF TRADE OR OTHERWISE. LEGAL DISCLAIMER PLEASE READ CAREFULLY. Franke Kitchen Systems LLC provides the above information to you as a public service to our customers. By accessing and using this information, you agree to the following and to comply with all applicable laws. If you do not agree with these terms and conditions, do not use this information. While we try to keep the information current, changes may have occurred since its creation. Contact your Regional Manager or Customer Service to verify information regarding Franke Kitchen Systems LLC programs and their use by you.

Franke / Faber Range Hood Limited Warranty:

Franke / Faber range hoods are warranted against any defect in materials or workmanship for the original purchaser for a period of two (2) years from the date of original purchase when used in standard residential indoor applications. This warranty covers labor and replacement parts. Franke, at its option, may repair or replace the product or components necessary to restore the product to good working condition.



This warranty supersedes all other warranties, expressed or implied. No employee, field sales representatives, or distribution persons are authorized to give any warranties on behalf of Franke Kitchen Systems, LLC

To make an installed product warranty claim please contact Franke at the provided contact information below. All warranty claims must include the following for processing:

1. Proof of purchase from Franke or Faber Authorized Retailer
2. Original purchaser's name, address (included city, state, zip), email address and phone number
3. Franke / Faber model and serial number
4. Date of installation
5. Description of the defect
6. Photos of the defect

In North America and Latin America:

Franke Home Solutions
Attn: Warranty Department
800 Aviation Parkway
Smyrna, TN 37167
HS-Warranty.US@Franke.com

Legal Entity:
Franke Kitchen Systems LLC

CONTENU

Section	Page
CONSIGNES DE SÉCURITÉ IMPORTANTES	41
DIMENSIONS DE LA HOTTE	44
EXIGENCES EN MATIÈRE DE HAUTEUR D'INSTALLATION	45
PIÈCES	46
OUTILS NÉCESSAIRES	48
MÉTHODE DE VENTILATION	49
INSTALLATION	50
CHOIX DE LA MÉTHODE DE VENTILATION	55
FIXATION DE LA VENTILATION : AVEC CONDUIT	56
FIXATION DE LA VENTILATION : RECIRCULATION SANS CONDUIT	60
RACCORDEMENT AU RÉSEAU ÉLECTRIQUE DE LA MAISON	64
UTILISATION DES COMMANDES	65
APPLICATION FABER CLOUD	71
TÉLÉCOMMANDE	72
NETTOYAGE DE L'ACIER INOXYDABLE	73
ENTRETIEN DES FILTRES	73
REPLACEMENT DES AMPOULES	74
SCHÉMA DE CÂBLAGE	75
GARANTIE	76

CONSIGNES DE SÉCURITÉ IMPORTANTES

LISEZ ET SAUVEGARDEZ CES CONSIGNES AVANT DE COMMENCER L'INSTALLATION DE CETTE Hotte de cuisinière

AVERTISSEMENT : - POUR RÉDUIRE LE RISQUE D'UN FEU DE GRAISSE SUR LA CUISINIÈRE :

- a) Ne laissez jamais les unités de surface sans surveillance à des valeurs de réglage élevés. Les débordements provoquent des fumées et peuvent s'enflammer s'ils sont gras. Faites chauffer les huiles lentement à feu doux ou moyen.
- b) Mettez toujours la hotte EN MARCHÉ lorsque vous cuisinez à feu vif ou lorsque vous flambez des mets (par exemple, des crêpes Suzette, des cerises Jubilé, du bœuf au poivre flambé).
- c) Nettoyez fréquemment les ventilateurs. La graisse ne doit pas s'accumuler sur le ventilateur ou le filtre.
- d) Utilisez une casserole de taille appropriée. Utilisez toujours des ustensiles de cuisson adaptés à la taille de l'élément de surface.

AVERTISSEMENT : - POUR RÉDUIRE LES RISQUES DE BLESSURES EN CAS DE FEU DE GRAISSE SUR LE DESSUS DE LA CUISINIÈRE, RESPECTEZ LES CONSIGNES SUIVANTES* :

- a) ÉTOUFFEZ LES FLAMMES avec un couvercle hermétique, une plaque à biscuits ou un plateau métallique, puis éteignez le brûleur. VEILLES À ÉVITER LES BRÛLURES. Si les flammes ne s'éteignent pas immédiatement, ÉVACUEZ ET APPELEZ LES POMPIERS.
- b) Ne RAMASSEZ JAMAIS UNE CASSEROLE ENFLAMMÉE - Vous pourriez vous brûler.
- c) N'UTILISEZ PAS D'EAU, y compris des torchons ou des serviettes humides - une violente explosion de vapeur en résulterait.
- d) Utilisez un extincteur UNIQUEMENT si :
 1. Vous savez que vous avez un extincteur de classe ABC et vous savez déjà comment l'utiliser.
 2. Le feu est petit et limité dans la zone où il s'est déclenché.
 3. Les pompiers ont été appelés.
 4. Vous pouvez combattre le feu en tournant le dos à une sortie.

* Basé sur les « Conseils de sécurité pour la cuisine » publié par la NFPA

AVERTISSEMENT - POUR RÉDUIRE LE RISQUE D'INCENDIE OU DE CHOC ÉLECTRIQUE, n'utilisez pas ce ventilateur avec un dispositif de contrôle de vitesse à semi-conducteurs.

AVERTISSEMENT - POUR RÉDUIRE LES RISQUES D'INCENDIE, DE CHOC ÉLECTRIQUE OU DE BLESSURE, RESPECTEZ LES CONSIGNES SUIVANTES :

- 1. N'utilisez cet appareil que conformément aux instructions du fabricant. Si vous avez des questions, contactez le fabricant.
- 2. Avant de procéder à l'entretien ou au nettoyage de l'appareil, coupez l'alimentation électrique au niveau du panneau de service et verrouillez le dispositif de déconnexion de service pour éviter toute remise sous tension accidentelle. Lorsque vous ne pouvez pas verrouiller le dispositif de déconnexion du service, fixez solidement un dispositif d'avertissement bien visible, tel qu'une étiquette, sur le panneau de service.

ATTENTION : Pour une utilisation générale de ventilation seulement. Ne l'utilisez

pas pour évacuer des matières et des vapeurs dangereuses ou explosives.

AVERTISSEMENT - POUR RÉDUIRE LES RISQUES D'INCENDIE, DE CHOC ÉLECTRIQUE OU DE BLESSURE, RESPECTEZ LES CONSIGNES SUIVANTES :

- 1. Confiez les travaux d'installation et le câblage électrique à une ou plusieurs personnes qualifiées, conformément à tous les codes et normes en vigueur, y compris les constructions résistantes au feu.**
- 2. Une quantité suffisante d'air est nécessaire pour une bonne combustion et l'évacuation des gaz par le conduit (cheminée) de l'équipement de combustion afin d'éviter le refoulement. Suivez les directives du fabricant de l'équipement de chauffage et les normes de sécurité telles que celles publiées par la National Fire Protection Association (NFPA) et l'American Society for Heating, Refrigeration and Air Conditioning Engineers (ASHRAE), ainsi que les autorités locales chargées du code.**
- 3. Lorsque vous coupez ou percez un mur ou un plafond, n'endommagez pas le câblage électrique et les raccordements aux services utilitaires cachés.**
- 4. Les ventilateurs à conduit doivent toujours être évacués vers l'extérieur.**

TOUTES LES OUVERTURES DANS LES MURS ET LES PLANCHERS où la hotte EST INSTALLÉE DOIVENT ÊTRE SCELLÉES.

Cette hotte nécessite un dégagement d'au moins 24" entre le bas de la hotte et la surface de cuisson ou le comptoir. Elle a été approuvée par les LA à cette distance de la table de cuisson.

Ce dégagement minimum peut être plus élevé selon les codes du bâtiment locaux. Pour les tables de cuisson au gaz et les cuisinières combinées, un minimum de 30" est recommandé et peut être exigé.

Les armoires suspendues des deux côtés de l'appareil doivent se trouver à au moins 18" au-dessus de la surface de cuisson ou du comptoir. Consultez les instructions d'installation de la table de cuisson ou de la cuisinière données par le fabricant avant de faire des découpes.

INSTALLATION DANS DES MOBIL-HOMES L'installation de cette hotte de cuisine doit être conforme aux normes de construction et de sécurité des maisons mobiles, titre 24 CFR, partie 3280 (anciennement norme fédérale pour la construction et la sécurité des mobil-homes, titre 24, HUD, partie 280). Voir la section Exigences électriques"

EXIGENCES EN MATIÈRE DE VENTILATION

Déterminez la méthode de ventilation qui convient le mieux à votre application. Les conduits peuvent passer soit par le mur, soit par le toit.

La longueur des conduits et le nombre de coudes doivent être réduits au minimum pour assurer une performance efficace. La taille des conduits doit être uniforme. N'installez pas deux coudes ensemble. Utilisez du ruban adhésif pour sceller tous les joints du système de conduits. Utilisez du calfeutrage pour sceller l'ouverture du mur extérieur ou du plancher autour du capuchon.

Les conduits flexibles ne sont pas recommandés. Ils créent une contre-pression et des turbulences d'air qui réduisent considérablement les performances.

Assurez-vous qu'il y a un dégagement approprié dans le mur ou le plancher pour le conduit d'évacuation avant de faire des découpes. Ne coupez pas une solive ou un montant à moins que cela ne soit absolument nécessaire. Si vous devez couper une solive ou un montant, veuillez construire un cadre de support.

AVERTISSEMENT - Pour réduire les risques d'incendie, utilisez uniquement des conduits métalliques.

ATTENTION - Pour réduire les risques d'incendie et pour évacuer correctement l'air, assurez-vous de canaliser l'air vers l'extérieur - Ne faites pas passer l'air évacué dans des espaces à l'intérieur des murs ou des plafonds ou dans des greniers, des vides sanitaires ou des garages.

Installations par temps froid

Veillez installer un clapet anti-retour supplémentaire pour minimiser le retour de l'air froid ainsi qu'un dispositif de coupure thermique non métallique pour minimiser la conduction des températures extérieures dans le système de ventilation. Le clapet doit se trouver du côté de l'air froid de la coupure thermique. La coupure doit être aussi près que possible de l'endroit où le système de ventilation entre dans la partie chauffée de la maison.



AVERTISSEMENT

- Le système de ventilation **DOIT** se terminer à l'extérieur de la maison.
- **NE PAS** faire aboutir le conduit dans un grenier ou un autre espace fermé.
- **NE PAS** utiliser de capuchons muraux de 4" de type blanchisserie.
- Les conduits de type flexible ne sont pas recommandés.
- **NE PAS** obstruer le flux d'air de combustion et de ventilation.
- Le non-respect des exigences en matière de ventilation peut entraîner un incendie.

EXIGENCES ÉLECTRIQUES

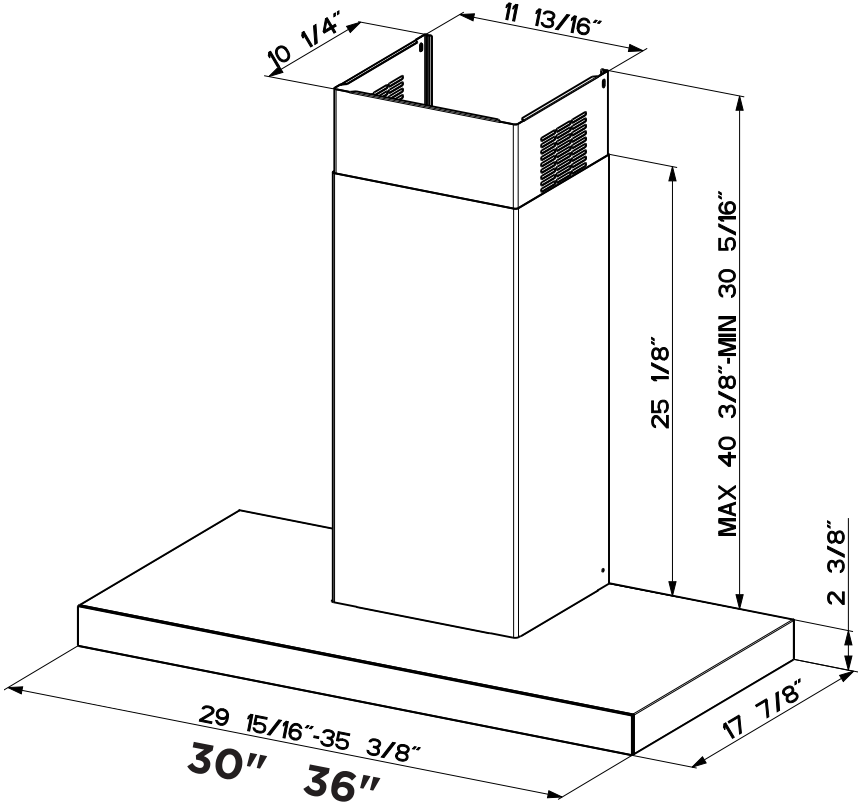
Une alimentation électrique de 120 volts, 60 Hz, uniquement en CA, est requise sur un circuit séparé à fusible de 15 ampères. Nous recommandons un fusible à retardement ou un disjoncteur. Le fusible doit être dimensionné en fonction des codes locaux et de la puissance électrique de l'appareil, comme indiqué sur la plaque signalétique située à l'intérieur de l'appareil, près du compartiment de câblage.



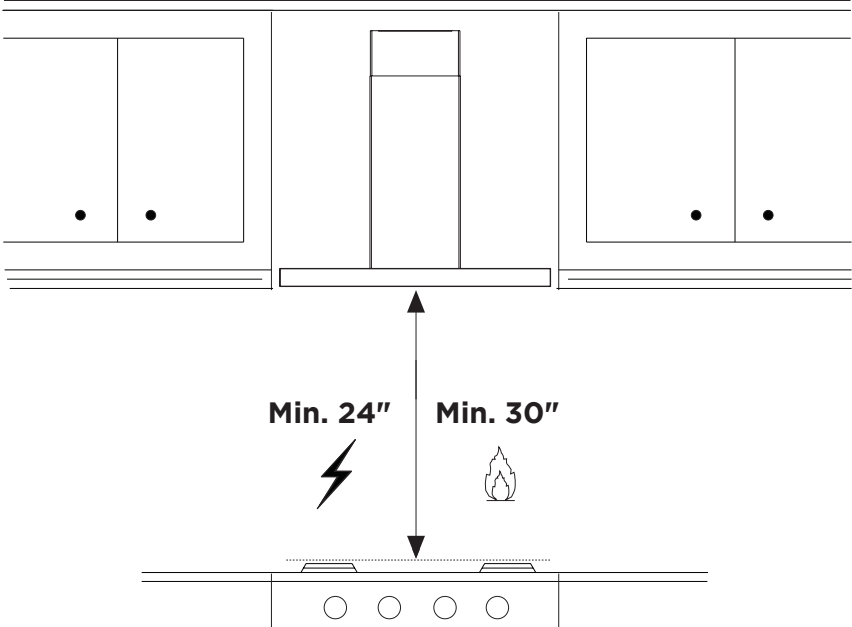
AVERTISSEMENT

- Une mise à la terre électrique est requise sur cette hotte.
- Si le tube d'eau froide est interrompu par du plastique, des joints non métalliques ou d'autres matériaux, **NE** l'utilisez **PAS** pour la mise à la terre.
- **NE** mettez **PAS** à la terre un tube de gaz.
- **N'ayez PAS** de fusible dans le circuit neutre ou de mise à la terre. Un fusible dans le circuit neutre ou de mise à la terre pourrait provoquer un choc électrique.
- Vérifiez auprès d'un électricien qualifié si vous avez des doutes quant à la mise à la terre de la hotte.
- Le non-respect des exigences électriques peut entraîner un incendie.

DIMENSIONS DE LA HOTTE



EXIGENCES EN MATIÈRE DE HAUTEUR D'INSTALLATION






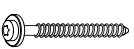




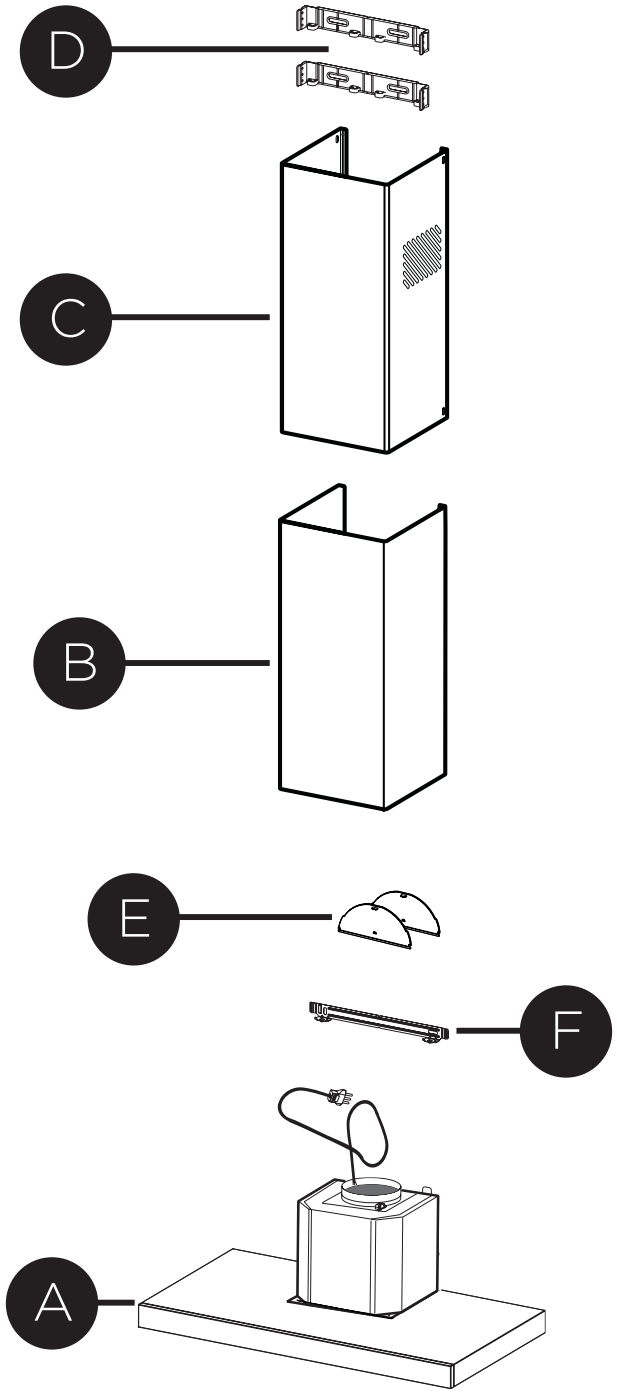
MIN. 24" SUR ÉLECTRIQUE
MIN. 30" SUR GAZ

PIÈCES

PIÈCES INCLUSES




RÉF.	PIÈCE	QTÉ
A	Corps de la hotte	1
B	Cheminée inférieure télescopique	1
C	Cheminée supérieure télescopique	1
D	Supports de cheminée	2
E	Volets du clapet	2
F	Supports muraux pour hotte	1

RÉF	PIÈCE			
G	Vis Pozi 3/16" x 1 3/4"			6
H	Vis Pozi (1/8" x 3/16")			2
I	Vis Torx 1/8" x 7/16"			4
L	Torx Torx (1/4" x 2 3/4")			2



PIÈCES (suite)








PIÈCES NÉCESSAIRES

PIÈCE	
Conduit métallique rond de 6"	
Cheilles de placoplâtre ou autres fixations murales appropriées en fonction de votre installation.	
Ruban d'aluminium	

ACCESSOIRES DISPONIBLES

ACCESSOIRES	SKU#
Filtre à charbon actif de rechange	#FILTER2
Télécommande sans fil	#REMORIG
Boîtier de câblage à connexion directe	#WIREBOX
Kit de cheminée pour plafond haut : conduit de cheminée supérieur et inférieur pour remplacer le conduit d'origine pour s'adapter à des plafonds jusqu'à 11'	#HIGH3
Kit sans conduit : comprend un déviateur sans conduit, des filtres à charbon	#DUCT4

OUTILS NÉCESSAIRES

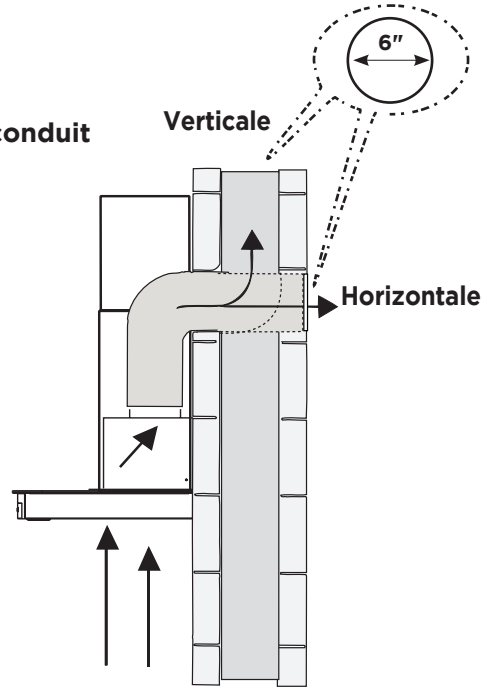
OUTIL	
Mètre ruban	
Crayon	
Perceuse électrique avec mèche de 5/16"	
Tournevis Phillips	
Tournevis Torx	
Ciseaux à métaux	
Gants de travail	

MÉTHODE DE VENTILATION

1

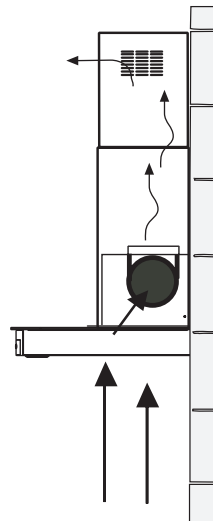
Option 1 : VENTILATION PAR L'ARRIÈRE OU PAR LE HAUT

Installation de ventilation avec conduit



Option 2 : RECIRCULATION Sans conduit - recirculation

Nécessite l'achat du kit d'accessoires pour charbon actif.



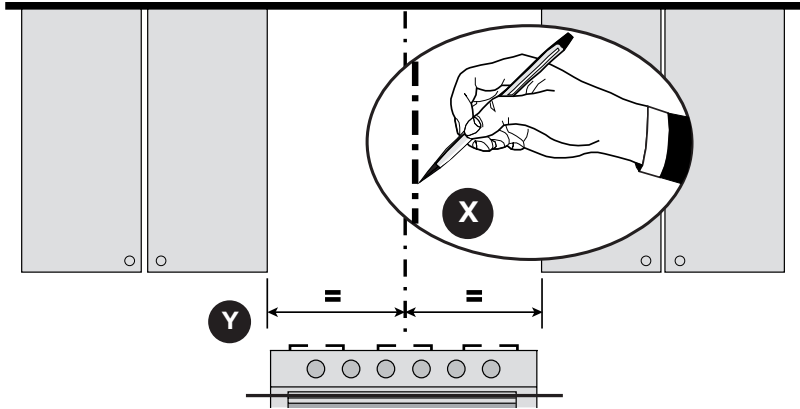
INSTALLATION

2

TRACEZ DES LIGNES CENTRALES

Tracez une ligne verticale **X** sur le mur porteur jusqu'au plafond ou la limite supérieure, au centre de la zone où la hotte sera installée.

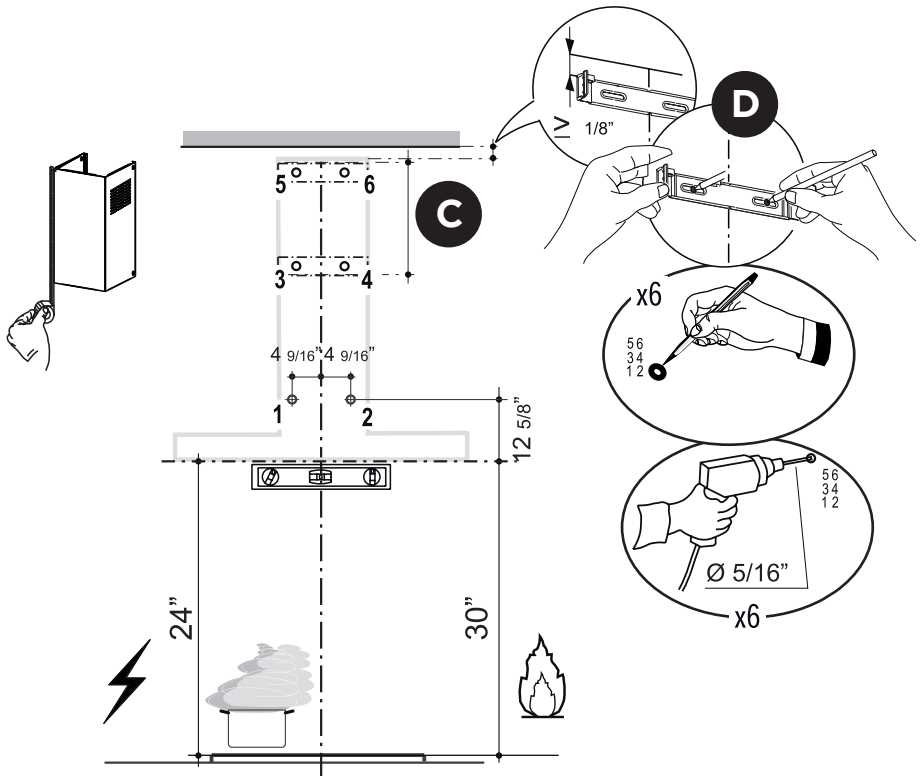
Tracez une ligne horizontale **Y** où le bord inférieur de la hotte sera situé, à un minimum de 24" au-dessus d'une surface de cuisson électrique et de 30" au-dessus d'une surface de cuisson au gaz.



MIN. 24" SUR ÉLECTRIQUE/MIN. 30" SUR GAZ

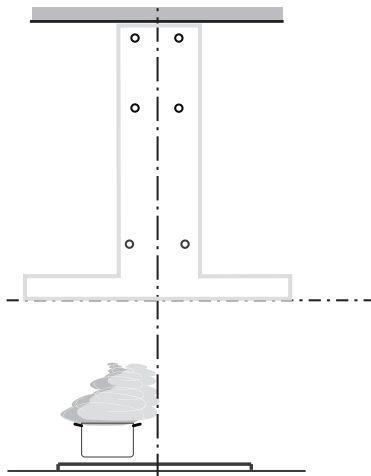
3

1. Placez un support **D** sur le mur comme indiqué à environ $1/8''$ du plafond ou de la limite supérieure, en alignant le centre (encoche) avec la ligne de référence verticale **X** et marquez le mur au centre des trous du support.
2. Placez le deuxième support **D** sur le mur comme indiqué sous le premier support, à la hauteur de la section de cheminée supérieure **C** fournie et en alignant le centre (encoche) avec la ligne verticale.
3. Marquez le mur au centre des trous du support et marquez les points 1 et 2 pour l'installation du corps de la hotte comme indiqué ($12\ 5/8''$ de la ligne horizontale et $4\ 9/16''$ de la ligne verticale).
4. Percez des trous de $\varnothing\ 5/16''$ à tous les points centraux marqués (points 1, 2, 3, 4, 5, 6) comme indiqué.



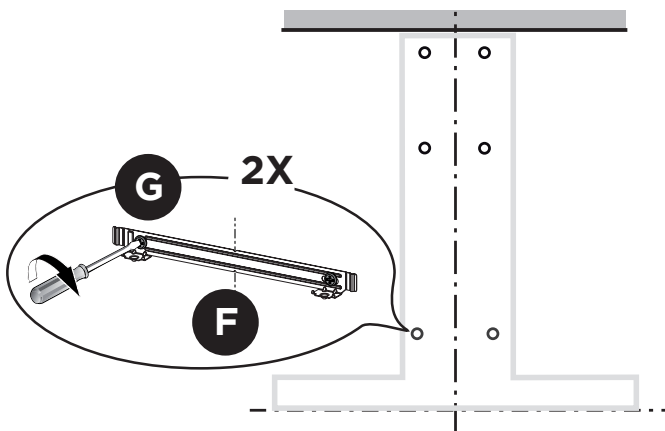
4

Les vis d'installation fournies doivent être fixées avec des chevilles (à acheter séparément).



5

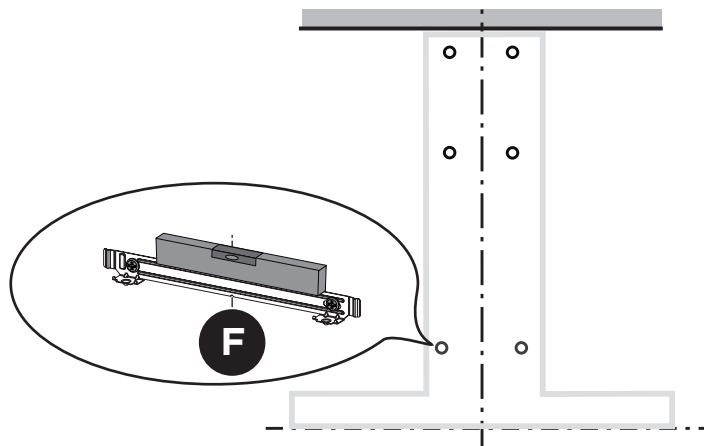
Insérez les deux vis **G** fournies avec la hotte dans le support mural **F** comme indiqué et ne serrez pas complètement au mur en laissant 3/16" des têtes de vis exposées.



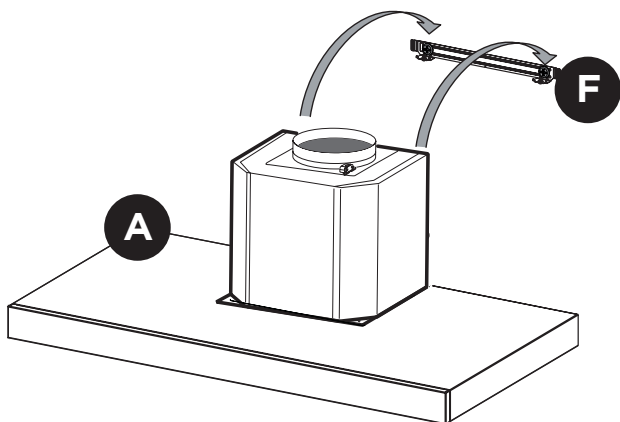
Tournevis Phillips



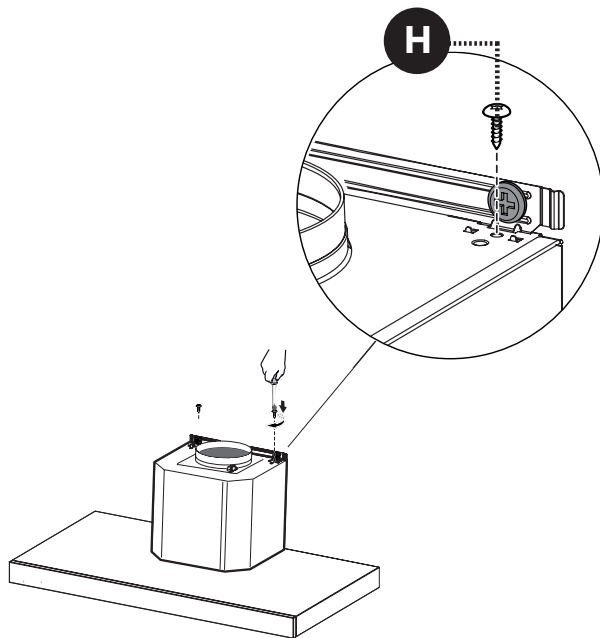
- 6 Utilisez un niveau pour vous assurer que le support mural **F** est de niveau, puis serrez complètement les deux vis.



- 7 Accrochez le corps de la hotte sur le support mural de la hotte **F**.

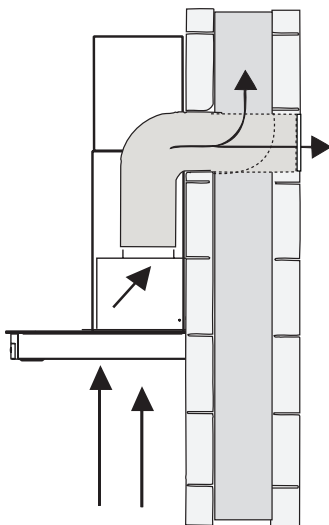


8 Serrez les 2 vis **H** comme indiqué.



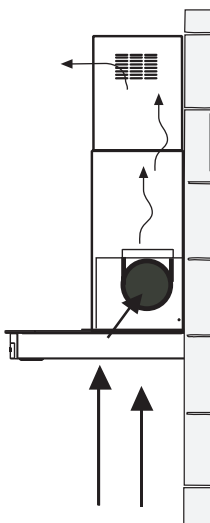
CHOIX DE LA MÉTHODE DE VENTILATION

VENTILÉ



Allez à la page 56

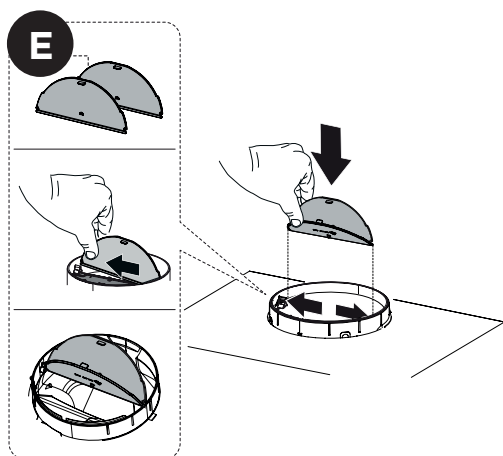
RECIRCULATION



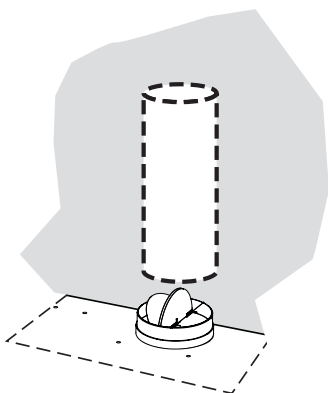
Allez à la page 60

FIXATION DE LA VENTILATION : AVEC CONDUIT

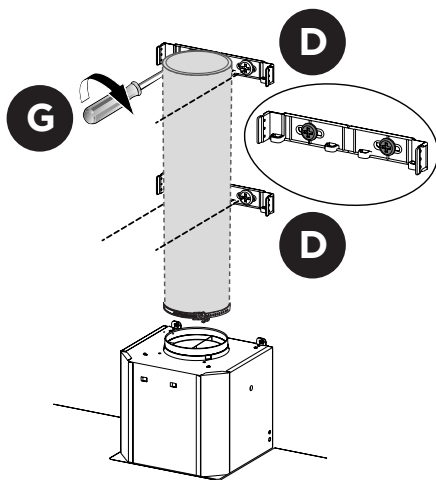
- 1 Installez les volets du clapet **E** qui sont inclus avec la hotte en enclenchant les languettes à l'intérieur du haut de la hotte avant de raccorder les conduits.



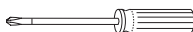
- 2 Installez le capuchon de toit ou de mur acheté séparément. Raccordez le conduit métallique de 6"pouces au capuchon de toit ou de mur, puis fixez le conduit. Scellez avec du ruban adhésif.



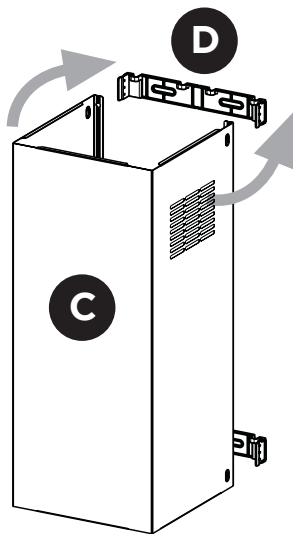
- 3** Installez les 2 supports de cheminée **D** dans les trous du milieu et du haut et fixez-les avec des vis **G** comme indiqué.



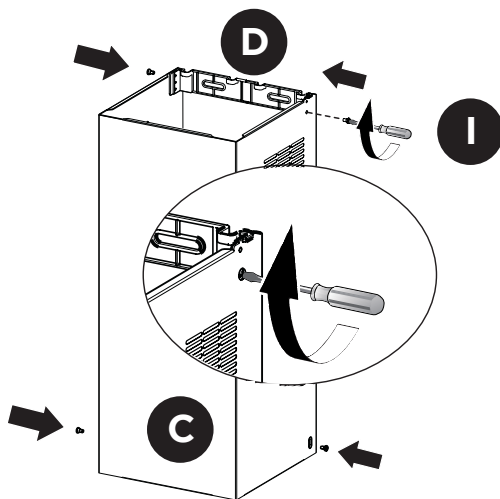
Tournevis Phillips



- 4 Élargissez légèrement les deux côtés de la cheminée supérieure **C** et accrochez-les derrière les supports **D**, en vous assurant qu'ils sont bien en place.



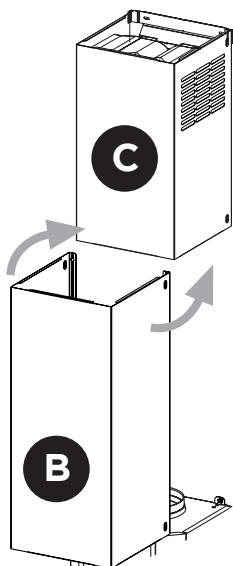
- 5 Fixez les côtés aux supports à l'aide des 4 vis **I**.



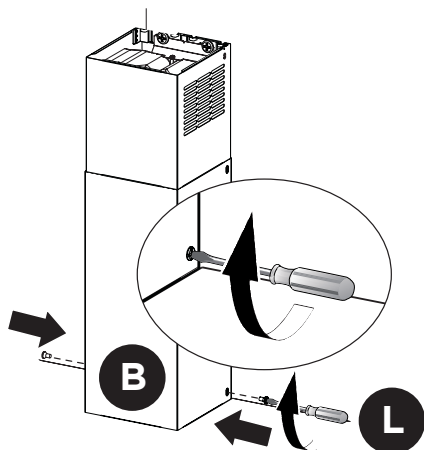
Tournevis Torx



- 6** Élargissez légèrement les deux côtés de la cheminée inférieure **B** et accrochez-les entre la section supérieure et le mur, en vous assurant qu'ils sont bien en place.

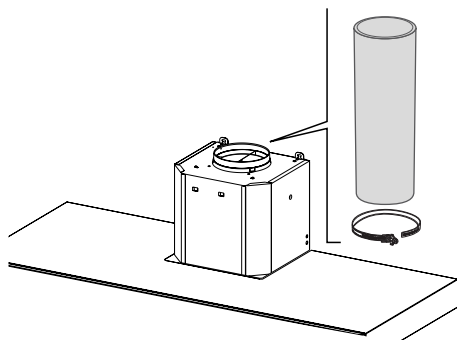


- 7** Installez la cheminée inférieure **B** latéralement au corps de la hotte à l'aide des 2 vis **L** fournies.

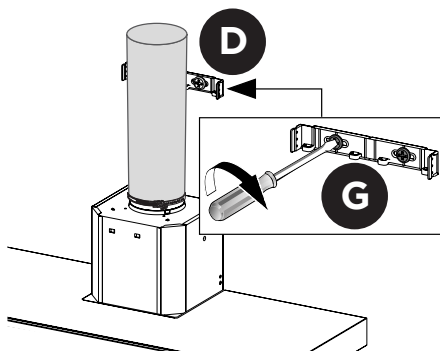


FIXATION DE LA VENTILATION : RECIRCULATION SANS CONDUIT

- 1** Uniquement pour la version à recirculation, raccordez la hotte à la sortie d'air. Raccordez les conduits métalliques de 6" à la sortie d'air de la hotte avec du ruban d'aluminium. Le conduit de 6" doit être coupé à la taille de la distance entre la sortie d'air et le déviateur sans conduit (voir la page suivante).



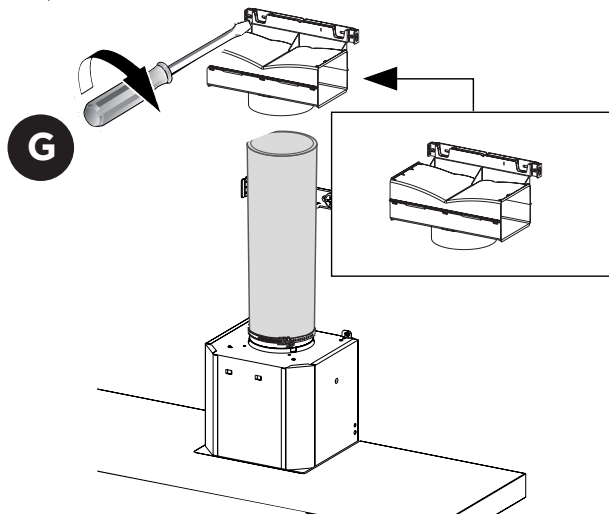
- 2** Installez le support inférieur **D** avec les deux vis **G** fournies comme indiqué.



Tournevis Phillips



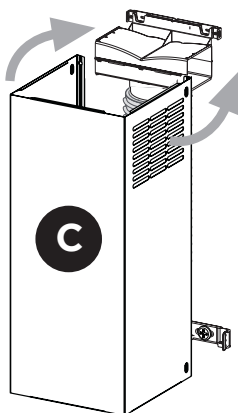
- 3** Installez le déviateur sans conduit (non fourni) avec les deux vis **G** fournies comme indiqué.



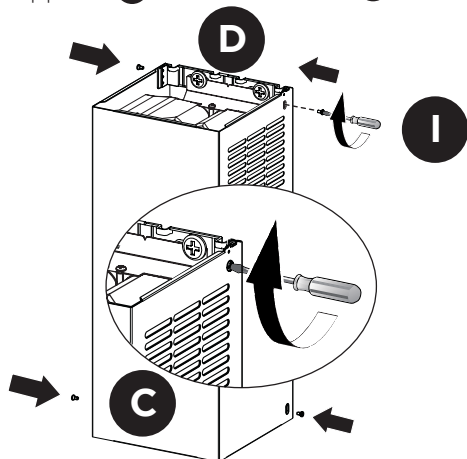
Accessoire de
déviateur sans
conduit requis - sku
#DUCT4



- 4** Élargissez légèrement les deux côtés de la cheminée supérieure **C** et accrochez-les derrière les supports, puis raccordez au déviateur sans conduit, en vous assurant qu'ils sont bien en place.



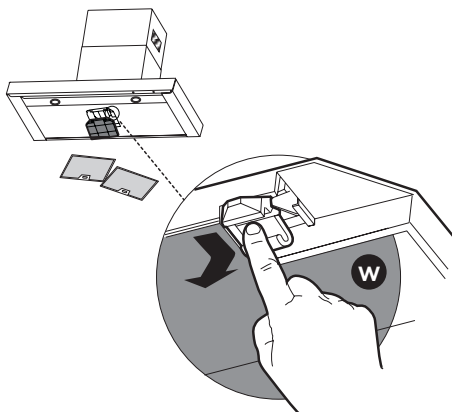
- 5 Fixez les côtés aux supports **D** à l'aide des 4 vis **I**.



Tournevis Torx



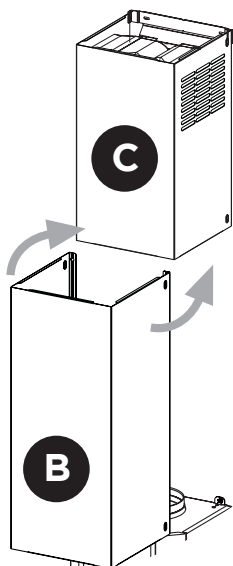
- 6 Fixez un filtre à charbon dans la bonne position et verrouillez-le avec les crochets de fixation comme indiqué. Déverrouillez les crochets (poussez vers l'arrière de la hotte) pour le retirer.



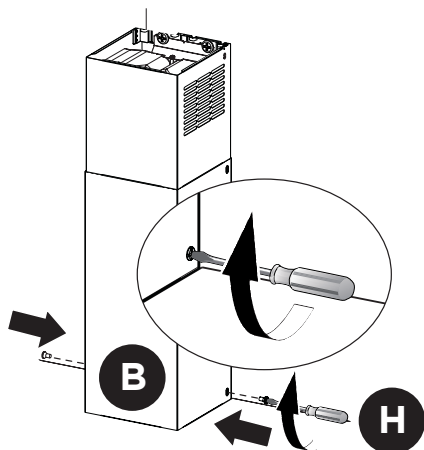
Accessoire de filtre à charbon actif requis - sku #FILTER2 (à acheter séparément)



- 7** Élargissez légèrement les deux côtés de la cheminée inférieure **B** et accrochez-les entre la section supérieure et le mur, en vous assurant qu'ils sont bien en place.



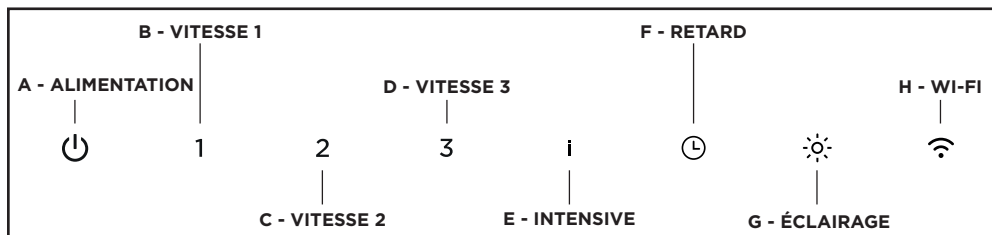
- 8** Fixez la cheminée inférieure **B** latéralement au corps de la hotte à l'aide des 2 vis **H** fournies.






UTILISATION DES COMMANDES

POUR DE MEILLEURS RÉSULTATS

Mettez la hotte en marche plusieurs minutes avant la cuisson pour assurer une bonne circulation de l'air. Laissez la hotte fonctionner pendant plusieurs minutes après la fin de la cuisson pour évacuer la fumée et les odeurs de la cuisine.






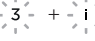
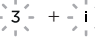
BOU-TON	FONCTION	INDICATEUR
	A - ALIMENTATION : une pression rapide éteint le moteur.	-
1	B - VITESSE 1 : une pression rapide allume le moteur à la vitesse un.	
	Réinitialiser l'alarme du filtre à graisse et/ou du filtre à charbon : une pression longue avec le moteur et les lumières éteints pour réinitialiser les alarmes de lavage du filtre.	Toutes les LED clignotent 3 fois.
2	C - VITESSE 2 : une pression rapide allume le moteur à la vitesse deux.	
	Activer/Désactiver l'alarme du filtre à charbon : une pression longue avec les lumières allumées et le moteur éteint activera ou désactivera l'alarme du filtre à charbon.	Toutes les LED clignotent deux fois (alarme activée). Toutes les LED sont allumées (alarme désactivée).
3	D - VITESSE 3 : une pression rapide allume le moteur à la vitesse trois.	
i	E - INTENSIVE : une pression rapide activera la vitesse intensive pendant 6 minutes. À la fin des 6 minutes, la hotte revient à la vitesse réglée auparavant. Si la vitesse intensive est réglée avec le moteur éteint, la hotte s'éteindra après 6 minutes.	
	F - RETARD - Activer/Désactiver la fonction Retard : Une pression longue avec le moteur allumé et les lumières éteintes : (le moteur et les lumières s'éteindront après 15 minutes).	Allumé jusqu'à ce que la hotte s'éteigne.
	G - ÉCLAIRAGE - Bouton d'éclairage : interrupteur marche/arrêt des lumières.	

BOU- TON	FONCTION	INDICATEUR
	H - WI-FI	
	Alarme de filtre à graisse : si les boutons de vitesse un et intensive sont allumés, cela signifie que l'alarme de saturation du filtre à graisse est activée et que les filtres à graisse doivent être lavés. L'alarme se déclenche après 100 heures de fonctionnement.	
	Alarme de filtre à charbon : si l'alarme est activée, les voyants de vitesse deux et intensive clignoteront. Cela signifie que les filtres à charbon doivent être remplacés et que les filtres à graisse doivent être lavés. L'alarme du filtre à charbon se déclenche après 200 heures de fonctionnement.	

CONNEXIONS WI-FI

Cet appareil est conforme à la partie 15 des règles de la FCC.

Le fonctionnement est soumis aux deux conditions suivantes : (1) Cet appareil ne doit pas causer d'interférences nuisibles et (2) cet appareil doit accepter toute interférence reçue, y compris les interférences susceptibles de provoquer un fonctionnement indésirable.

BOU- TON	FONCTION	INDICATEUR
	<p>H - WI-FI - Activer/Désactiver la fonction de connexion Wi-Fi.</p> <p>Appuyez longuement sur le bouton avec le moteur et les lumières éteints pour activer/désactiver le Wi-Fi.</p> <p>Remarque : la fonction Wi-Fi est automatiquement activée lorsque l'utilisateur demande la procédure de configuration Wi-Fi.</p>	<p>Allumé : </p> <p>Éteint : </p>
	<p>Appuyez longuement sur le bouton (avec les lumières allumées) pour lancer la procédure de configuration Wi-Fi.</p>	<p> clignotant.</p>
	<p>Configuration active.</p>	<p> allumé pendant 2 secondes.</p>

CONNEXIONS WI-FI

Cet appareil est conforme à la partie 15 des règles de la FCC. Le fonctionnement est soumis aux deux conditions suivantes : (1) Cet appareil ne doit pas causer d'interférences nuisibles et (2) cet appareil doit accepter toute interférence reçue, y compris les interférences susceptibles de provoquer un fonctionnement indésirable.

Remarque : Cet équipement a été testé et déclaré conforme aux limites d'un appareil numérique de classe B, conformément à la partie 15 des règles de la FCC. Ces limites sont conçues pour fournir une protection raisonnable contre les interférences nuisibles dans une installation résidentielle. Cet équipement génère, utilise et peut émettre de l'énergie de radiofréquence et, s'il n'est pas installé et utilisé conformément aux instructions, peut causer des interférences nuisibles aux communications radio. Cependant, il n'y a aucune garantie que des interférences ne se produiront pas dans une installation particulière.

Si cet équipement cause des interférences nuisibles à la réception radio ou télévision, ce qui peut être déterminé en éteignant et en rallumant l'équipement, l'utilisateur est invité à essayer de corriger l'interférence en prenant une ou plusieurs des mesures suivantes :

- Réorientez ou repositionnez l'antenne de réception.
- Augmentez la distance entre l'équipement et le récepteur.
- Connectez l'équipement à une prise sur un circuit autre que celui auquel le récepteur est connecté.
- Consultez votre revendeur ou un technicien radio/TV expérimenté pour obtenir de l'aide.

Les modifications apportées à ce produit non autorisées par Faber peuvent invalider la compatibilité électromagnétique (CEM) et la conformité sans fil et refuser l'autorisation d'utiliser le produit.

Ce produit a démontré la conformité CEM dans des conditions qui incluaient l'utilisation de périphériques conformes et de câbles blindés entre les composants du système. Il est important d'utiliser des périphériques conformes et des câbles blindés entre les composants du système pour réduire la possibilité de causer des interférences aux radios, téléviseurs et autres appareils électroniques.

Exposition à l'énergie de radiofréquence. La puissance de sortie rayonnée de cet appareil respecte les limites d'exposition aux fréquences radio FCC et IC. Cet appareil doit être utilisé avec une distance de séparation minimale de 20 cm (8 po) entre l'équipement et le corps d'une personne.

Informations sur l'appareil connecté

Contient l'ID FCC : 2AC7Z-ESPWROOM32D

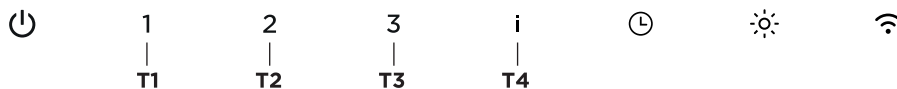
Contient IC : 21098-ESPWROOM32D

Modèle : ESP32-WROOM-32D

CAN ICES-003(B)/NMB-003(B)

RÉGLAGE CFM < 295CFM

Pour démarrer le processus, assurez-vous que les lumières de la hotte sont allumées et que le moteur est éteint.



- 1) Appuyez sur **T1** et maintenez-le enfoncé pendant 5 secondes jusqu'à ce que **T1 - T2 - T3 - T4** clignotent pendant 3 secondes.
- 2) Appuyez sur **T1** jusqu'à ce que les LED clignotent.
- 3) Appuyez à nouveau sur **T1** pour confirmer et **T1 - T2 - T3 - T4** clignotent pendant 3 secondes (appuyez dans les 10 secondes).
- 4) Les quatre LED clignoteront à nouveau pour confirmer que vous avez terminé le réglage CFM à moins de 295 CFM.
- 5) Appliquez l'étiquette inférieure à 295 CFM à l'intérieur de la hotte (derrière les filtres à graisse) près de l'étiquette signalétique pour inspection et sur le devant de votre manuel d'installation/de l'utilisateur.
- 6) Pour confirmer votre réglage pour l'inspection, **les boutons T1 et T2** feront toujours fonctionner la hotte à la vitesse 1 ou à la vitesse 2. La vitesse la plus élevée (**T3**) et la vitesse intensive (**T4**) ne fonctionneront également plus.

Remarque : Les boutons **T2** et **T3** fonctionneront désormais au même niveau et la vitesse intensive sera désactivée.

Attention : Lorsque le réglage inférieur à 295 CFM est terminé, il n'est plus possible de modifier ce paramètre au niveau CFM d'origine.

ATTENTION : Pour un bon fonctionnement de l'application FABER CLOUD, lorsque cette procédure est terminée, débranchez la fiche de l'alimentation électrique et rebranchez-la.

RÉGLAGE CFM < 395CFM

Pour démarrer le processus, assurez-vous que les lumières de la hotte sont allumées et que le moteur est éteint.



- 1) Appuyez sur **T2** et maintenez-le enfoncé pendant 5 secondes jusqu'à ce que **T1 - T2 - T3 - T4** clignotent pendant 3 secondes.
- 2) Appuyez sur **T2** jusqu'à ce que les LED clignotent.
- 3) Appuyez à nouveau sur **T2** pour confirmer et **T1 - T2 - T3 - T4** clignotent pendant 3 secondes (appuyez dans les 10 secondes).
- 4) Les quatre LED clignoteront à nouveau pour confirmer que vous avez terminé le réglage CFM à moins de 395 CFM.
- 5) Appliquez l'étiquette inférieure à 395 CFM à l'intérieur de la hotte (derrière les filtres à graisse) près de l'étiquette signalétique pour inspection et sur le devant de votre manuel d'installation/de l'utilisateur.
- 6) Pour confirmer votre réglage pour l'inspection, **les boutons T1 , T2 et T3** feront toujours fonctionner la hotte à la vitesse 1, à la vitesse 2 ou à la vitesse 3. La vitesse intensive (**T4**) ne fonctionnera également plus.

Remarque : La vitesse intensive sera désactivée.

Attention : Lorsque le réglage inférieur à 395 CFM est terminé, il n'est plus possible de modifier ce paramètre au niveau CFM d'origine.

ATTENTION : Pour un bon fonctionnement de l'application FABER CLOUD, lorsque cette procédure est terminée, débranchez la fiche de l'alimentation électrique et rebranchez-la.

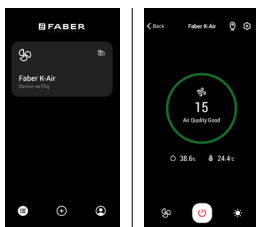
APPLICATION FABER CLOUD












Application Faber Cloud

Votre hotte est compatible avec l'application Faber Cloud. Tout ce dont vous avez besoin est un réseau Wi-Fi connecté à Internet qui se trouve à portée de la hotte. Vous pouvez contrôler toutes les fonctions de votre hotte de n'importe où à l'aide d'un appareil mobile ou de votre haut-parleur intelligent Amazon Alexa ou Google Home. Une fois connecté à votre haut-parleur intelligent, vous pouvez contrôler votre hotte avec votre voix.

L'application Faber Cloud est disponible sur les appareils iOS utilisant iOS 11.0 ou version ultérieure ou sur les appareils Android utilisant Android version 8 ou version ultérieure. Visitez l'Apple App Store ou le Google Play Store pour plus d'informations. Votre hotte de cuisine disposera de toutes les fonctionnalités si vous n'utilisez pas les fonctionnalités Wi-Fi ou l'application Faber Cloud, ni l'une ni l'autre n'est requise.

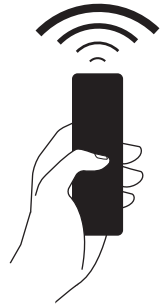
Veuillez consulter le guide de démarrage Quick Connect inclus pour plus d'informations.



Icône	Fonction
	Page d'accueil
	Ajouter un nouvel appareil
	Gestion des profils utilisateurs
	Connectée au réseau Wi-Fi Faber
	Hotte activée/désactivée
	Gestion du système d'éclairage
	Gestion de la vitesse du moteur
	Fonction intensive
	Fonction de retard
	Fonction 24 h
	Gestion des paramètres de l'application

TÉLÉCOMMANDE

La télécommande reproduit les fonctions du panneau de commande de la hotte #REMORIG



NETTOYAGE DE L'ACIER INOXYDABLE

Nettoyage des surfaces extérieures :

Veillez noter que les abrasifs et les agents de récurage peuvent rayer les finitions de la hotte et ne doivent pas être utilisés pour nettoyer les surfaces de finition.

Instructions de nettoyage de la finition en acier inoxydable :

Nettoyez les surfaces extérieures avec un nettoyant pour acier inoxydable disponible dans le commerce.

ENTRETIEN DES FILTRES

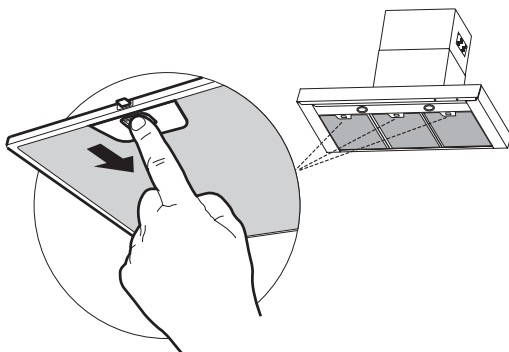
NETTOYAGE DES FILTRES À GRAISSE MÉTALLIQUES

Les filtres doivent être nettoyés tous les 2 mois de fonctionnement, ou plus fréquemment en cas d'usage particulièrement intensif, et peuvent être lavés au lave-vaisselle.

- Retirez les filtres un par un, en les poussant vers l'arrière de l'appareil tout en les tirant vers le bas.
- Lavez les filtres sans les plier et laissez-les sécher complètement avant de les remettre en place. (Si la surface du filtre change de couleur au fil du temps, cela n'aura absolument aucun effet sur l'efficacité du filtre.)
- Remettez-le en place en veillant à ce que la poignée soit orientée vers l'avant.
- Aucune présence d'eau ne peut se trouver dans les filtres avant de les remettre en place dans la hotte.

ATTENTION :

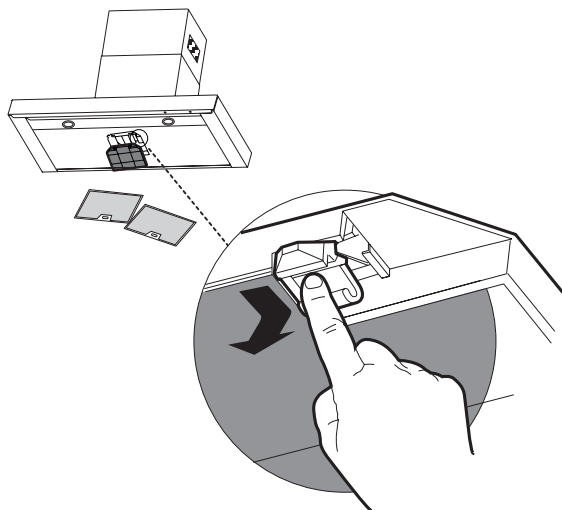
Séchez complètement les filtres à graisse après le lavage.



REPLACEMENT DU FILTRE À CHARBON ACTIF

Le filtre n'est pas lavable et ne peut pas être régénéré, il doit être remplacé environ tous les 4 mois de fonctionnement, ou plus fréquemment en cas d'usage particulièrement intensif.

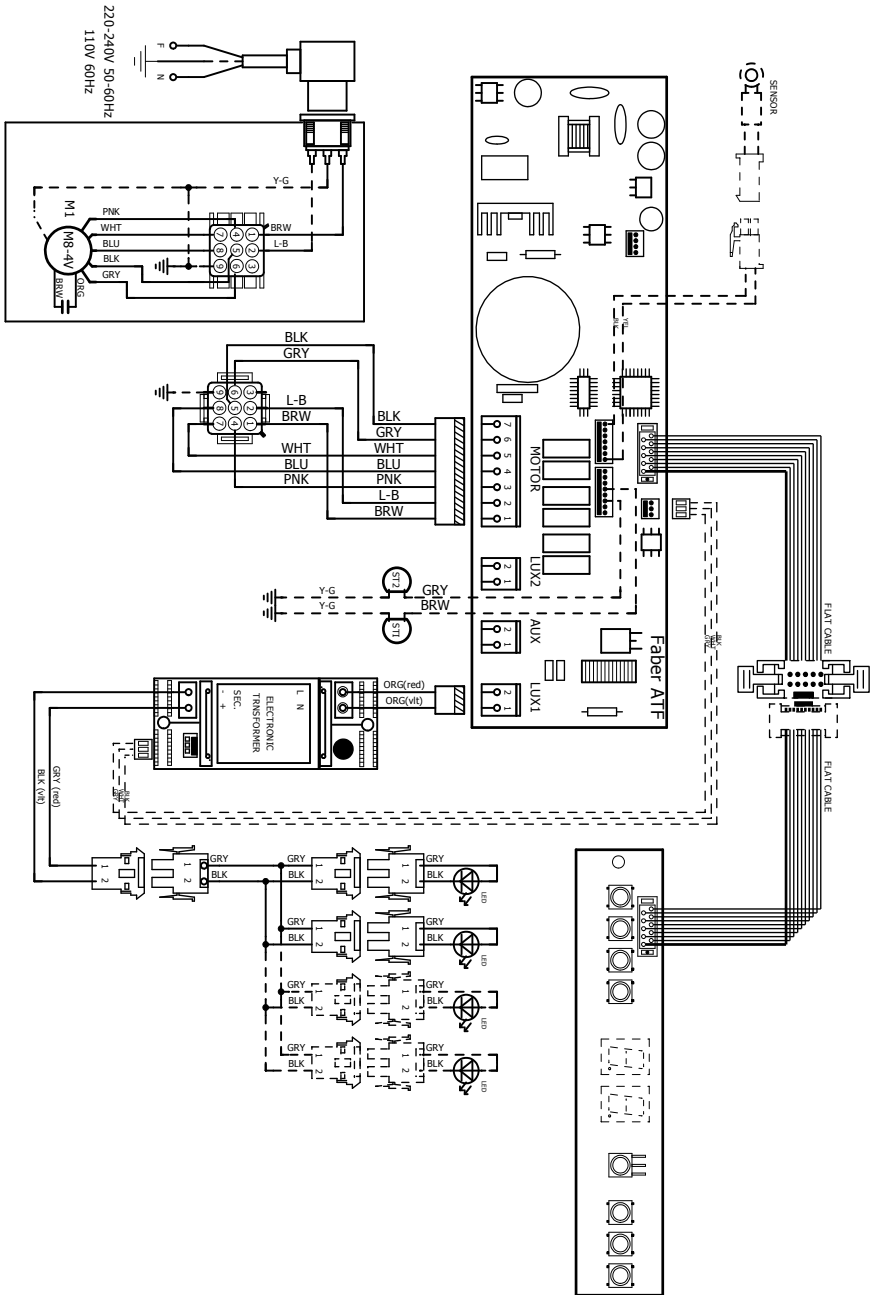
- Retirez les filtres un par un, en les poussant vers l'arrière de l'appareil tout en les tirant vers le bas.
- Retirez le filtre à charbon saturé en libérant les crochets.
- Montez le nouveau filtre et fixez-le dans sa position correcte.
- Remettez-le en place en veillant à ce que la poignée soit orientée vers l'avant.
- « En cas d'utilisation en mode recirculation, pour réduire les risques d'incendie et de choc, utilisez uniquement le kit de conversion modèle FILTER2. »



REPLACEMENT DES AMPOULES

Les lumières LED doivent être remplacées par un service agréé Faber.

SCHÉMA DE CÂBLAGE





Garantie Franke Home Solutions pour les produits de marque Franke et Faber en vigueur le 1er mars 2022

Aux États-Unis, au Canada et en Amérique latine, Franke garantit les produits de la marque Faber contre les défauts de fabrication des matériaux et de la fabrication lorsqu'ils sont achetés auprès d'un revendeur agréé Franke ou Faber conformément aux garanties spécifiques aux produits détaillées dans le présent document (chacune, une « garantie » et collectivement, les « garanties »). Les produits doivent être correctement installés, conformément aux instructions d'installation de Franke, dans leur installation d'origine, et utilisés dans des applications de cuisine résidentielles intérieures normales. Tout produit ou composant qui a été modifié ou altéré par rapport à son état d'origine annulera la garantie. Les garanties Franke pour les produits de marque Faber sont limitées à l'acheteur d'origine et ne sont pas transférables. Ces garanties n'incluent pas les produits achetés auprès de revendeurs non agréés, les produits obsolètes ou abandonnés, ou les produits qui étaient des modèles précédemment affichés.

Tous les problèmes avec les produits installés sont considérés comme des demandes de garantie et ne sont pas soumis à la politique de retour. Franke se réserve le droit d'inspecter tout produit Franke/Faber signalé comme défectueux en vertu d'une réclamation au titre de la garantie et de l'installation d'origine avant de fournir un produit et/ou un composant de remplacement. Toutes les décisions sont finales. La responsabilité de Franke ne pourra en aucun cas dépasser le montant du prix d'achat initial. Les garanties ne couvrent pas, et Franke ne sera pas tenue responsable, de tout dommage aux produits ou composants résultant d'une mauvaise utilisation ou d'un abus, de dommages accidentels, d'une usure normale telle que des éraflures, des rayures ou d'une réduction/décoloration du fini, d'une installation incorrecte, d'une utilisation anormale, d'une négligence, des dommages causés par un entretien ou un nettoyage inapproprié. Les dommages causés par des impuretés, des produits chimiques corrosifs ou des actes indépendants de la volonté de Franke ne sont couverts par aucune garantie. Les appels de service pour corriger l'installation d'une hotte de cuisinière, les instructions sur la façon de faire fonctionner une hotte de cuisinière, pour remplacer ou réparer les fusibles de la maison ou pour corriger le câblage ou la plomberie de la maison ne sont couverts par aucune garantie. Les appels de service pour réparer ou remplacer les ampoules, les fusibles ou les filtres de la hotte de cuisinière et ces coûts de pièces consommables sont également exclus de la couverture de la garantie. Une installation non conforme aux codes électriques ou de plomberie ou à la documentation Franke/Faber n'est couverte par aucune garantie. Les pièces de rechange ou les coûts de main-d'œuvre de réparation pour les unités utilisées à l'extérieur des États-Unis, du Canada ou de l'Amérique latine, y compris les hottes de cuisinière Franke/Faber non approuvées UL ou C-UL ou NOM, sont exclus de la couverture de la garantie. Les frais de déplacement et de transport pour l'entretien dans des endroits éloignés et les frais de ramassage et de livraison ne sont couverts par aucune garantie. Les hottes de cuisinière Franke/Faber doivent toujours être entretenues à domicile dans leur installation d'origine.

Les remplacements de produits Franke/Faber n'incluent pas la responsabilité pour les retards de projet. Les remplacements de produits ne sont pas garantis comme étant des remplacements exacts. Si le produit d'origine n'est pas disponible au moment de la demande de garantie, à la discrétion de Franke, les produits de remplacement seront de taille, de matériau et de valeur similaires. Tout produit ou composant qui a été modifié ou altéré par rapport à son état d'origine annulera la garantie.

Les garanties n'autorisent pas le recouvrement des dommages indirects ou consécutifs tels que la perte d'utilisation, le retard, les dommages matériels ou autres dommages consécutifs, et Franke décline toute responsabilité pour ces dommages. Chaque garantie est limitée aux conditions énoncées dans le présent document et à la période de garantie applicable spécifiée dans le présent document et est exclusive. À L'EXCEPTION DES GARANTIES ÉNONCÉES DANS LE PRÉSENT DOCUMENT, FRANKE N'OFFRE AUCUNE GARANTIE CONCERNANT LES PRODUITS, Y COMPRIS, MAIS SANS S'Y LIMITER, (1) TOUTE GARANTIE DE QUALITÉ MARCHANDE, (2) GARANTIE D'ADÉQUATION À UN USAGE PARTICULIER, (3) GARANTIE DE TITRE DE PROPRIÉTÉ, OU (4) GARANTIE CONTRE LA VIOLATION DES DROITS DE PROPRIÉTÉ INTELLECTUELLE D'UN TIERS, QU'ELLE SOIT EXPRESSE OU IMPLICITE PAR LA LOI, LE COURS DES AFFAIRES, LE COURS DE L'EXÉCUTION, L'USAGE DU COMMERCE OU AUTREMENT. AVIS DE NON-RESPONSABILITÉ LÉGALE, VEUILLEZ

LIRE ATTENTIVEMENT. Franke Kitchen Systems LLC vous fournit les informations ci-dessus en tant que service public à nos clients. En accord à ces informations et en les utilisant, vous acceptez ce qui suit et vous vous conformez à toutes les lois applicables. Si vous n'êtes pas d'accord avec ces termes et conditions, n'utilisez pas ces informations. Bien que nous essayions de maintenir l'information à jour, des changements peuvent avoir eu lieu depuis sa création. Contactez votre directeur régional ou le service client pour vérifier les informations concernant les programmes Franke Kitchen Systems LLC et leur utilisation par vous.

Garantie limitée des hottes de cuisinière Franke/Faber :

Les hottes de cuisinière Franke/Faber sont garanties contre tout défaut de matériaux ou de fabrication pour l'acheteur d'origine pendant une période de deux (2) ans à compter de la date d'achat d'origine lorsqu'elles sont utilisées dans des applications intérieures résidentielles normales. Cette garantie couvre la main-d'œuvre et les pièces de rechange. Franke, à sa discrétion, peut réparer ou remplacer le produit ou les composants nécessaires pour remettre le produit en bon état de fonctionnement.



Cette garantie remplace toutes les autres garanties, expresses ou implicites. Aucun employé, représentant commercial sur le terrain ou distributeur n'est autorisé à donner des garanties au nom de Franke Kitchen Systems, LLC.

Pour faire une réclamation au titre de la garantie d'un produit installé, veuillez contacter Franke aux coordonnées fournies ci-dessous. Toutes les réclamations de garantie doivent inclure les éléments suivants pour le traitement :

1. Preuve d'achat auprès d'un revendeur agréé Franke ou Faber
2. Nom, adresse (ville, état, code postal) de l'acheteur d'origine, adresse de courrier électronique et numéro de téléphone
3. Modèle et numéro de série Franke/Faber
4. Date d'installation
5. Description du défaut
6. Photos du défaut

En Amérique du Nord et en Amérique Latine :

Franke Home Solutions

À l'attention de : Warranty Department

800 Aviation Parkway

Smyrna, TN 37167

HS-Warranty.US@Franke.com

Raison sociale :

Franke Kitchen Systems LLC

CONTENIDOS

Sección	Página
INSTRUCCIONES IMPORTANTES DE SEGURIDAD	79
DIMENSIONES DE LA CAMPANA EXTRACTORA	82
REQUISITOS DE ALTURA PARA LA INSTALACIÓN	83
PIEZAS	84
HERRAMIENTAS NECESARIAS	86
MÉTODO DE VENTILACIÓN	87
INSTALACIÓN	88
ELECCIÓN DEL MÉTODO DE VENTILACIÓN	93
FIJAR VENTILACIÓN: CON CONDUCTOS	94
FIJAR VENTILACIÓN: RECIRCULACIÓN SIN CONDUCTOS	98
CONEXIÓN DE LA ENERGÍA DE LA CASA	102
OPERACIÓN DE LOS CONTROLES	103
APLICACIÓN FABER CLOUD	109
MANDO A DISTANCIA	110
LIMPIEZA DEL ACERO INOXIDABLE	111
CUIDADO DE LOS FILTROS	111
SUSTITUCIÓN DE LAS BOMBILLAS	112
DIAGRAMA DE CABLEADO	113
GARANTÍA	114

INSTRUCCIONES IMPORTANTES DE SEGURIDAD

LEA Y GUARDE ESTAS INSTRUCCIONES ANTES DE EMPEZAR A INSTALAR ESTA CAMPANA EXTRACTORA

ADVERTENCIA: - PARA REDUCIR EL RIESGO DE INCENDIO POR GRASA EN LA ENCIMERA:

- a) Nunca deje las unidades de superficie desatendidas en ajustes altos. Los hervores causan humo y derrames de grasa que pueden encenderse. Caliente los aceites lentamente en la posición baja o media.
- b) Siempre ENCIENDA la campana cuando cocine a fuego alto o cuando flamee alimentos (por ejemplo, Crepes Suzette, Cherries Jubilee, Peppercorn Beef Flambé).
- c) Limpie los ventiladores con frecuencia. No se debe permitir que la grasa se acumule en el ventilador o en el filtro.
- d) Utilice el tamaño de sartén adecuado. Utilice siempre utensilios de cocina apropiados para el tamaño de la superficie del elemento.

ADVERTENCIA: - PARA REDUCIR EL RIESGO DE LESIONES A LAS PERSONAS EN CASO DE INCENDIO DE LA GRASA DE LA ENCIMERA, OBSERVE LO SIGUIENTE*:

- a) APAGUE LAS LLAMAS con una tapa ajustada, una bandeja para galletas o una bandeja metálica, y luego apague el quemador. TENGA CUIDADO PARA EVITAR QUEMADURAS. Si las llamas no se apagan inmediatamente EVACÚE Y LLAME AL DEPARTAMENTO DE BOMBEROS.
- b) NUNCA AGARRE UNA SARTÉN EN LLAMAS - Puede quemarse.
- c) NO UTILICE AGUA, incluyendo paños de cocina o toallas mojadas - se producirá una violenta explosión de vapor.
- d) Utilice un extintor SOLO si:
 1. Sabe que tiene un extintor de Clase ABC y ya sabe cómo manejarlo.
 2. El fuego es pequeño y está contenido en la zona donde se inició.
 3. Se está llamando a los bomberos.
 4. Puede combatir el fuego de espaldas a una salida.

* Basado en " Consejos de Seguridad contra Incendios en la Cocina" publicado por la NFPA

ADVERTENCIA - PARA REDUCIR EL RIESGO DE INCENDIO O DESCARGA ELÉCTRICA, no utilice este ventilador con ningún dispositivo de control de velocidad de estado sólido.

ADVERTENCIA - PARA REDUCIR EL RIESGO DE INCENDIO, DESCARGA ELÉCTRICA O LESIONES A LAS PERSONAS, OBSERVE LO SIGUIENTE:

1. Utilice esta unidad solo de la manera prevista por el fabricante. Si tiene alguna pregunta, póngase en contacto con el fabricante.
2. Antes de realizar el mantenimiento o la limpieza de la unidad, desconecte la alimentación en el panel de servicio y bloquee los medios de desconexión de servicio para evitar que la alimentación se conecte accidentalmente. Cuando los medios de desconexión de servicio no puedan bloquearse, fije de forma segura un dispositivo de advertencia prominente, como una etiqueta, en el panel de servicio.

PRECAUCIÓN: Solo para uso General de Ventilación. No lo utilice para expulsar materiales y vapores peligrosos o explosivos.

ADVERTENCIA - PARA REDUCIR EL RIESGO DE INCENDIO, DESCARGA ELÉCTRICA O LESIONES A LAS PERSONAS, OBSERVE LO SIGUIENTE:

1. Los trabajos de instalación y cableado eléctrico lo deben realizar persona(s) cualificada(s) de conformidad con todos los códigos y normas aplicables, incluyendo la construcción de evaluación contra incendios.
2. Se necesita suficiente aire para una combustión adecuada y para la evacuación de

los gases a través del conducto de humos (chimenea) de los equipos de combustión para evitar la explosión del aire en retroceso. Siga las directrices y las normas de seguridad del fabricante del equipo de calefacción, como las publicadas por la Asociación Nacional de Protección contra Incendios (NFPA) y la Sociedad Americana de Ingenieros de Calefacción, Refrigeración y Aire Acondicionado (ASHRAE), así como las autoridades de los códigos locales.

- 3. Al cortar o perforar la pared o el techo, no dañe el cableado eléctrico ni otros servicios ocultos.**
- 4. Los ventiladores con conductos deben estar siempre ventilados al exterior.**

TODAS LAS APERTURAS DE LA PARED Y DEL SUELO DONDE SE INSTALE LA CAMPANA EXTRACTORA DEBEN ESTAR SELLADAS.

Esta Campana Extractora requiere un espacio libre de al menos 24" entre la parte inferior de la Campana Extractora y la superficie de cocción o encimera. Esta campana ha sido aprobada por UL a esta distancia de la encimera.

Esta distancia mínima puede ser mayor dependiendo de los códigos de construcción locales. Para encimeras de gas y cocinas combinadas, se recomienda un mínimo de 30" y es posible que esto sea necesario.

Los armarios superiores a ambos lados de esta unidad deben estar a un mínimo de 18" por encima de la superficie de cocción o de la encimera. Consulte las instrucciones de instalación de la placa de cocción o de la cocina dadas por el fabricante antes de hacer cualquier recorte.

INSTALACIÓN EN CASAS MÓVILES La instalación de esta campana extractora debe cumplir con las Normas de Seguridad y Construcción de Casas Móviles, Título 24 CFR, Parte 3280 (anteriormente Norma Federal para la Seguridad y Construcción de Casas Móviles, Título 24, HUD, Parte 280). Consulte los Requisitos Eléctricos

REQUISITOS DE VENTILACIÓN

Determine qué método de ventilación es el mejor para su aplicación. La red de conductos puede extenderse a través de la pared o del techo.

La longitud de la red de conductos y el número de codos deben reducirse al mínimo para conseguir un rendimiento eficaz. El tamaño de la red de conductos debe ser uniforme. No instale dos codos juntos. Utilice cinta adhesiva para sellar todas las juntas de la red de conductos. Utilice masilla para sellar la pared exterior o la abertura del suelo alrededor de la tapa.

No se recomienda utilizar conductos flexibles. Los conductos flexibles crean contrapresión y turbulencias de aire que reducen considerablemente el rendimiento.

Asegúrese de que hay un espacio libre adecuado dentro de la pared o del suelo para el conducto de escape antes de hacer recortes. No corte una viga o montante a menos que sea absolutamente necesario. Si es necesario cortar una viga o un montante, debe construirse un marco de soporte.

ADVERTENCIA - Para reducir el riesgo de incendio, utilice solo conductos metálicos.
PRECAUCIÓN - Para reducir el riesgo de incendio y para evacuar el aire adecuadamente, asegúrese de canalizar el aire hacia el exterior - No ventile el aire de salida en espacios dentro de las paredes o techos ni en áticos, semisótanos o garajes.

REQUISITOS DE VENTILACIÓN

Determine qué método de ventilación es el mejor para su aplicación. La red de conductos puede extenderse a través de la pared o del techo.

La longitud de la red de conductos y el número de codos deben reducirse al mínimo para conseguir un rendimiento eficaz. El tamaño de la red de conductos debe ser uniforme. No instale dos codos juntos. Utilice cinta adhesiva para sellar todas las juntas de la red de con-

ductos. Utilice masilla para sellar la pared exterior o la abertura del suelo alrededor de la tapa.

No se recomienda utilizar conductos flexibles. Los conductos flexibles crean contrapresión y turbulencias de aire que reducen considerablemente el rendimiento.

Asegúrese de que hay un espacio libre adecuado dentro de la pared o del suelo para el conducto de escape antes de hacer recortes. No corte una viga o montante a menos que sea absolutamente necesario. Si es necesario cortar una viga o un montante, debe construirse un marco de soporte.

ADVERTENCIA - Para reducir el riesgo de incendio, utilice solo conductos metálicos.

PRECAUCIÓN - Para reducir el riesgo de incendio y para evacuar el aire adecuadamente, asegúrese de canalizar el aire hacia el exterior - No ventile el aire de salida en espacios dentro de las paredes o techos ni en áticos, semisótanos o garajes.

Instalaciones para climas fríos

Debe instalarse un regulador de corriente adicional para minimizar el flujo de aire frío de retorno y debe instalarse un interruptor térmico no metálico para minimizar la conducción de las temperaturas exteriores como parte del sistema de ventilación. El regulador debe estar situado en el lado del interruptor térmico. El interruptor debe estar lo más cerca posible del lugar donde el sistema de ventilación entra en la parte con calefacción de la casa.



¡ADVERTENCIA

- El sistema de ventilación DEBE terminar en el exterior de la vivienda.
- **NO** termine los conductos en un ático u otro espacio cerrado.
- **NO** utilice tapas de pared de 4" tipo lavadero.
- No se recomienda utilizar conductos flexibles.
- **NO** obstruya el flujo de aire de combustión y ventilación.
- El incumplimiento de los requisitos de ventilación puede provocar un incendio.

REQUISITOS ELÉCTRICOS

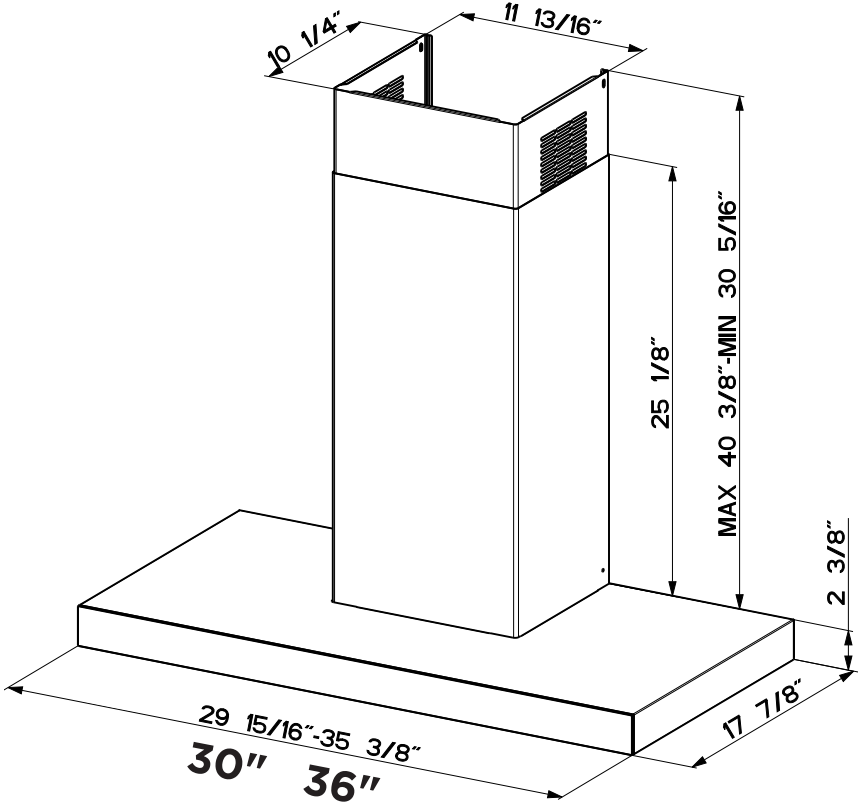
Se requiere un suministro eléctrico de 120 voltios y 60 Hz de solo CA en un circuito separado con fusible de 15 amperios. Se recomienda utilizar un fusible de retardo o un disyuntor de circuito. El fusible debe estar dimensionado según los códigos locales de acuerdo con la clasificación eléctrica de esta unidad, tal como se especifica en la placa de serie/clasificación ubicada en el interior de la unidad, cerca del compartimiento de cableado de campo.



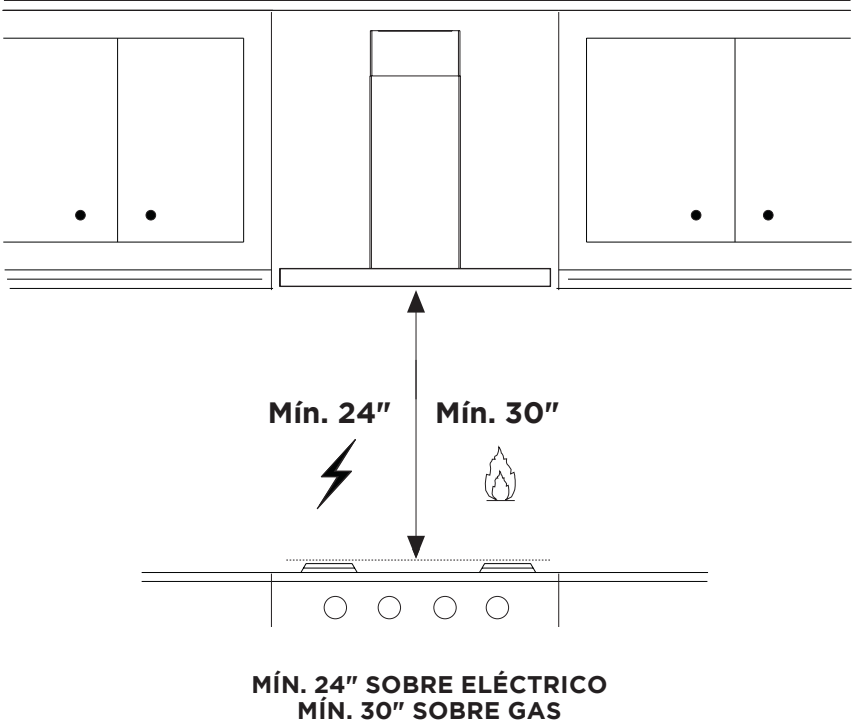
¡ADVERTENCIA

- Esta campana extractora requiere una toma de tierra eléctrica.
- Si la tubería de agua fría está interrumpida por plástico, juntas no metálicas u otros materiales, **NO** la utilice para la conexión a tierra.
- **NO** conecte a tierra una tubería de gas.
- **NO** tenga un fusible en el circuito neutro o de conexión a tierra. Un fusible en el circuito neutro o de conexión a tierra podría provocar una descarga eléctrica.
- Consulte a un electricista cualificado si tiene dudas sobre si la campana extractora está correctamente conectada a tierra.
- El incumplimiento de los requisitos eléctricos puede resultar en un incendio.

DIMENSIONES DE LA CAMPANA EXTRACTORA




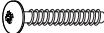



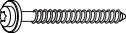


REQUISITOS DE ALTURA PARA LA INSTALACIÓN

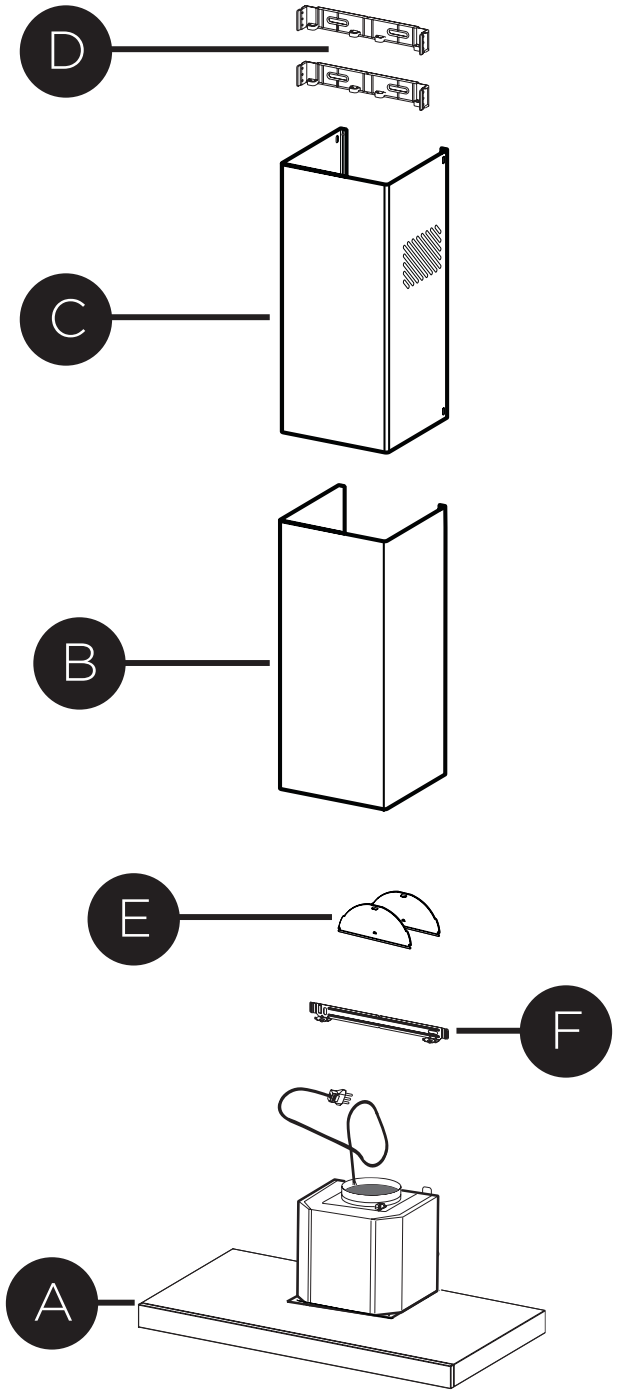


PIEZAS

PIEZAS INCLUIDAS




REF.	PIEZA	CANT
A	Cuerpo de la campana	1
B	Chimenea inferior telescópica	1
C	Chimenea superior telescópica	1
D	Soportes de la chimenea	2
E	Solapas del regulador	2
F	Soportes de pared para campana	1

REF	PIEZA			
G	Tornillos Pozi 3/16" x 1 3/4"			6
H	Tornillos Pozi (1/8" x 3/16")			2
I	Tornillos de torque 1/8" x 7/16"			4
L	Tornillos de torque (1/4" x 2 3/4")			2



PIEZAS (cont.)








PIEZAS NECESARIAS

PIEZA	
Conductos metálicos redondos de 6"	
Tacos para placas de yeso u otros elementos de fijación de la pared adecuados en función de su instalación.	
Cinta adhesiva	

ACCESORIOS DISPONIBLES

ACCESORIO	SKU#
Sustitución del filtro de carbón activado	#FILTER2
Mando a distancia inalámbrico	#REMORIG
Caja de cableado de conexión directa	#CAJA DE CABLES
Kit de chimenea de techo alto: chimenea superior e inferior para reemplazo de chimenea original para adaptación a techos de hasta 11"	#HIGH3
Kit sin conductos - Incluye desviador sin conductos, filtros de carbón	#DUCT4

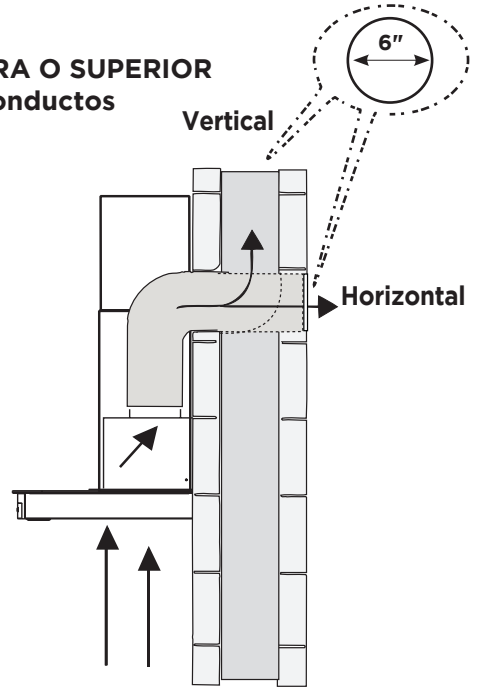
HERRAMIENTAS NECESARIAS

HERRAMIENTA	
Cinta Métrica	
Lápiz	
Taladro Eléctrico con Broca de 5/16"	
Destornillador Phillips	
Destornillador de torque	
Tijeras de metal	
Guantes de trabajo	

MÉTODO DE VENTILACIÓN

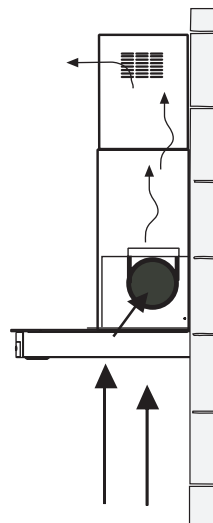
1

Opción 1: VENTILACIÓN TRASERA O SUPERIOR Instalación de ventilación con conductos



Opción 2: RECIRCULANDO Sin conductos - recirculación

Requiere la compra del
kit de Accesorios de
Carbón Activado.



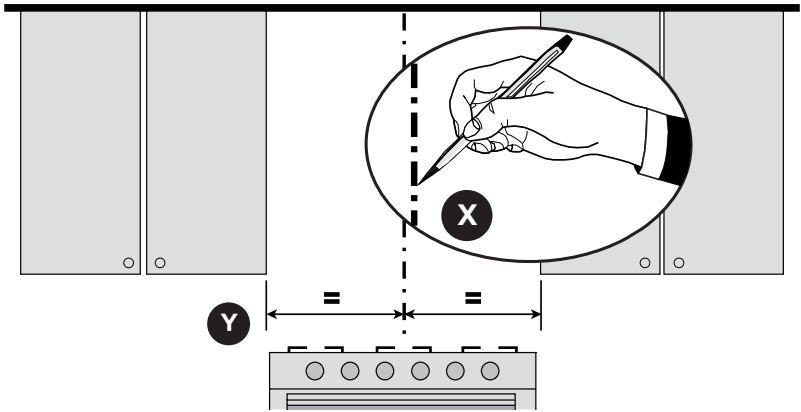
INSTALACIÓN

2

DIBUJAR LÍNEAS CENTRALES

Dibujar una línea vertical **X** en la pared de soporte hasta el techo o límite superior, en el centro del área en la que se instalará la campana.

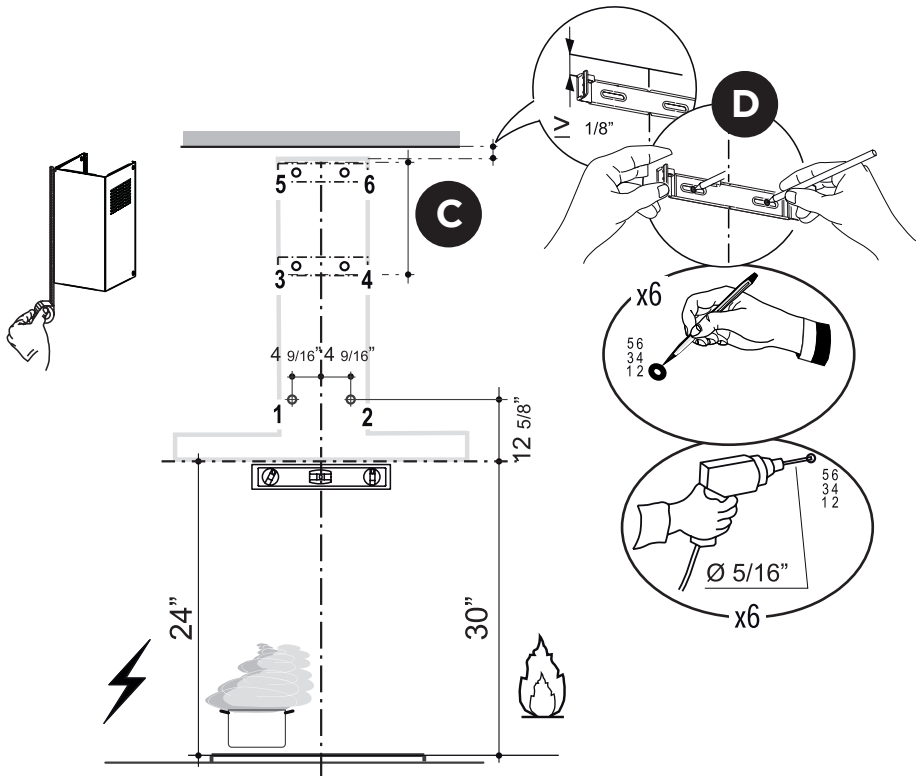
Trace una línea horizontal **Y** donde se ubicará el borde inferior de la campana, un mínimo de 24" por encima de una superficie de cocción eléctrica y 30" por encima de una superficie de cocción a gas.



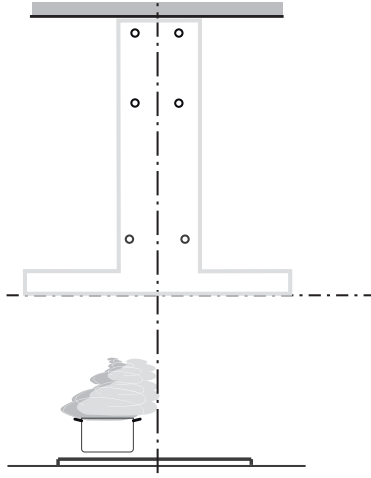
MÍN. 24" SOBRE ELÉCTRICO/MÍN. 30" SOBRE GAS

3

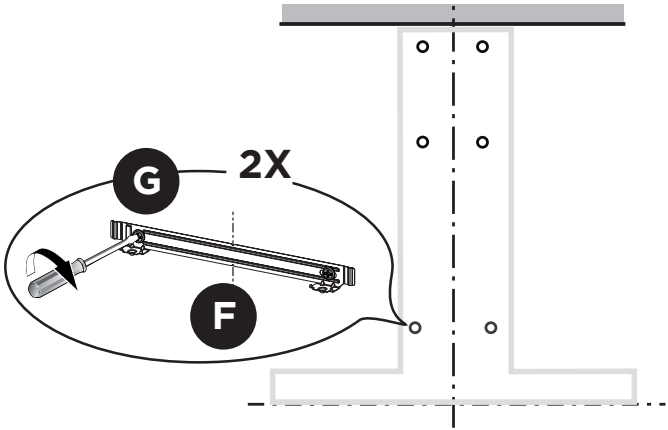
1. Coloque un soporte **D** en la pared, como se muestra, aproximadamente a $1/8''$ del techo o del límite superior, alineando el centro (muesca) con la línea de referencia vertical **X** y marque la pared en los centros de los orificios en el soporte.
2. Coloque el segundo soporte **D** en la pared como se muestra, debajo del primer soporte, a la altura de la sección superior de la chimenea **C** suministrada y alineando el centro (muesca) con la línea vertical.
3. Marque la pared en los centros de los orificios en el soporte y marque los puntos 1 y 2 para la instalación del cuerpo de la campana como se muestra ($12\ 5/8''$ desde la línea horizontal $4\ 9/16''$ desde la línea vertical).
4. Perfore orificios de $\varnothing\ 5/16''$ en todos los puntos centrales marcados (punto 1, 2, 3, 4, 5, 6) como se muestra.



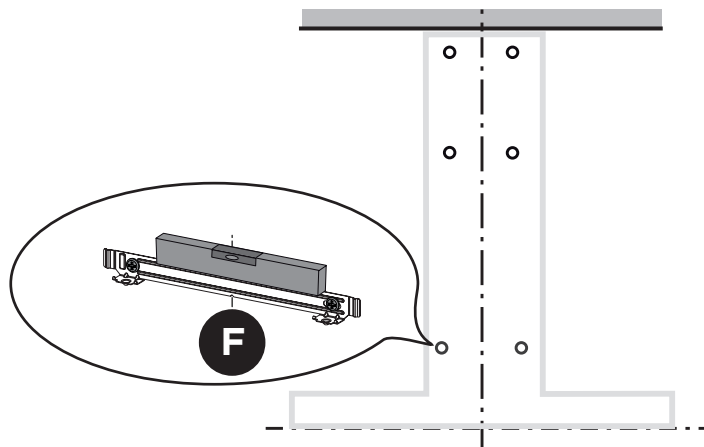
4 Los tornillos de instalación provistos deben asegurarse con tacos de pared (se compran por separado).



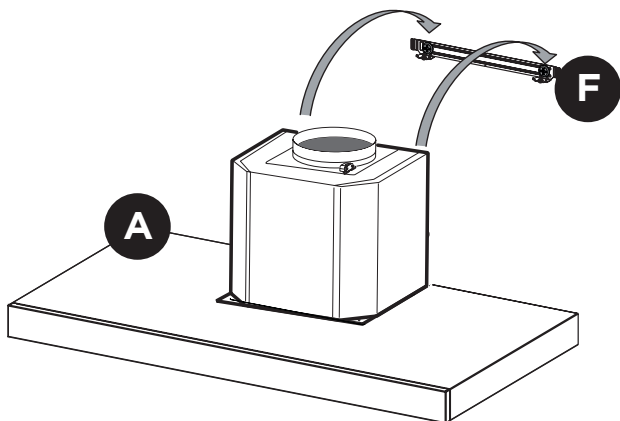
5 Inserte los dos tornillos **G** suministrados con la campana en el soporte de pared **F** como se muestra y no apriete del todo a la pared dejando 3/16" de las cabezas de los tornillos expuestas.



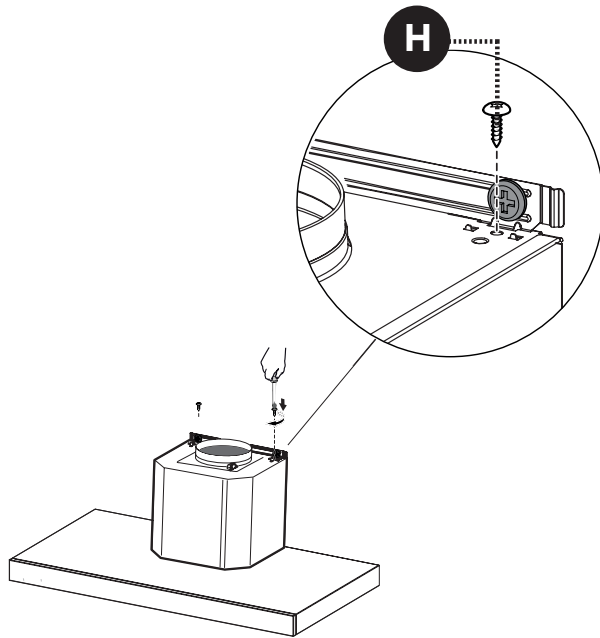
- 6 Utilice un nivel para asegurarse de que el soporte de pared **F** está nivelado y luego fije completamente los dos tornillos.



- 7 Enganche el cuerpo de la campana en el soporte de pared **F**.



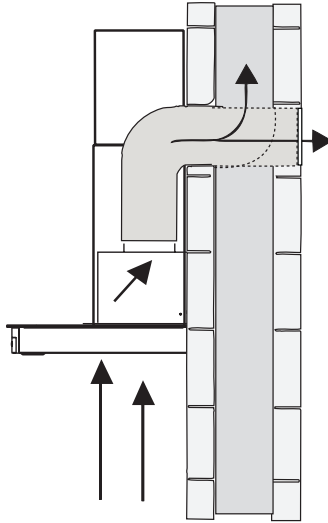
8 Apriete los 2 tornillos **H** como se muestra.



Destornillador Phillips	
-------------------------	---

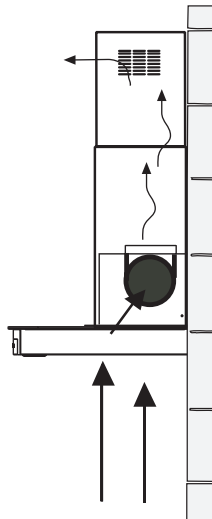
ELECCIÓN DEL MÉTODO DE VENTILACIÓN

VENTILADO



Vaya a la Pág.94

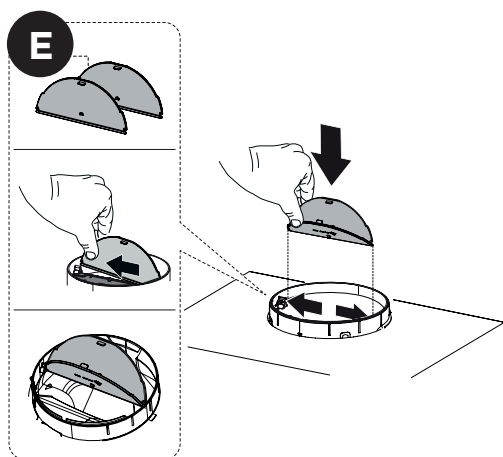
RECIRCULACIÓN



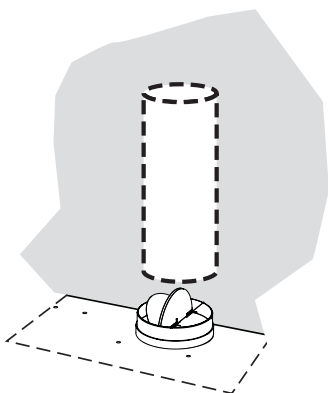
Vaya a la Pág.98

FIJAR VENTILACIÓN: CON CONDUCTOS

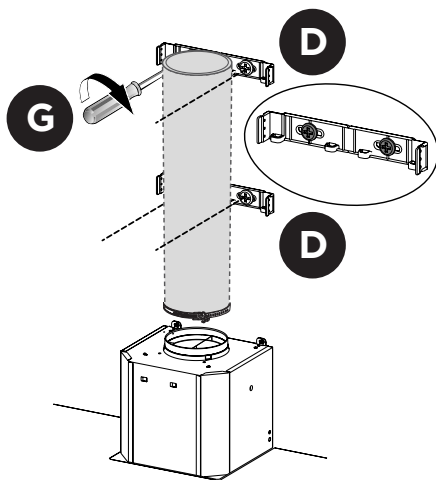
- 1 Instale las solapas del amortiguador **E** que se incluyen con la campana encajando las lengüetas en su lugar dentro de la parte superior de la campana antes de conectar los conductos.



- 2 Instale la Tapa del Techo o de la Pared comprada por separado. Conecte el conducto metálico de 6" a la Tapa del Techo o de la Pared y luego fije el conducto. Sellar con cinta adhesiva.



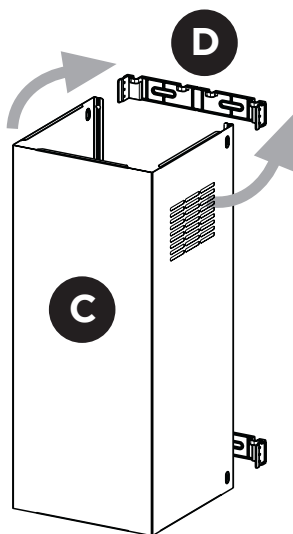
- 3** Instale los 2 soportes de chimenea **D** en los orificios central y superior y asegúrelos con tornillos **G** como se muestra.



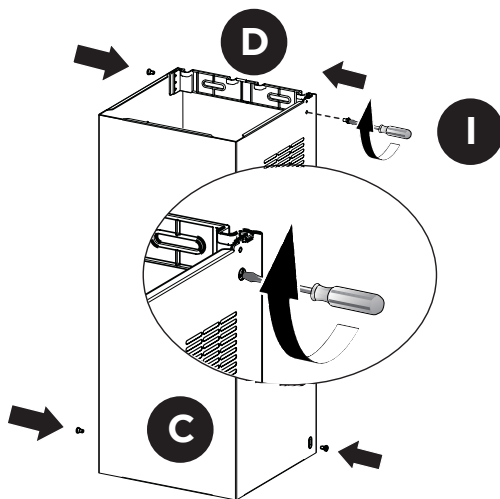
Destornillador Phillips



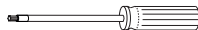
- 4** Ensanche ligeramente los dos lados de la chimenea superior **C** y engánchelos detrás de los soportes **D**, asegurándose de que están bien asentados.



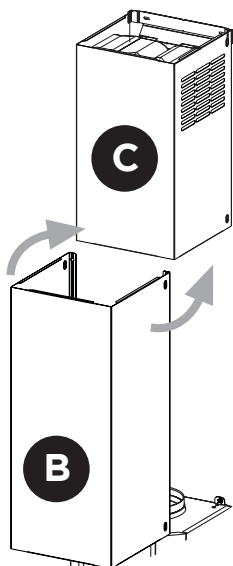
- 5** Fije los laterales a los soportes usando los 4 tornillos **I**.



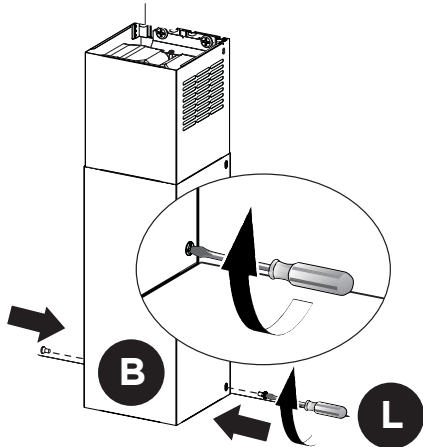
Destornillador de torque



- 6** Ensanche ligeramente los dos lados de la chimenea inferior **B** y engánchelos entre la sección superior y la pared, asegurándose de que queden bien alojados.

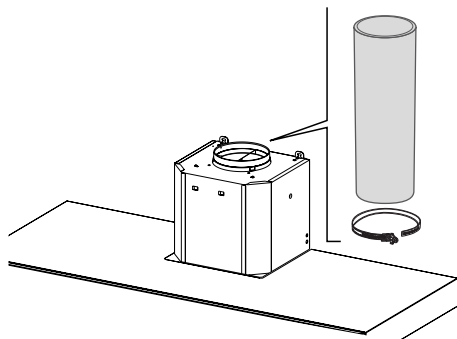


- 7** Instale la chimenea inferior de la campana **B** lateralmente al cuerpo de la campana usando los 2 tornillos **L** suministrados.

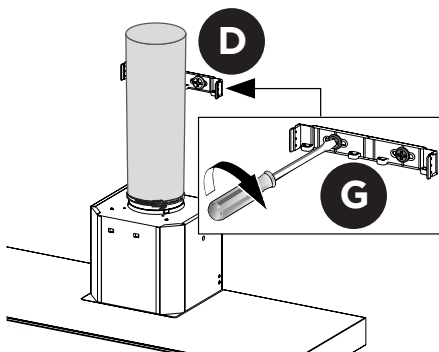


ADJUNTAR VENTILACIÓN: RECIRCULACIÓN SIN CONDUCTOS

- 1** Solo para la versión de recirculación, conecte la campana a la salida de aire. Conecte el conducto de metal de 6" a la salida de aire de la campana con cinta de aluminio. El conducto de 6" debe cortarse al tamaño de la distancia entre la salida de aire y el desviador sin conducto (consulte la página siguiente).



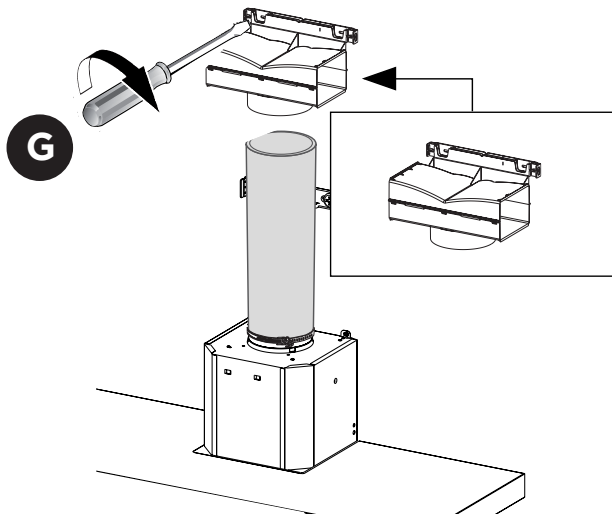
- 2** Instale el soporte inferior **D** con los dos tornillos **G** suministrados como se muestra.



Destornillador Phillips



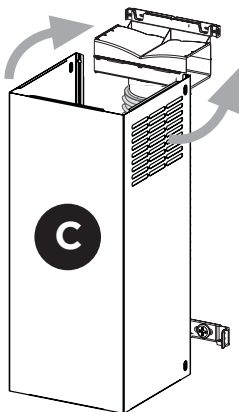
- 3** Instale el desviador sin conductos (no incluido) con los dos tornillos **G** suministrados como se muestra.



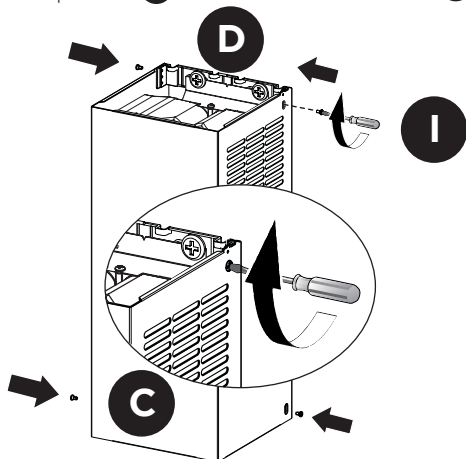
Accesorio del desviador sin conductos requerido - sku #DUCT4



- 4** Ensanche ligeramente los dos lados de la chimenea superior **C** y engánchelos detrás de los soportes y conéctelos al desviador sin conductos, asegurándose de que están bien asentados.



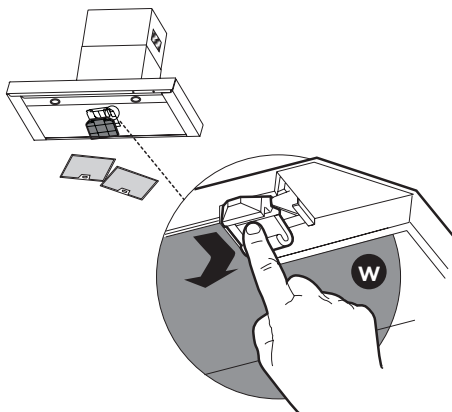
- 5** Fije los laterales a los soportes **D** usando los 4 tornillos **I**.



Destornillador de torque



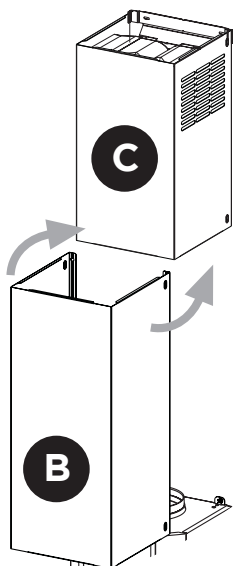
- 6** Coloque un filtro de carbón en la posición correcta y bloquéelo con los ganchos de fijación como se muestra. Desbloquee los ganchos (empuje hacia la parte posterior de la campana) para quitarlos.



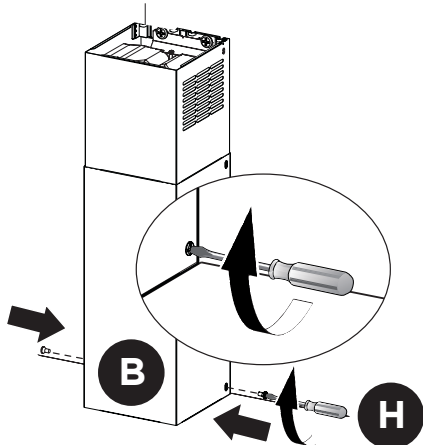
Accesorio del filtro de carbón
activado requerido - sku
#FILTER2 (comprado por
separado)



- 7** Ensanche ligeramente los dos lados de la chimenea inferior **B** y engánchelos entre la sección superior y la pared, asegurándose de que queden bien alojados.



- 8** Fije la chimenea inferior de la campana **B** lateralmente al cuerpo de la campana usando los 2 tornillos **H** suministrados.



Destornillador Phillips	
-------------------------	---

CONEXIÓN DE LA ENERGÍA DE LA CASA

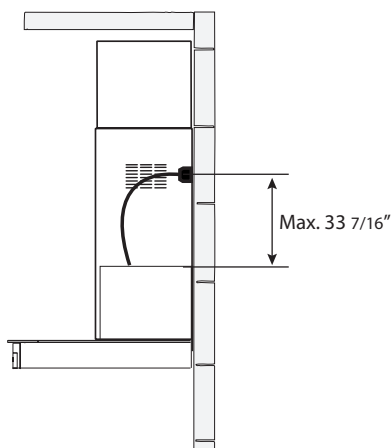
INSTRUCCIONES PARA LA CONEXIÓN A TIERRA

Este aparato debe estar conectado a tierra. En caso de que se produzca un cortocircuito eléctrico, la conexión a tierra reduce el riesgo de descarga eléctrica al proporcionar un cable de escape para la corriente eléctrica. Este aparato está equipado con un cable con un hilo de conexión a tierra y un enchufe con conexión a tierra. El enchufe debe conectarse a una toma de corriente que esté correctamente instalada y conectada a tierra.

ADVERTENCIA - Una conexión a tierra inadecuada puede suponer un riesgo de descarga eléctrica.

Consulte a un electricista cualificado si las instrucciones de conexión a tierra no se entienden completamente, o si existen dudas sobre si el aparato está correctamente conectado a tierra.

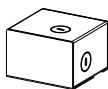
No utilice un cable alargador. Si el cable de alimentación es demasiado corto, haga que un electricista cualificado instale una toma de corriente cerca del aparato.



INSTALACIÓN ELÉCTRICA CON CAJA DE CABLEADO OPCIONAL

Para cableado permanente, utilice únicamente el accesorio Caja de cableado de conexión directa sku CAJA DE CABLES, fabricado por Faber.

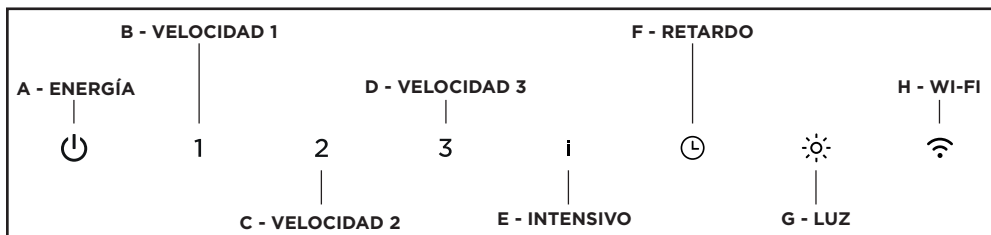
Accesorio de caja de cableado de conexión directa sku # WIREBOX (se adquiere por separado)






OPERACIÓN DE LOS CONTROLES

PARA OBTENER MEJORES RESULTADOS

Ponga en marcha la campana extractora varios minutos antes de cocinar para desarrollar un flujo de aire adecuado. Deje que la campana extractora funcione durante varios minutos después de terminar de cocinar para eliminar todo el humo y los olores de la cocina.










BOTÓN	FUNCIÓN	INDICADOR
	A - ENERGÍA - Una pulsación rápida apaga el motor.	-
1	B - VELOCIDAD 1 - Una pulsación rápida enciende el motor a velocidad uno.	
	Reinicio de la alarma del filtro para grasa y/o del filtro de carbón - Una pulsación larga con el motor y las luces apagadas para restablecer las alarmas de lavado de filtro.	Todos los LED parpadean 3 veces.
2	C - VELOCIDAD 2 - Una pulsación rápida enciende el motor a velocidad dos.	
	Activar / Desactivar la alarma del filtro de carbón vegetal - Una pulsación larga con las luces encendidas y el motor apagado activará o desactivará la alarma de carbón vegetal.	Todos los LED parpadean dos veces (alarma activada). Todos los LED se encienden (alarma desactivada).
3	D - VELOCIDAD 3 - Una pulsación rápida enciende el motor a velocidad tres.	
i	E - INTENSIVO - Una pulsación rápida hará funcionar la velocidad intensiva durante 6 minutos. Al final de los 6 minutos, la campana vuelve a la velocidad que se había fijado antes. Si se ajusta la intensidad con el motor apagado, la campana se apagará después de 6 minutos.	
	F - RETARDO - Activar / Desactivar la función de retardo: Una pulsación larga con el motor encendido y las luces apagadas: (El motor y las luces se apagan después de 15 minutos).	Encendido hasta que la campana se apague.
	G - LUZ - Botón de la luz: Interruptor de encendido/apagado de las luces.	

BOTÓN	FUNCIÓN	INDICADOR
	H - WI-FI	
	Alarma del filtro para grasa - Si los botones de velocidad dos e intensiva están encendidos, esto significa que la alarma de saturación del filtro para grasa está activada y los filtros para grasa deben ser lavados. La alarma se enciende después de 100 horas de funcionamiento.	
	Alarma del filtro de carbón - Si se activa la alarma, las luces de velocidad dos e intensiva parpadearán. Esto significa que los filtros de carbón deben ser reemplazados y los filtros para grasa deben ser lavados. La alarma del filtro de carbón se enciende después de 200 horas de funcionamiento.	

CONEXIONES SOBRE WI-FI

Este dispositivo cumple con la parte 15 de las normas de la FCC.

El funcionamiento está sujeto a las dos condiciones siguientes: (1) Este dispositivo no puede causar interferencias perjudiciales, y (2) este dispositivo debe aceptar cualquier interferencia recibida, incluidas las que puedan causar un funcionamiento no deseado.

BOTÓN	FUNCIÓN	INDICADOR
	<p>H - WI-FI - Activar / Desactivar la función de conexión Wi-Fi.</p> <p>Una pulsación larga del botón con el motor y las luces apagadas para activar/desactivar el WI-FI.</p> <p>Nota: la función Wi-Fi se activa automáticamente cuando el usuario solicita el procedimiento de configuración Wi-Fi.</p>	<p>Encendido: </p> <p>Apagado: </p>
	<p>Una pulsación larga del botón (con las luces encendidas) inicia el procedimiento de configuración de WI-FI.</p>	<p> +  parpadeante.</p>
	<p>Configuración activa.</p>	<p> +  encendido durante 2 segundos.</p>

CONEXIONES SOBRE WI-FI

Este dispositivo cumple con la Parte 15 de las normas de la FCC. El funcionamiento está sujeto a las dos condiciones siguientes: (1) este dispositivo no puede causar interferencias perjudiciales, y (2) este dispositivo debe aceptar cualquier interferencia recibida, incluidas las que puedan causar un funcionamiento no deseado.

Nota: Este equipo ha sido probado y se ha comprobado que cumple con los límites de un dispositivo digital de clase B, de acuerdo con la parte 15 de las normas de la FCC. Estos límites están diseñados para proporcionar una protección razonable contra las interferencias perjudiciales en una instalación residencial. Este equipo genera, utiliza y puede irradiar energía de radiofrecuencia y, si no se instala y utiliza según las instrucciones, puede causar interferencias perjudiciales en las comunicaciones por radio. Sin embargo, no se puede garantizar que no se produzcan interferencias en una instalación concreta.

Si este equipo causa interferencias perjudiciales en la recepción de radio o televisión, lo cual puede determinarse apagando y encendiendo el equipo, se invita al usuario a intentar corregir la interferencia tomando una o más de las siguientes medidas:

- Reoriente o reposicione la antena receptora.
- Aumente la separación entre el equipo y el receptor.
- Conecte el equipo a una toma de corriente de un circuito distinto al que está conectado el receptor.
- Consulte a su distribuidor o a un técnico de radio/televisión con experiencia para que le ayude.

Las modificaciones o alteraciones de este producto no autorizadas por Faber pueden invalidar la compatibilidad electromagnética (EMC) y la conformidad inalámbrica y denegar el permiso de uso del producto.

Este producto demostró el cumplimiento de la compatibilidad electromagnética en condiciones que incluían el uso de dispositivos periféricos compatibles y cables blindados entre los componentes del sistema. Es importante utilizar periféricos compatibles y cables apantallados entre los componentes del sistema para reducir la posibilidad de causar interferencias en radios, televisores y otros dispositivos electrónicos.

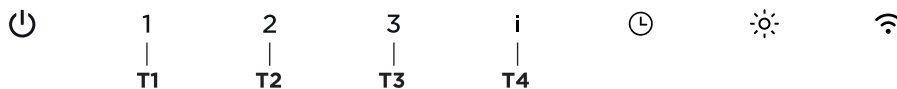
Exposición a la energía de radiofrecuencia. La potencia de salida radiada de este dispositivo cumple con los límites de exposición a la radiofrecuencia de la FCC y el IC. Este dispositivo debe utilizarse con una distancia mínima de separación de 20 cm (8 pulgadas) entre el equipo y el cuerpo de una persona.

Información sobre los aparatos conectados

Contiene FCC ID:2AC7Z-ESPWROOM32D
Contiene IC:21098-ESPWROOM32D
Modelo: ESP32-WROOM-32D
CAN ICES-003(B)/NMB-003(B)

AJUSTE DE CFM < 295CFM

Para iniciar el proceso asegúrese de que las luces de la campana están encendidas y el motor está apagado.



- 1) Mantenga presionado **T1** durante 5 segundos hasta que **T1 - T2 - T3 - T4** parpadee durante 3 segundos.
- 2) Presione **T1** hasta que los LED parpadeen.
- 3) Presione **T1** nuevamente para confirmar y **T1 - T2 - T3 - T4** parpadean durante 3 segundos (pulsado dentro de 10 segundos).
- 4) Los cuatro LED parpadearán de nuevo para confirmar que ha terminado el ajuste de CFM a menos de 295 CFM.
- 5) Coloque la etiqueta de menos de 295 CFM en el interior de la campana (detrás de los filtros para grasa) cerca de la etiqueta de clasificación para la inspección y en el frente de su manual de instalación/usuario.
- 6) Para confirmar el ajuste de la inspección, los botones **T1** y **T2** siempre harán funcionar la campana a velocidad 1 o velocidad 2. La velocidad más alta (**T3**) y la velocidad intensiva (**T4**), también dejarán de funcionar.

Nota: Los botones **T2** y **T3** funcionarán ahora al mismo nivel y la velocidad intensiva se desactivará.

Atención: Cuando se ha completado el ajuste de menos de 295 CFM, ya no es posible cambiar este ajuste al nivel original de CFM.

ATENCIÓN: Para un correcto funcionamiento de la APP FABER CLOUD, una vez finalizado este procedimiento, desconecte el enchufe de la red eléctrica y vuelva a conectarlo.

AJUSTE DE CFM < 395CFM

Para iniciar el proceso asegúrese de que las luces de la campana están encendidas y el motor está apagado.



- 1) Mantenga presionado **T1** durante 5 segundos hasta que **T1 - T2 - T3 - T4** parpadeen durante 3 segundos.
- 2) Presione **T2** hasta que los LED parpadeen.
- 3) Presione **T2** nuevamente para confirmar y **T1 - T2 - T3 - T4** parpadean durante 3 segundos (pulsado dentro de 10 segundos).
- 4) Los cuatro LED parpadearán de nuevo para confirmar que ha terminado el ajuste de CFM a menos de 395 CFM.
- 5) Coloque la etiqueta de menos de 395 CFM en el interior de la campana (detrás de los filtros de grasa) cerca de la etiqueta de clasificación para la inspección y en el frente de su manual de instalación/usuario.
- 6) Para confirmar el ajuste de la inspección, los botones **T1** y **T2** y **T3** siempre harán funcionar la campana a velocidad 1 o velocidad 2 o velocidad 3. La velocidad intensiva (**T4**), también dejarán de funcionar.

Nota: La velocidad intensiva se desactivará.

Atención: Cuando se ha completado el ajuste de menos de 395 CFM, ya no es posible cambiar este ajuste al nivel original de CFM.

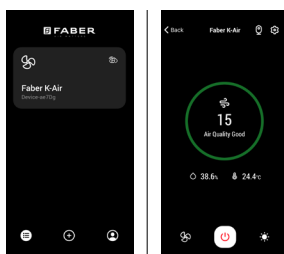
ATENCIÓN: Para un correcto funcionamiento de la APP FABER CLOUD, una vez finalizado este procedimiento, desconecte el enchufe de la red eléctrica y vuelva a conectarlo.

APLICACIÓN FABER CLOUD

Aplicación Faber Cloud

Su campana extractora es compatible con la aplicación Faber Cloud. Todo lo que necesita es una red Wi-Fi conectada a Internet que esté dentro del alcance de la campana extractora. Usted puede controlar todas las funciones de su campana extractora desde cualquier lugar utilizando un dispositivo móvil o su altavoz inteligente Amazon Alexa o Google Home. Cuando se conecta a su altavoz inteligente, puede controlar su campana con su voz.

La aplicación Faber Cloud está disponible en dispositivos iOS que utilicen iOS 11.0 o posterior o en dispositivos Android que utilicen la versión 8 o posterior de Android. Visite la App Store de Apple o la Play Store de Google para obtener más información. Su campana extractora tendrá una funcionalidad completa si no utiliza las funciones de Wi-fi o de la aplicación Faber CCloud, ninguna de las cuales es necesaria. Por favor, revise la Guía de inicio de conexión rápida incluida para más información.



Icono	Función
	Página de inicio
	Agregar un nuevo dispositivo
	Gestión de perfiles de usuario
	Conectado a la red Wi-Fi de Faber
	Encendido/apagado de la campana
	Gestión del sistema de iluminación
	Gestión de la velocidad del motor
	Función intensiva
	Función de retardo
	Función 24H
	Gestión de la configuración de la aplicación

MANDO A DISTANCIA

El mando a distancia reproduce las funciones del panel de control de la campana #REMORIG



LIMPIEZA DEL ACERO INOXIDABLE

Limpieza de las superficies exteriores:

Por favor, tenga en cuenta que los abrasivos y los agentes de fregado pueden rayar los acabados de la campana extractora y no deben utilizarse para limpiar las superficies acabadas.

Instrucciones para la limpieza del acabado de acero inoxidable:

Limpie las superficies exteriores con un limpiador de acero inoxidable disponible comercialmente.

CUIDADO DE LOS FILTROS

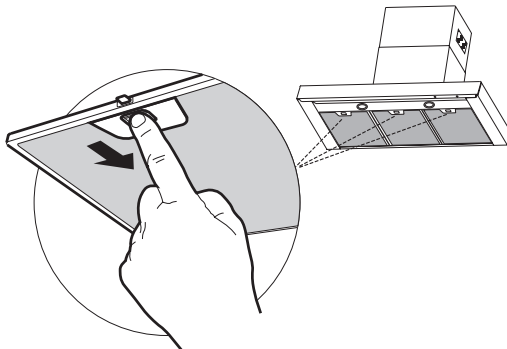
LIMPIEZA DE LOS FILTROS DE GRASA METÁLICOS

Los filtros deben limpiarse cada 2 meses de funcionamiento, o con mayor frecuencia en caso de uso especialmente intenso, y pueden lavarse en el lavavajillas.

- Retire los filtros de a uno por vez, empujándolos hacia la parte posterior de la unidad y al mismo tiempo tirando hacia abajo.
- Lave los filtros sin doblarlos y déjelos secar completamente antes de volver a colocarlos. (Si la superficie del filtro cambia de color con el paso del tiempo, esto no tendrá ningún efecto sobre la eficacia del propio filtro).
- Vuelva a colocarlo, teniendo cuidado de que el asa esté orientada hacia delante.
- No puede haber agua en los filtros antes de instalarlos de nuevo en la campana.

PRECAUCIÓN:

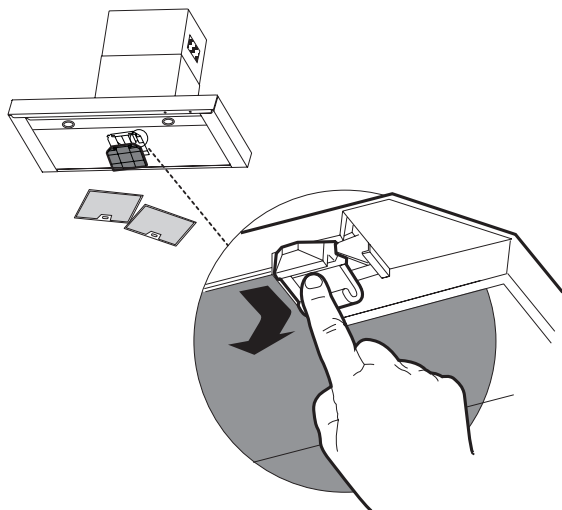
Seque completamente los filtros para grasa después del lavado.



SUSTITUCIÓN DEL FILTRO DE CARBÓN ACTIVADO

El filtro no es lavable y no puede regenerarse, y debe sustituirse aproximadamente cada 4 meses de funcionamiento, o con mayor frecuencia en caso de uso especialmente intenso.

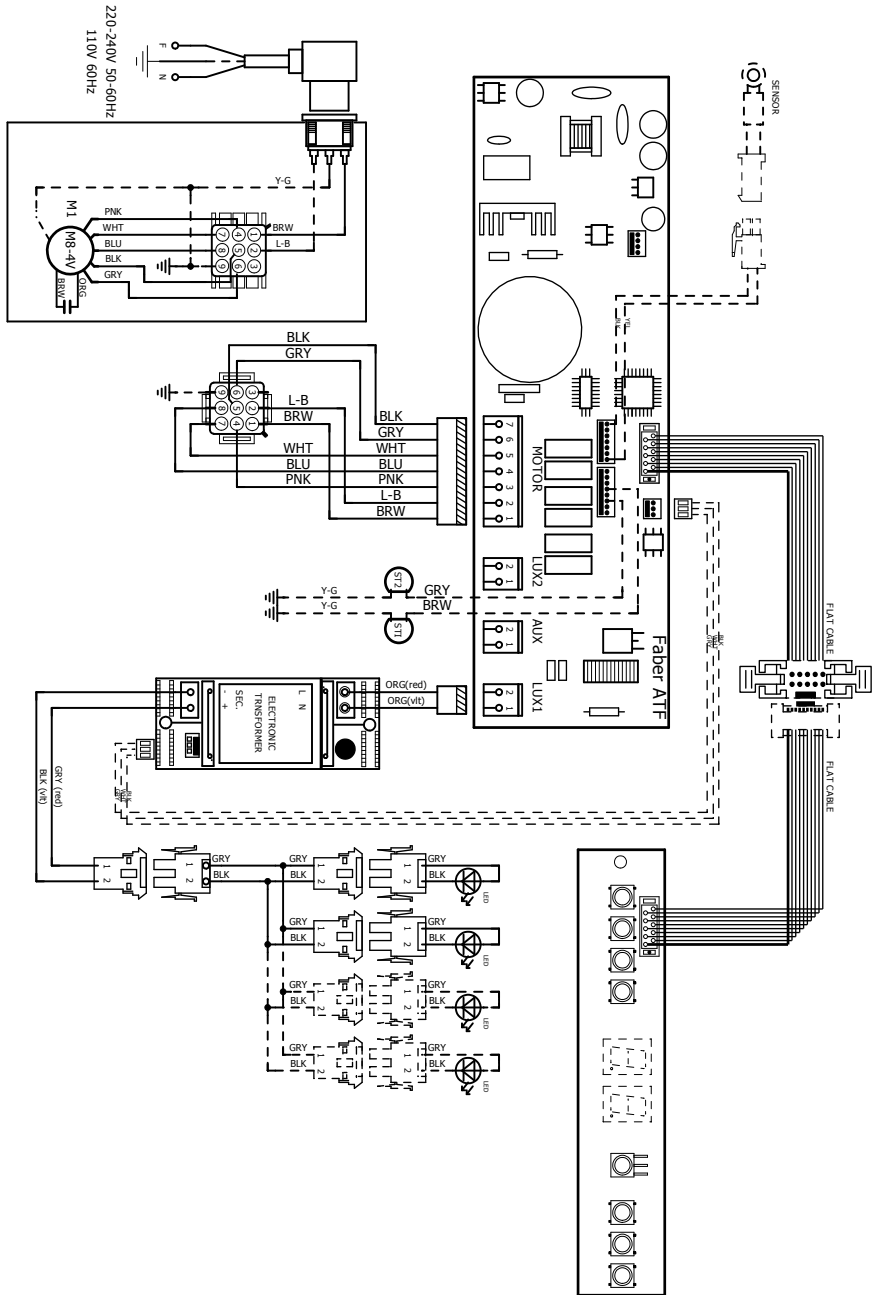
- Retire los filtros de a uno por vez, empujándolos hacia la parte posterior de la unidad y al mismo tiempo tirando hacia abajo.
- Retire el filtro de carbón saturado soltando los ganchos.
- Coloque el nuevo filtro y fíjelo en su posición correcta.
- Vuelva a colocarlo, teniendo cuidado de que el asa esté orientada hacia delante.
- "Cuando se utilice en modo de recirculación, para reducir el riesgo de incendio y de choque utilice únicamente el kit de conversión modelo FILTER2".



SUSTITUCIÓN DE LAS BOMBILLAS

Las luces LED deben ser sustituidas por el servicio técnico autorizado de Faber.

DIAGRAMA DEL CABLEADO



GARANTÍA



La garantía de Franke Home Solutions para los productos de las marcas Franke y Faber entra en vigor el 1 de marzo de 2022

En Estados Unidos, Canadá y América Latina, Franke garantiza los productos de la marca Faber contra defectos de fabricación en materiales y mano de obra cuando se compran a un minorista autorizado de Franke o Faber de acuerdo con las garantías específicas del producto que se detallan en este documento (cada una, una "Garantía" y colectivamente, las "Garantías"). Los productos deben ser instalados correctamente, según las instrucciones de instalación de Franke, en su instalación original, y utilizados en aplicaciones normales de cocina residencial en interiores. Cualquier producto o componente que haya sido modificado o alterado de su condición original anulará la garantía. Las garantías de Franke para los productos de la marca Faber están limitadas al comprador original y no son transferibles. Estas garantías no incluyen los productos comprados a minoristas no autorizados, los productos obsoletos o descatalogados, ni los productos que eran modelos de exposición anteriores. Todos los problemas con los productos instalados se consideran reclamaciones de garantía y no están sujetos a la política de devoluciones. Franke se reserva el derecho de inspeccionar cualquier producto Franke / Faber reportado como defectuoso en virtud de una reclamación de garantía y la instalación original antes de proporcionar un producto y/o componente de reemplazo. Todas las decisiones son definitivas. En ningún caso la responsabilidad de Franke superará el importe del precio de compra original. Las garantías no cubren, y Franke no será responsable, de ningún daño a los productos o componentes derivado de un mal uso o abuso, daños accidentales, desgaste normal como rozaduras, arañazos o reducción/descoloramiento del acabado, instalación incorrecta, uso anormal, negligencia, daños causados por un mantenimiento o limpieza inadecuados. Los daños causados por impurezas, productos químicos corrosivos o actos fuera del control de Franke no están cubiertos por ninguna garantía. Las llamadas de servicio para corregir la instalación de una campana extractora, las instrucciones sobre el funcionamiento de una campana extractora, para sustituir o reparar los fusibles de la casa o para corregir el cableado o la fontanería de la casa no están cubiertas por ninguna Garantía. Las llamadas de servicio para reparar o sustituir las bombillas, fusibles o filtros de la campana extractora, así como los costes de estas piezas consumibles, también están excluidos de la cobertura de la garantía. La instalación que no esté de acuerdo con los códigos eléctricos o de fontanería o con la documentación de Franke / Faber no está cubierta por ninguna garantía. Los costes de las piezas de repuesto o de la mano de obra de reparación de las unidades utilizadas fuera de los Estados Unidos, Canadá o América Latina, incluidas las campanas extractoras de cocina Franke / Faber no aprobadas por la norma UL o C-UL, están excluidos de la cobertura de la garantía. Los gastos de viaje y transporte para el servicio en lugares remotos y los gastos de recogida y entrega no están cubiertos por ninguna Garantía. Las campanas extractoras Franke / Faber siempre deben ser revisadas en el hogar en su instalación original.

Las sustituciones de productos Franke / Faber no incluyen la responsabilidad por los retrasos del proyecto. No se garantiza que las sustituciones de los productos sean exactas. Si el producto original no está disponible en el momento de la reclamación de la garantía, a opción de Franke, los reemplazos del producto serán de tamaño, material y valor similares. Cualquier producto o componente que haya sido modificado o alterado de su condición original anulará la garantía.

Las garantías no permiten la recuperación de los daños incidentales o indirectos, como la pérdida de uso, el retraso, los daños a la propiedad u otros daños indirectos, y Franke no acepta ninguna responsabilidad por tales daños. Cada Garantía está limitada a las condiciones establecidas en el presente documento y al período de garantía aplicable especificado en el mismo y es exclusiva. A EXCEPCIÓN DE LAS GARANTÍAS ESTABLECIDAS EN ESTE DOCUMENTO, FRANKE NO OFRECE NINGUNA GARANTÍA CON RESPECTO A LOS PRODUCTOS, INCLUYENDO, PERO NO LIMITADO A, (1) CUALQUIER GARANTÍA DE COMERCIALIZACIÓN, (2) LA GARANTÍA DE IDONEIDAD PARA UN PROPÓSITO PARTICULAR, (3) LA GARANTÍA DE TÍTULO, O (4) LA GARANTÍA CONTRA LA VIOLACIÓN DE LOS DERECHOS DE PROPIEDAD INTELECTUAL DE UN TERCERO, YA SEA EXPRESA O IMPLÍCITA POR LA LEY, EL DESARROLLO DE LOS NEGOCIOS, EL DESARROLLO DE LA EJECUCIÓN, EL USO DEL COMERCIO O DE OTRA MANERA. AVISO LEGAL POR FAVOR

LEA ATENTAMENTE. Franke Kitchen Systems LLC le proporciona la información anterior como un servicio público a nuestros clientes. Al acceder y utilizar esta información, usted acepta lo siguiente y el cumplimiento de todas las leyes aplicables. Si no está de acuerdo con estas condiciones, no utilice esta información. Aunque intentamos mantener la información actualizada, pueden haberse producido cambios desde su creación. Póngase en contacto con su gerente regional o con el servicio de atención al cliente para verificar la información relativa a los programas de Franke Kitchen Systems LLC y su uso.

Garantía limitada de la campana extractora Franke / Faber:

Las campanas extractoras de Franke / Faber están garantizadas contra cualquier defecto de materiales o mano de obra para el comprador original durante un período de dos (2) años a partir de la fecha de compra original cuando se utilizan en aplicaciones residenciales estándar de interior. Esta garantía cubre la mano de obra y las piezas de recambio. Franke, a su elección, puede reparar o sustituir el producto o los componentes necesarios para restablecer el producto en buenas condiciones de funcionamiento.



Esta garantía sustituye a todas las demás garantías, expresas o implícitas. Ningún empleado, representante de ventas de campo o distribuidor está autorizado a dar ninguna garantía en nombre de Franke Kitchen Systems, LLC

Para reclamar la garantía de un producto instalado, póngase en contacto con Franke a través de la información de contacto proporcionada a continuación. Todos los reclamos de garantía deben incluir lo siguiente para su procesamiento:

1. Prueba de compra en un distribuidor autorizado de Franke o Faber
2. Nombre del comprador original, dirección (incluyendo ciudad, estado y código postal), dirección de correo electrónico y número de teléfono
3. Modelo y número de serie de Franke / Faber
4. Fecha de instalación
5. Descripción del defecto
6. Fotos del defecto

En América del Norte y América Latina:
Soluciones para el hogar Franke
A la atención de: Departamento de Garantía
800 Aviation Parkway
Smyrna, TN 37167
HS-Warranty.US@Franke.com

Persona jurídica:
Franke Kitchen Systems LLC

991.0682.855_01 - 220830
D000000008865_00