

DUCT GRATE

ACCESSORY



FABER'S DUCT GRATE ACCESSORY

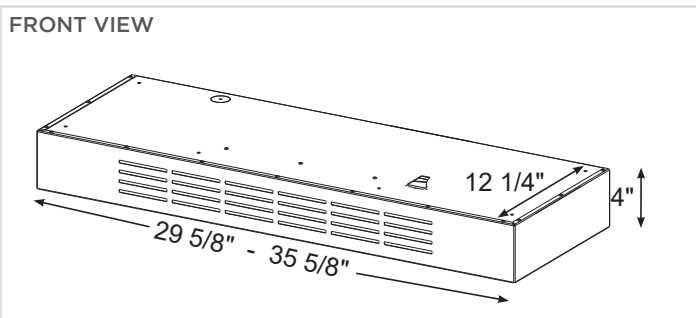
The durable stainless steel vent grate allows for recirculated air to come back into the room above the Brevia Pro 11 or 18. Includes: Includes the 4" stainless vent, charcoal filters, and installation hardware.

Model #	Size / Color	Dimensions
DUCTGRT304	Ductless Vent Grate Recirc. Kit 30"	30" W x 4" H
DUCTGRT364	Ductless Vent Grate Recirc. Kit 36"	36" W x 4" H

Exclusively for the Brevia Pro 11 and 18



FRONT VIEW



Rev1 323

800 Aviation Parkway, Smyrna, TN 37167 (508) 358-5353 | www.faberonline.com

FABER
FRANKE'S AIR EXPERT