

FABER

SELF SUPPORTING LINER

Installation Instructions
Use and Care Information

Instructions d'installation
Utilisez et d'entretien

Instrucciones de instalación
Información de uso y cuidado

LINSPT301228
LINSPT361228

CONTENTS

Section	Page
Important Safety Instructions	3
Liner Dimensions	4
Parts	4
Tools Needed	5
Preparing For Installing The Liner	6
Preparing The Cabinet Floor	7
Installing The Liner	8
Attaching The Front Trim	9
Installing The Range Hood	10

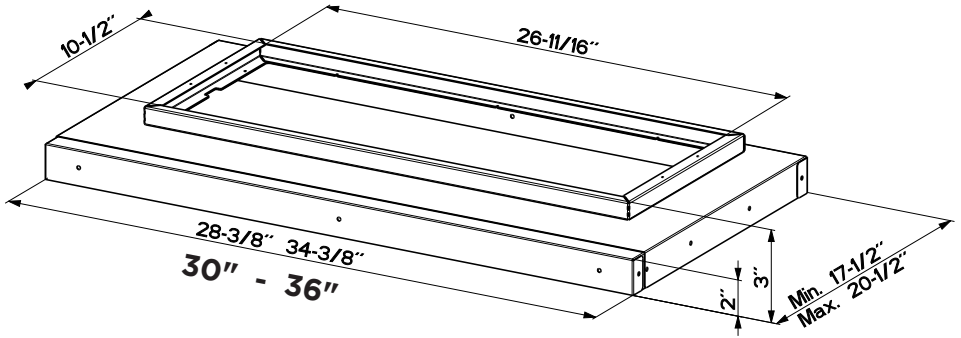
IMPORTANT SAFETY INSTRUCTIONS

READ AND SAVE THESE INSTRUCTIONS BEFORE YOU START INSTALLING





Refer to Faber U&C Guides for Installation Instructions for your range hood model.

Pre-Planning Your Installation - Important: The recommended height to install this hood off the cooktop is a minimum of 24" over electric cooking surfaces and a maximum of 30" over gas surfaces for maximum effectiveness. Also consult the cooktop manufacturer's recommendation.

LINER DIMENSIONS



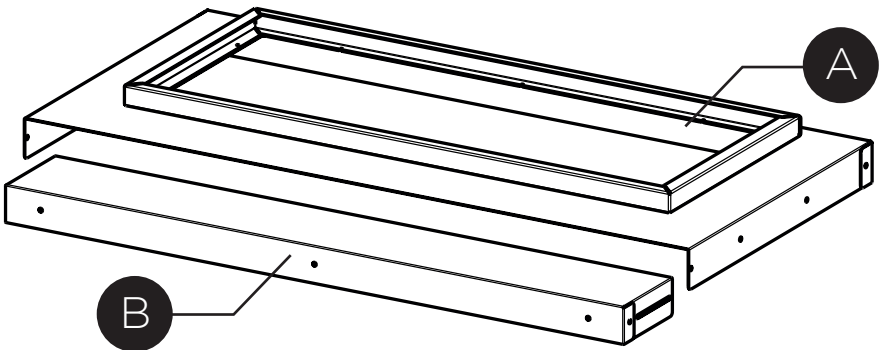
TOOLS NEEDED



TOOL	
Tape Measure	
Pencil	
Phillips Screwdriver	
Metal sheers	
Work gloves	

PARTS

PARTS INCLUDED

REF.	PART	QTY
A	Bottom lip of the metal liner	1
B	Front trim of the metal liner	1



REF	PART		
G	Pozi Screws (1/8" x 5/8")		
			16

PREPARING FOR INSTALLING THE LINER

1

INSPECT THE RANGE HOOD AND THE LINER:

Fully inspect the range hood and the liner for damage before installation.

If there is damage please document and contact your retailer.

IF DAMAGED BY THE CUSTOMER, REPAIR OR REPLACEMENT IS THE RESPONSIBILITY OF THE CUSTOMER.

IF THE UNIT IS DAMAGED BY INSTALLATION (OTHER THAN THE CUSTOMER) REPAIR OR REPLACEMENT IS ARRANGED BETWEEN THE CUSTOMER AND THE INSTALLER.

2.a

REMOVE THE FLOOR OF THE CABINET:

Remove the floor of the cabinet.



WARNING



Make sure the surface you are securing your range hood to is capable of holding the weight of the range hood. Review your hood's specification to find the exact weight of the range hood.

At a minimum your surface should be able to support 40lbs. Failure to do so may cause personal injury or damage to the cooking surface or counter. Wood blocking may need to be added to the cabinet base.

PREPARING THE CABINET FLOOR

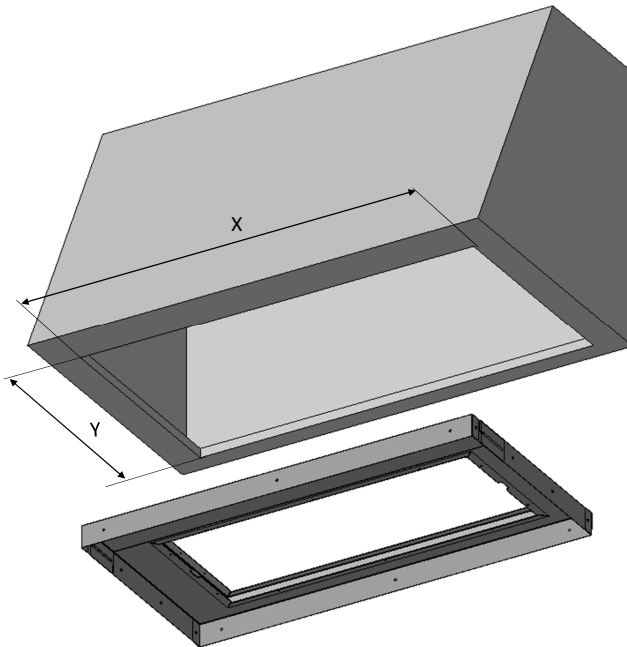
2.b CUT OUT THE CABINET FLOOR:

In some applications, a cut-out may be needed on the cabinet floor. Use figure below to determine the cut-out dimensions for your specific hood application.

For less than 3/4" side walls additional trim may need to be added.

Liner Model	Wood Hood Exterior Width	LINER		Interior cabinet / Cut out Width (x)	Interior cabinet depth / Cut out (y)	
		Width	Depth		Without back panel	With back panel *
LINSPT30I228	30 inches	28 3/8"	17 1/2" - 20 1/2"	28 1/2"	17 1/2" - 20 1/2"	17 1/8" - 20 1/8"
LINSPT36I228	36 inches	34 3/8"	17 1/2" - 20 1/2"	34 1/2"	17 1/2" - 20 1/2"	17 1/8" - 20 1/8"

* Assumes back panel cabinet thickness of 3/8 "

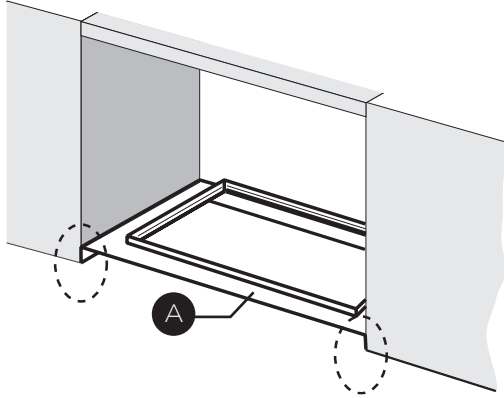


INSTALLING THE LINER

3

ALIGN THE LINER WITH THE CABINET FLOOR:

Align the bottom lip of the rear liner **A** with the bottom lip of the cabinet.



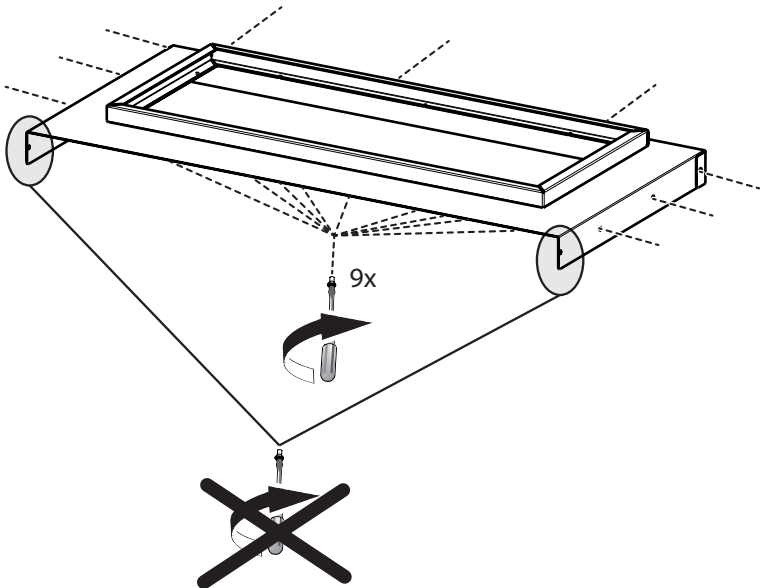
4

ATTACHING THE LINER:

Attach the back of the liner with 9 screws. 3 screws along the back, 3 on each side.

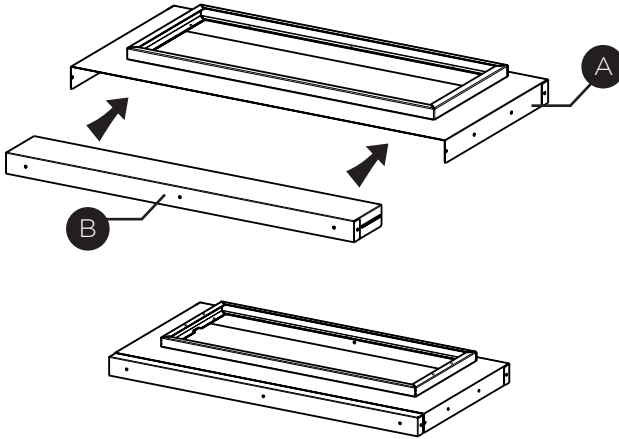
Do not attach the screws on each side near the front trim.

These need to remain available to adjust the front part of the liner.

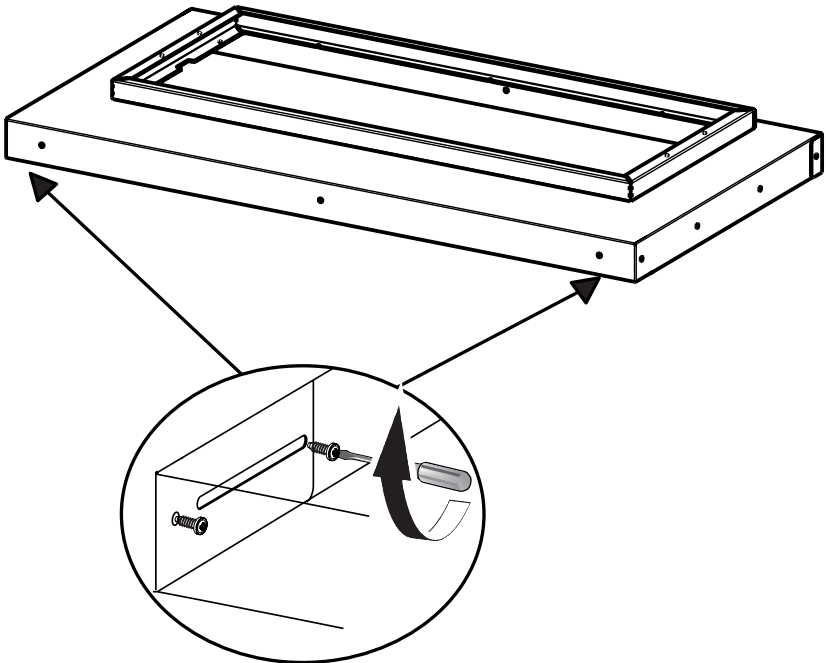


ATTACHING THE FRONT TRIM

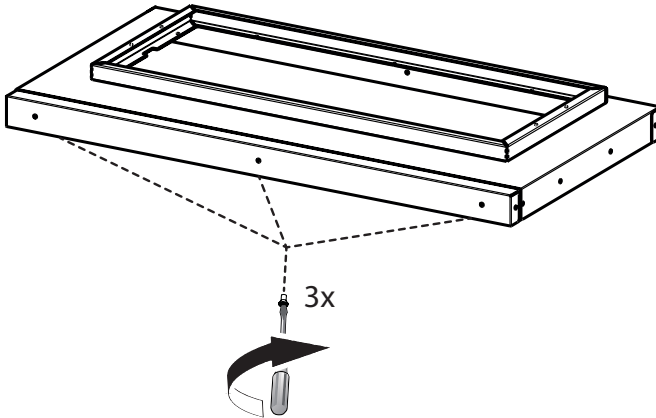
- 5** Align the front trim to the installed portion of the liner. Use the guide hole to locate the correct depth for the application.



- 6** Attach the front trim with 2 screws on each side of the trim.



- 7 Attach the front trim with 3 screws.



INSTALLING THE RANGE HOOD

- 8 Follow the Installation Instructions for your range hood to install the range hood to the liner.

NOTE: Inca Lux and Inca In-Light models will not need additional safety screws to secure the hood to the liner. For all inca model refer to the hood installation manuals to finalize installation.

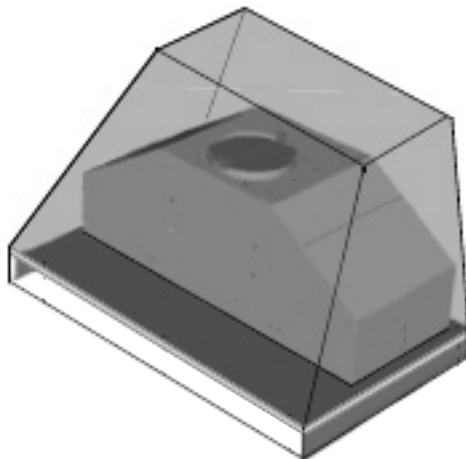


TABLE DES MATIÈRES

Importantes consignes de sécurité	38
Dimensions de la hotte	42
Hauteur requise pour l'installation	43
Pièces	44
Outils requis	46
Méthode de ventilation	47
Préparation du montage de la hotte	49
Installation du support mural	54
Choisir la méthode de ventilation	55
Installation de la ventilation : option 1 - canalisation vers l'arrière	56
Installation de la ventilation : option 2 - ventilation vers le haut	60
Installation de la ventilation : option 3 - avec recyclage sans canalisation	62
Installation du panneau	65
Branchement de alimentation domestique	66
Branchement électrique de la hotte	67
Utilisation des commandes	68
Télécommande (en option)	69
Nettoyage de l'acier inoxydable	69
Entretien des filtres	70
Remplacement des ampoules	71
Garantie	72

IMPORTANTES CONSIGNES DE SÉCURITÉ

**VEUILLEZ LIRE ET CONSERVER LA PRÉSENTE NOTICE AVANT DE
COMMENCER L'INSTALLATION**

CONTENIDO

Instrucciones de seguridad importantes	74
Dimensiones de la campana extractora	78
Requisitos de altura de instalación	79
Piezas	80
Herramientas necesarias	82
Método de ventilación	83
Preparación para montar la campana extractora	85
Instalación del soporte de pared	90
Elección del método de ventilación	91
Conexión de la ventilación: opción 1 - conducto trasero	92
Conexión de la ventilación: opción 2 - ventilación superior	96
Conexión de la ventilación: opción 3 - recirculación sin conducto	98
Instalación del panel de confort	101
Conexión de la alimentación de la casa	102
Conexiones eléctricas de la campana	103
Operación de los controles	104
Control remoto (opcional)	105
Limpieza del acero inoxidable	105
Cuidado de los filtros	106
Reemplazo de bombillas	107
Garantía	108

INSTRUCCIONES DE SEGURIDAD IMPORTANTES

**LEA Y GUARDE ESTAS INSTRUCCIONES ANTES DE COMENZAR A
INSTALAR**

