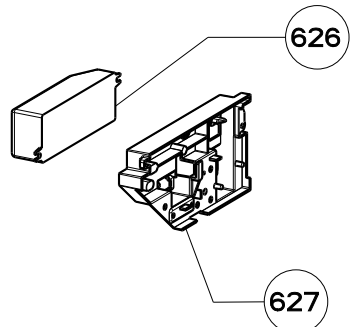
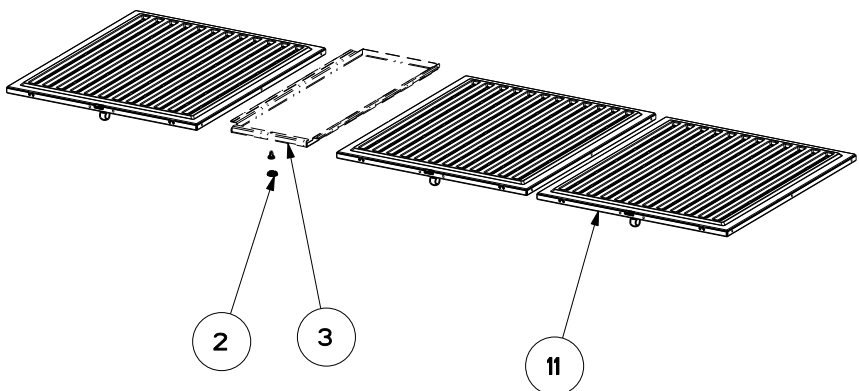
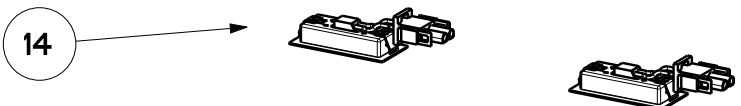
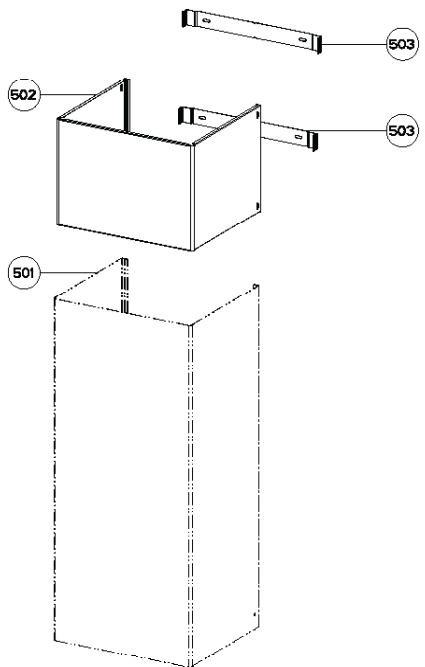
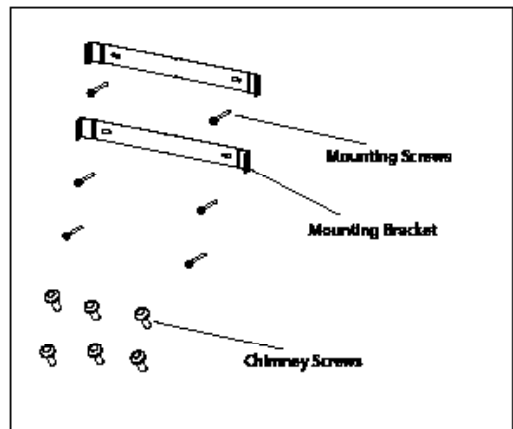


DAMA SSV2 (Starting serial #D)

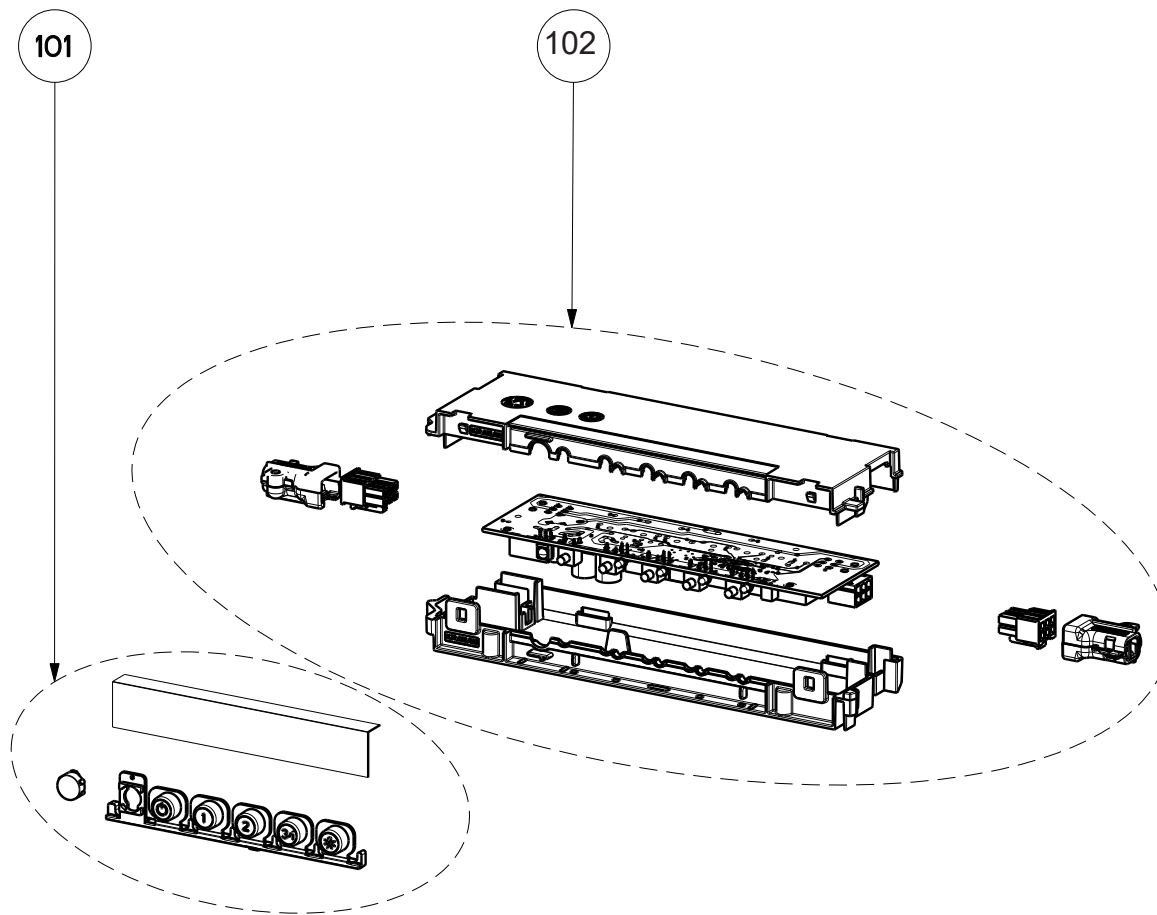
body / chimney components



Key	Model Number	DAMA30SSV2	DAMA36SSV2	Qty Req.
	Description	30 Stainless	36 Stainless	
2	Rubber Stopper	133.0017.608		1
3	Filter Spacer	133.0530.758		1
11	Baffle Filters	133.0018.482	133.0018.482	2 (30"), 3 (36")
14	LED Lights 1 Watt	133.0603.761	133.0603.761	2
501	Lower Chimney	133.0536.765	133.0536.765	1
502	Upper Chimney	133.0173.210	133.0173.210	1
503	Chimney Brackets	133.0046.952	133.0046.952	1
626	Transformer	133.0374.938	133.0374.938	1
627	Transformer Support	133.0182.439	133.0182.439	1
50	Installation Hardware	133.0084.478	133.0084.478	1

DAMA SSV2 (Starting serial #D)

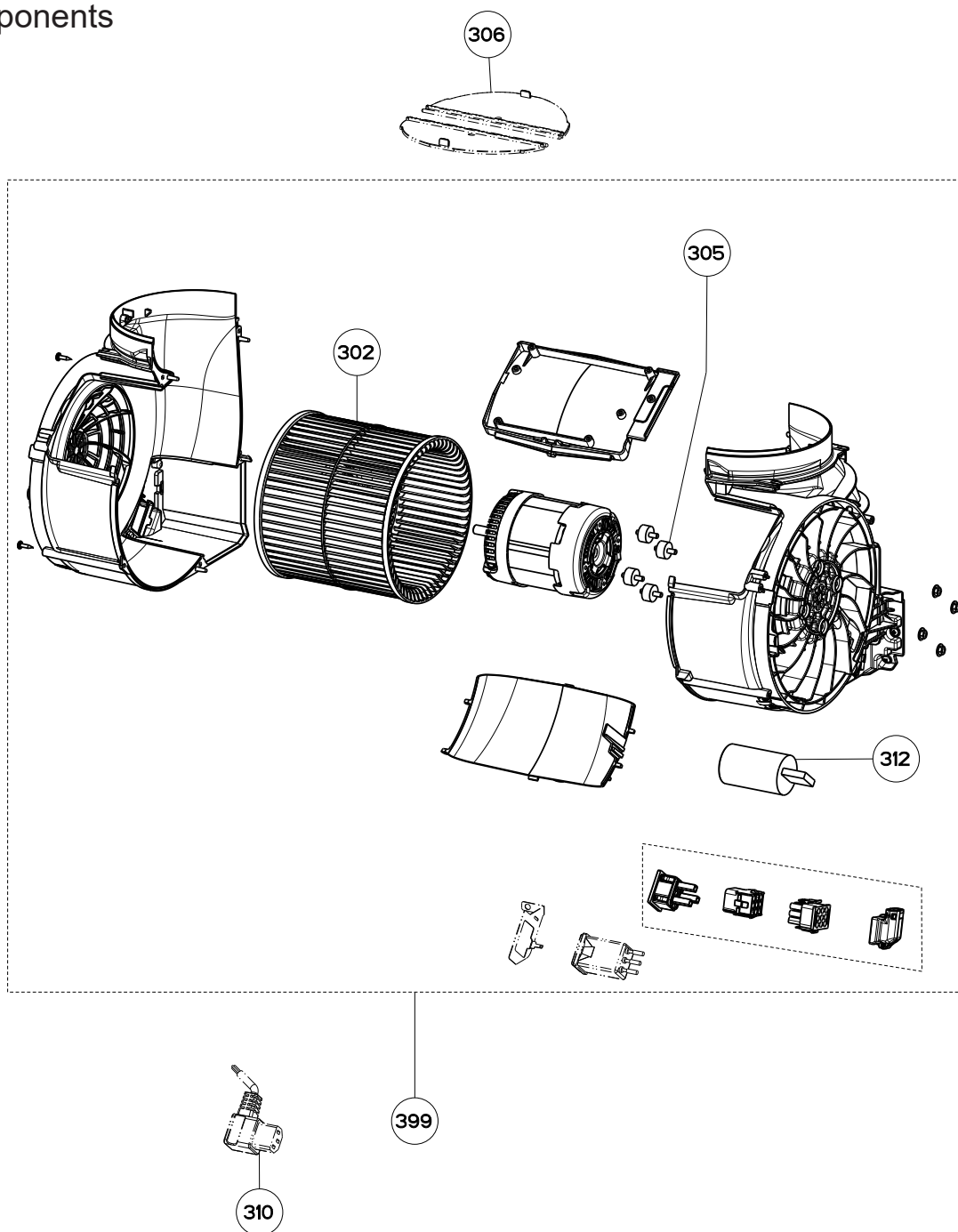
switch components



	Model Number	DAMA30SSV2	DAMA36SSV2	
Key	Description	30 Stainless	36 Stainless	Qty Req.
101	Control Button Kit (Chrome)	133.0568.387	133.0568.387	1
102	Control Board Kit SSV	133.0524.811	133.0524.811	1

DAMA SSV2 (Starting serial #D)

motor components



	Model Number	DAMA30SSV2	DAMA36SSV2	
Key	Description	30 Stainless	36 Stainless	Qty Req.
302	Impeller	133.0681.529	133.0681.529	1
305	Rubber Motor Mount	133.0051.604	133.0051.604	1
306	Damper Flaps (2 included)	133.0522.831	133.0522.831	1
310	Power Cord	133.0063.609	133.0063.609	1
312	Capacitor 25MF	133.0060.648	133.0060.648	1
399	Motor Group	133.0681.528	133.0681.528	1