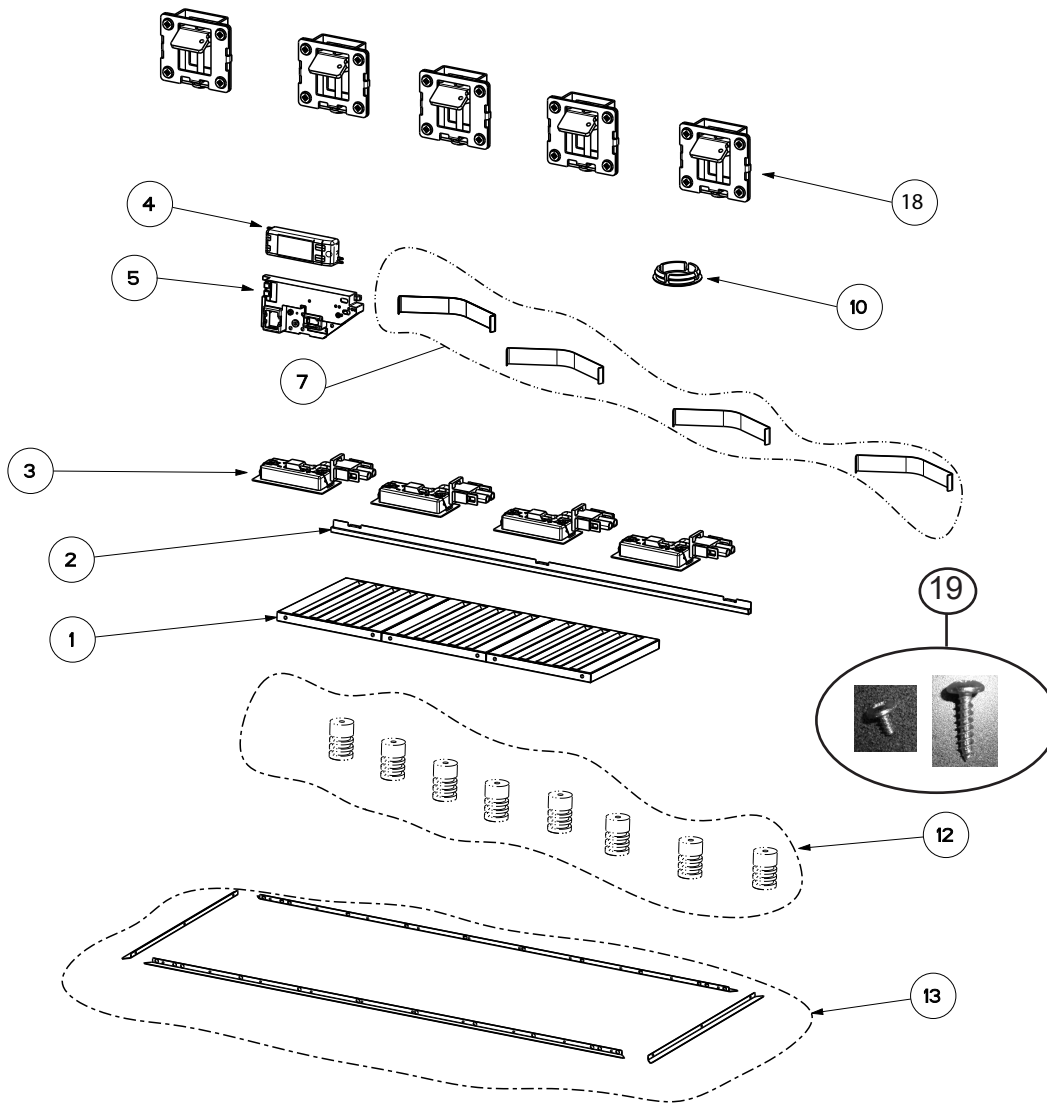


# INCA PRO 18 (Starting serial # D)

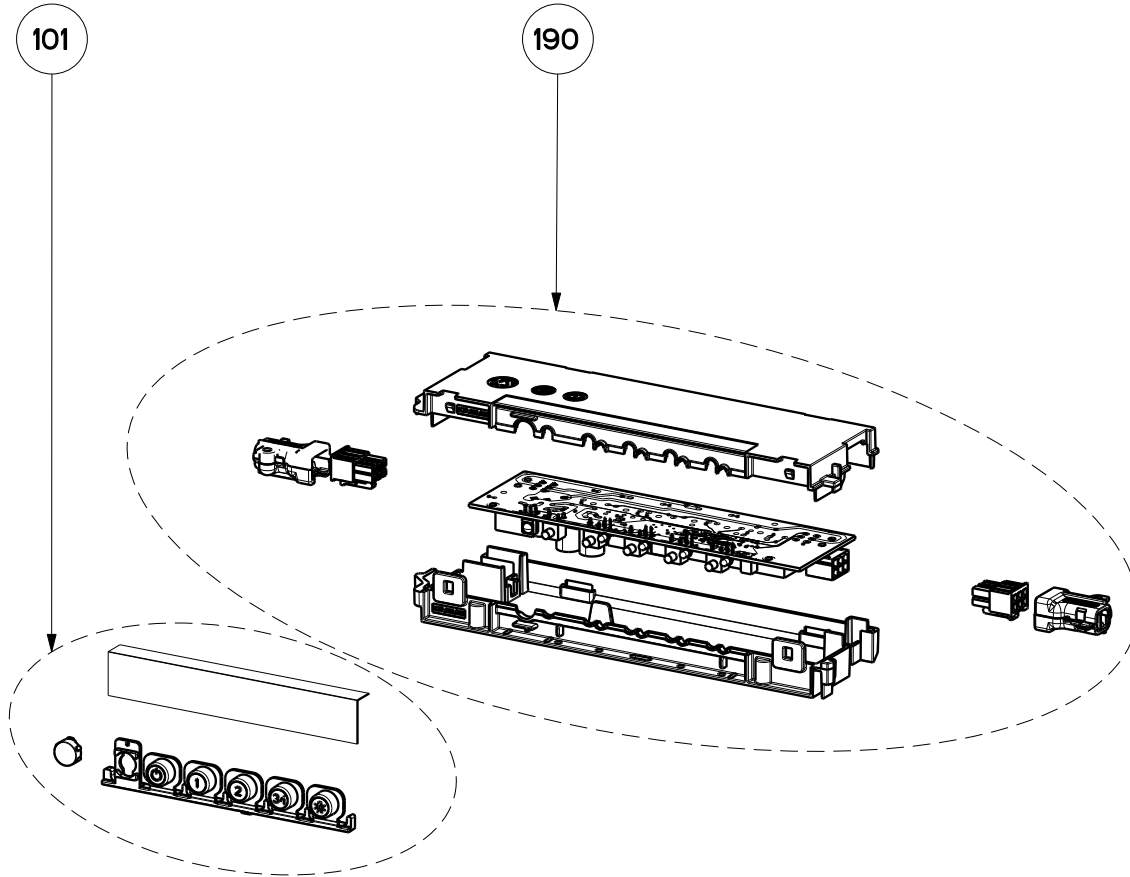
## body components



	Model Number	INPL32SS1200	INPL44SS1200	
Key	Description	32 Stainless	44 Stainless	Qty Req.
1	Baffle Filters	133.0651.962	133.0651.962	3 (32", 4 (44"))
2	Grease Rails	133.0651.966	133.0651.965	1
3	LED Bulbs 1 Watt, S2000	133.0603.761	133.0603.761	2 (32", 4 (44"))
4	Transformer	133.0374.938	133.0374.938	1
5	Transformer Support	133.0182.439	133.0182.439	1
7	Grease Filter Springs (4 pcs.)	133.0176.900	133.0176.900	1
10	Plastic Screw Covers (10 pcs)	133.0017.608	133.0017.608	1
12	Grease Filter Knobs with screws (8 pcs.)	133.0176.905	133.0176.905	1
13	Trim Kit - 4 sides	133.0651.968	133.0651.967	1
18	Hinge Clips Kit (2 in kit)	133.0017.524	133.0017.524	3
19	Trim Kit Hardware Screws	133.0520.950	133.0520.950	1

INCA PRO 18 (Starting serial # D)

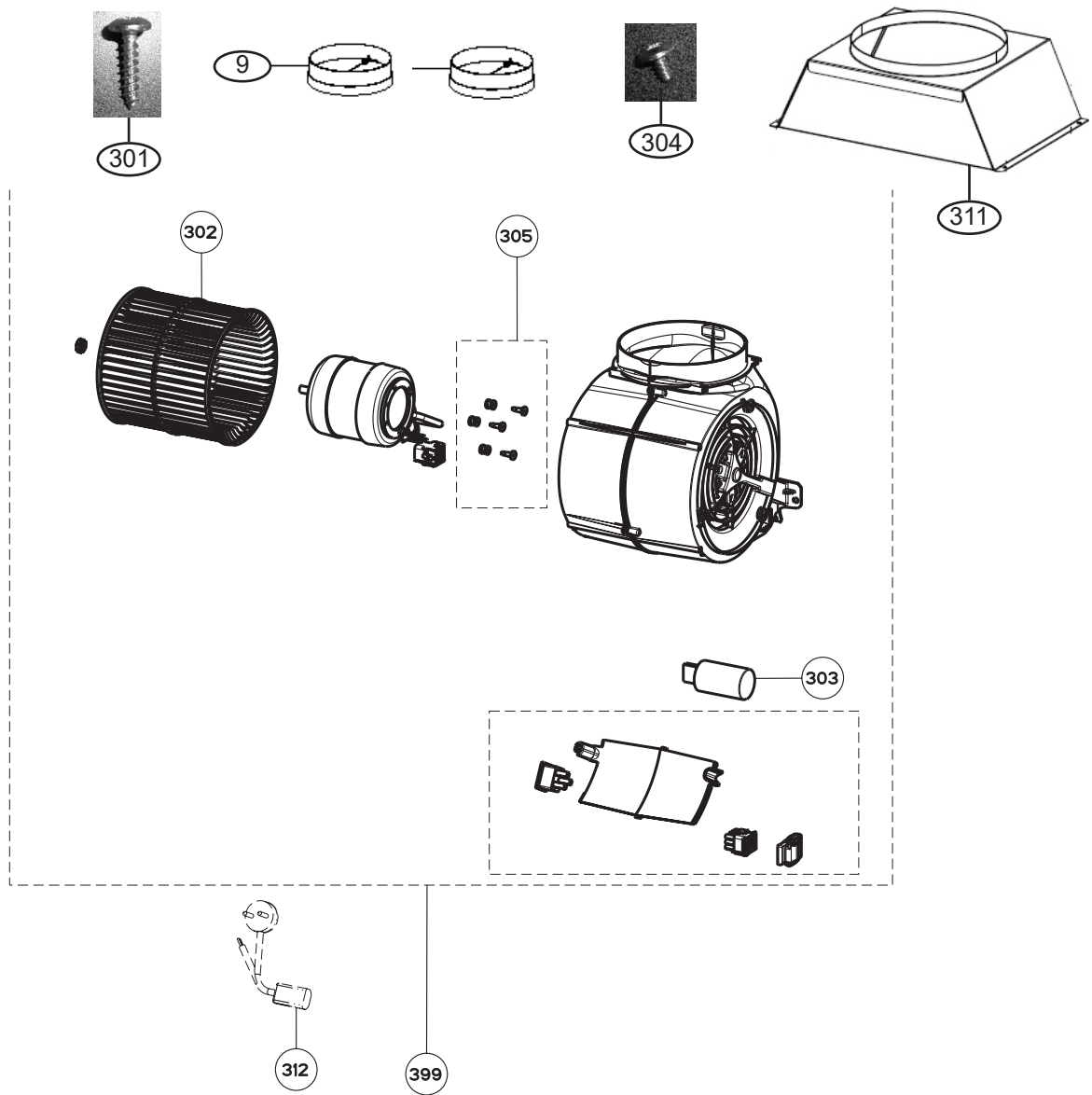
control board components



	Model Number	INPL32SS1200	INPL44SS1200	
Key	Description	32 Stainless	44 Stainless	Qty Req.
101	Control Buttons Chrome	133.0568.387	133.0568.387	1
190	Control Board	133.0524.811	133.0524.811	1

# INCA PRO 18 (Starting serial # D)

## motor components



	Model Number	INPL32SS1200	INPL44SS1200	
Key	Description	32 Stainless	44 Stainless	Qty Req.
9	Damper	133.0055.994	133.0055.994	2
301	Duct Plate Screws	133.0189.390	133.0189.390	1
302	Impeller	133.0151.809	133.0151.809	1
303	Capacitor 25 MF	133.0060.648	133.0060.648	1
304	Motor Installation Screws	133.0189.422	133.0189.422	2
305	Rubber Motor Mounts	133.0151.811	133.0151.811	1
311	10" Duct Transition	133.0189.429	133.0189.429	1
312	Power Cord	133.0381.468	133.0381.468	1
399	Pro Motor (991.0567.040 on motor sticker)	133.0567.430	133.0567.430	1
399	Pro Motor (991.0572.946 on motor sticker)	133.0574.374	133.0574.374	1

Note: The motors have two different part numbers, please check the sticker on the blower