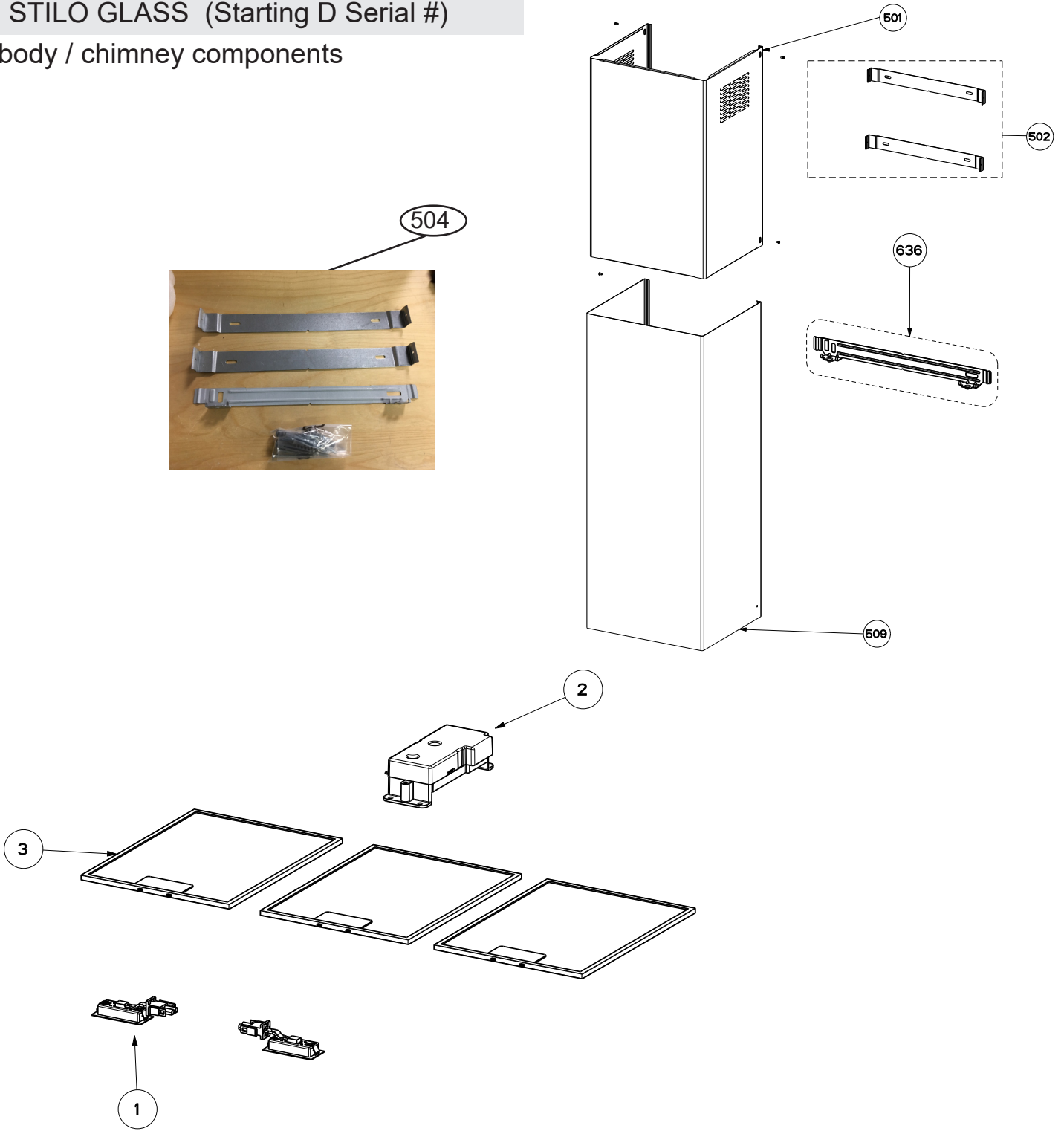


STILO GLASS (Starting D Serial #)

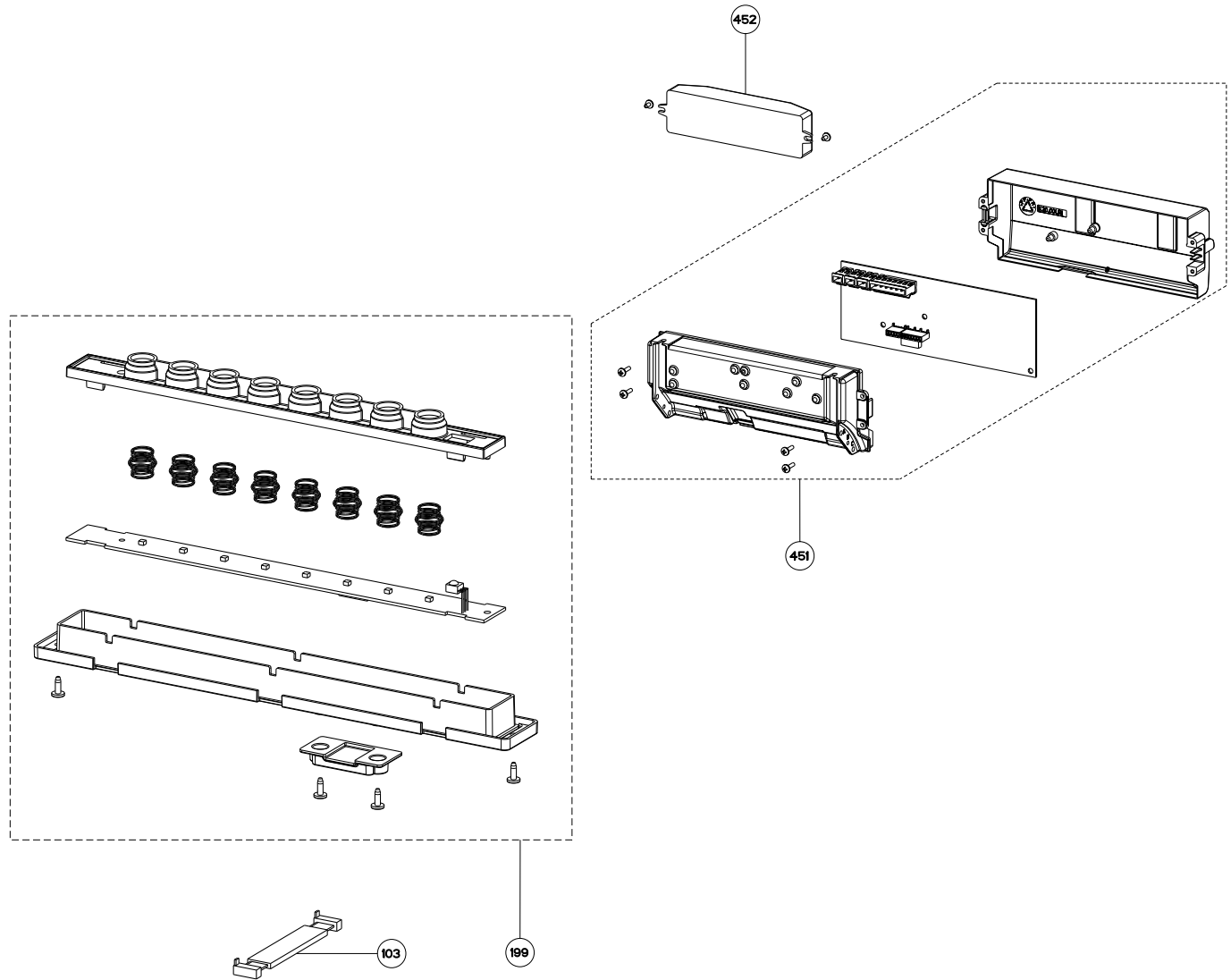
body / chimney components



	Model Number	STGL30SSV	STGL36SSV	
Key	Description	30 Stainless	36 Stainless	Qty Req.
1	LED Lights 1 Watt	133.0603.761	133.0603.761	2
2	WiFi and lighting control board	133.0693.429	133.0693.429	1
3	Grease Filters	133.0600.389	133.0588.960	2 (30"), 3 (36")
501	Upper Chimney	133.0433.856	133.0433.856	1
502	Chimney Brackets	133.0361.373	133.0361.373	1
509	Lower Chimney	133.0326.976	133.0326.976	1
636	Canopy Wall Bracket	133.0200.466	133.0200.466	1
504	Hardware Kit	133.0474.335	133.0474.335	1

STILO GLASS (Starting D Serial #)

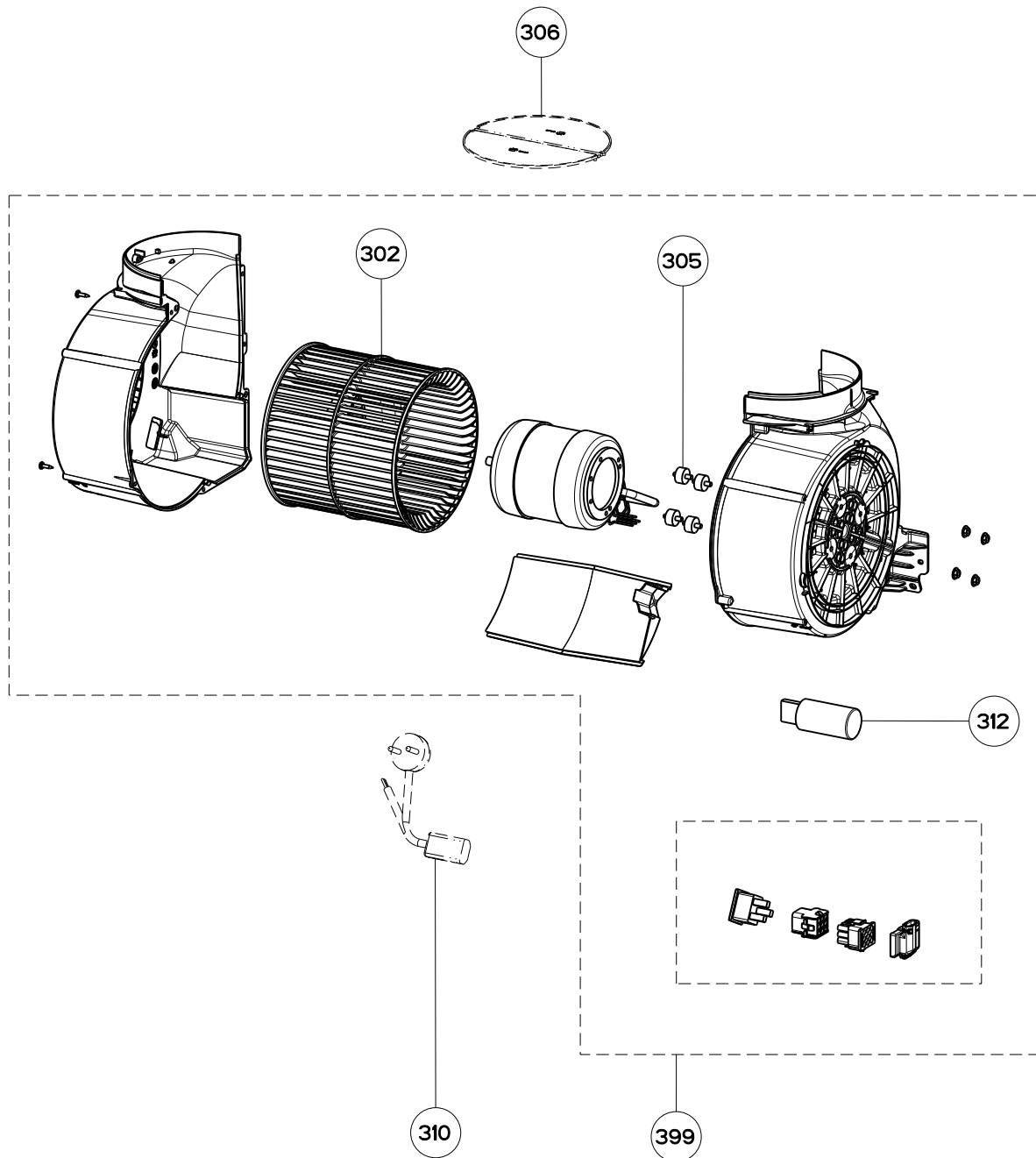
switch components



	Model Number	STGL30SSV	STGL36SSV	
Key	Description	30 Stainless	36 Stainless	Qty Req.
101	Ribbon Connector	133.0016.845	133.0016.845	1
199	Control button board	133.0383.373	133.0383.373	1
451	Control Board (main)	133.0682.863	133.0682.863	1
452	Transformer	133.0374.938	133.0374.938	1

STILO 2022 SSV (Starting C Serial #)

motor components



	Model Number	STGL30SSV	STGL36SSV	
Key	Description	30 Stainless	36 Stainless	Qty Req.
302	Impeller	133.0681.529	133.0681.529	1
305	Rubber Motor Mount (10 Included)	133.0051.604	133.0051.604	1
306	Damper Flaps (2 included)	133.0522.831	133.0522.831	1
310	Power Cord	133.0381.468	133.0381.468	1
312	Capacitor 25MF	133.0060.648	133.0060.648	1
399	Motor Group	133.0681.528	133.0681.528	1