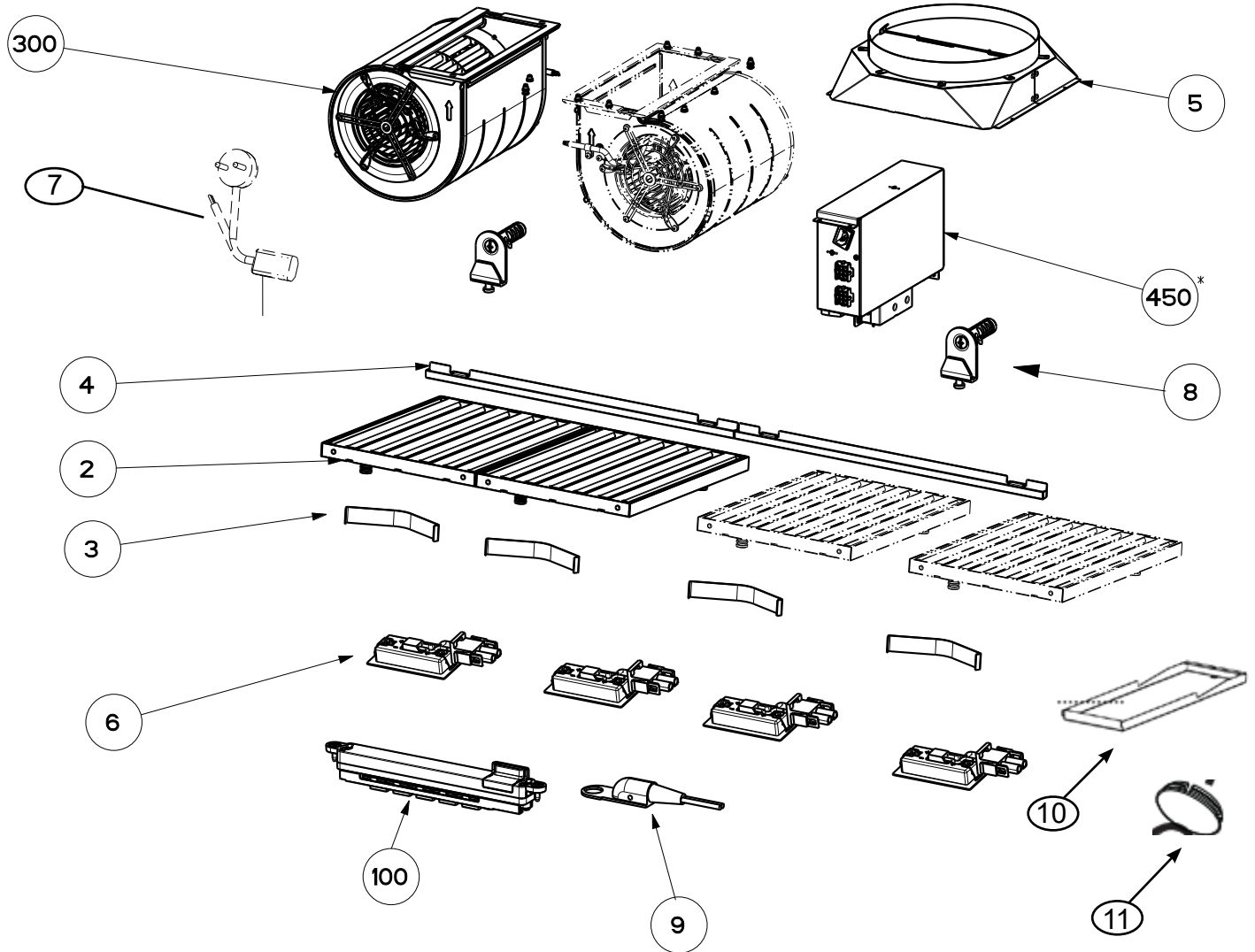


BREVA PRO 18 (Starting C Serial #) all components



	Model Number	BREV308SS600	BREV368SS600	BREV48SS1200	
key	description	30 Stainless	36 Stainless	48 Stainless	Qty Req.
2	Baffle grease filters with knobs	133.0627.912	133.0627.912	133.0627.912	2 (30"), 3 (36"), 4 (48")
3	Grease Filter Springs	133.0686.928	133.0686.928	133.0686.928	2 (30"), 3 (36"), 4 (48")
4	Grease Rail	133.0686.584	133.0686.494	133.0686.495	2
5 *	8 inch damper and transition	133.0643.849	133.0643.849		1
5 *	10 inch damper and transition		133.0643.850	133.0643.850	1
6	LED Lights	133.0603.761	133.0603.761	133.0603.761	2 (30"), 3 (36"), 4 (48")
7	Power Cord	133.0351.595	133.0351.595	133.0351.595	1
8	Installation Brackets	133.0686.496	133.0686.496	133.0686.496	2
9	Heat sensor	133.0652.762	133.0652.762	133.0652.762	1
10	Filter Spacer	133.0694.061	NA	NA	1
11	Spacer cover / stopper	133.0017.608	NA	NA	1
100	Control switch Kit	133.0686.582	133.0686.582	133.0686.582	1
300 *	Pro Motor (Breva)- see note!	133.0627.911	133.0627.911	133.0627.911	1 (30", 36"), 2 (36", 48")
450	Main Control Board	133.0686.583	133.0686.583	133.0686.583	1

* Important Note: Key 5 and 300 - BREV368SS600 may have one or two blowers (if an extra blower kit was purchased). Inspect above the grease filters for number of blowers. If 1 blower use 133.0643.849 for damper, 2 blowers use 133.0643.850 for damper. Determine if 1 or 2 blowers needs replacement (key 300).